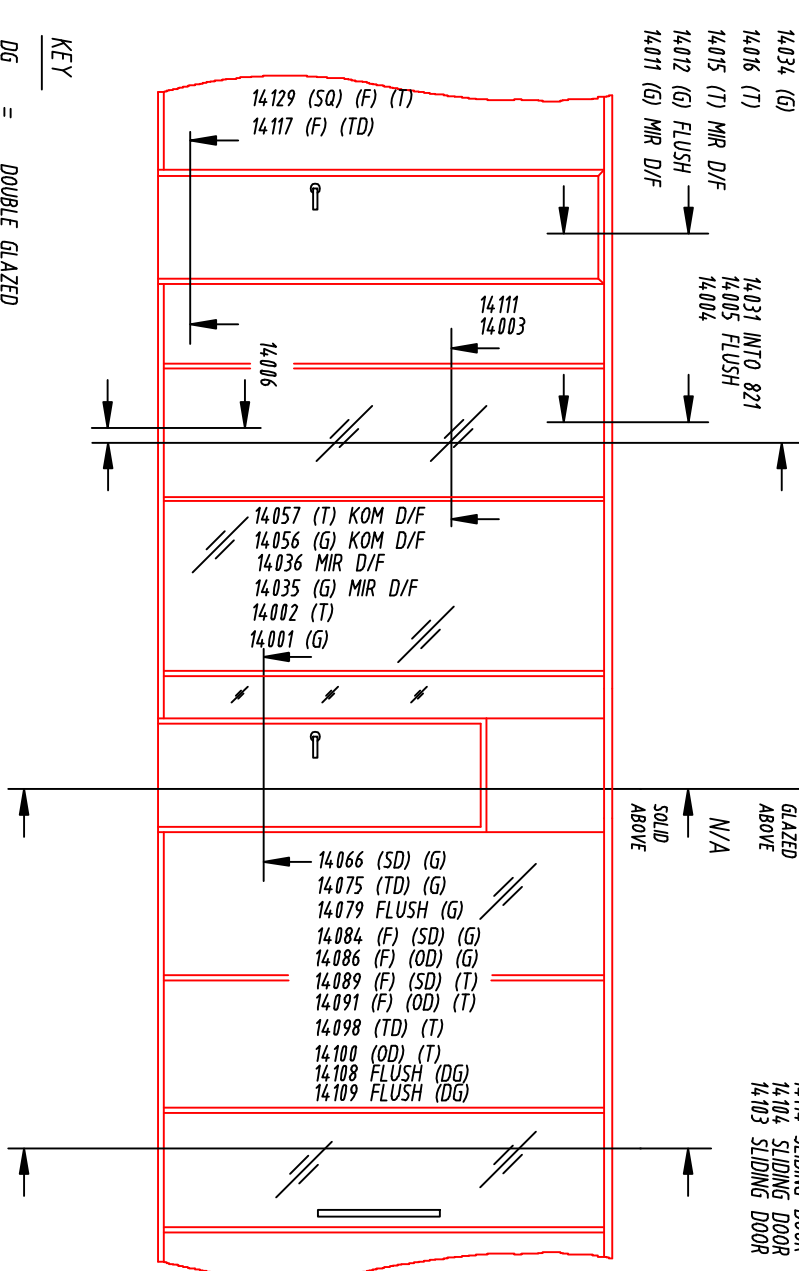


PANEL OPTIONS = NONE  
 GLAZING OPTIONS = SINGLE OFFSET OR DOUBLE  
 SKIRTING OPTIONS = NONE

- 14.130 (SQ) (F) (T)
- 14.128 (F) (T)
- 14.127 (OD) (T)
- 14.123 (DF) (SQ) (T)
- 14.116 (F) (T)
- 14.115 (F) (TD)
- 14.092 (F) (OD) (T)
- 14.090 (F) (DF) (T)
- 14.080 (SQ) (T)
- 14.078 FLUSH DG
- 14.072 (SQ) (G)
- 14.051 (T) KOM D/F
- 14.048 (G) KOM D/F
- 14.034 (G)
- 14.016 (T)
- 14.015 (T) MIR D/F
- 14.012 (G) FLUSH
- 14.011 (G) MIR D/F
- 14.132 (SQ) (T)
- 14.096 (SQ) (T)
- 14.094 (F) (OD) (DH) (G)
- 14.093 (F) (SQ) (DH) (G)
- 14.085 (F) (OD) (G)
- 14.083 (F) (SD) (G)
- 14.073 (SD) (G)
- 14.050 (T) KOM D/F
- 14.049 (G) KOM D/F
- 14.047 (G) KOM D/F
- 14.039 (G)
- 14.038 (T)
- 14.014 (T) MIR D/F
- 14.013 (G) MIR D/F
- 14.010 (G)
- 14.009 (G) MIR D/F
- 14.125 (DF) (OD) (G)
- 14.124 (DF) (OD) (G)
- 14.122 (DF) (SQ) (G)
- 14.114 SLIDING DOOR
- 14.104 SLIDING DOOR
- 14.103 SLIDING DOOR



- KEY
- DG = DOUBLE GLAZED
  - DH = DEFLECTION HEAD
  - F = FIRE RATED
  - G = GLASS
  - KOM = KOMFIRE 75
  - MIR = MIRAGE
  - OD = OFFSET FRAME
  - R = RADIUS CORNER
  - SD = SQUARE DOOR FRAME
  - T = TIMBER
  - TD = TIMBER DOOR FRAME

ISSUE	DESCRIPTION OF CHANGE	DATE	TITLE
		27.02.09	JUNCTION/SECTION LAYOUT FOR
			DOUBLE GLAZED POLAR PARTITION SYSTEM
MATERIAL :		CHKD	DRAWING No
FINISH :		SCALE	14000/L
			ISSUE
			7

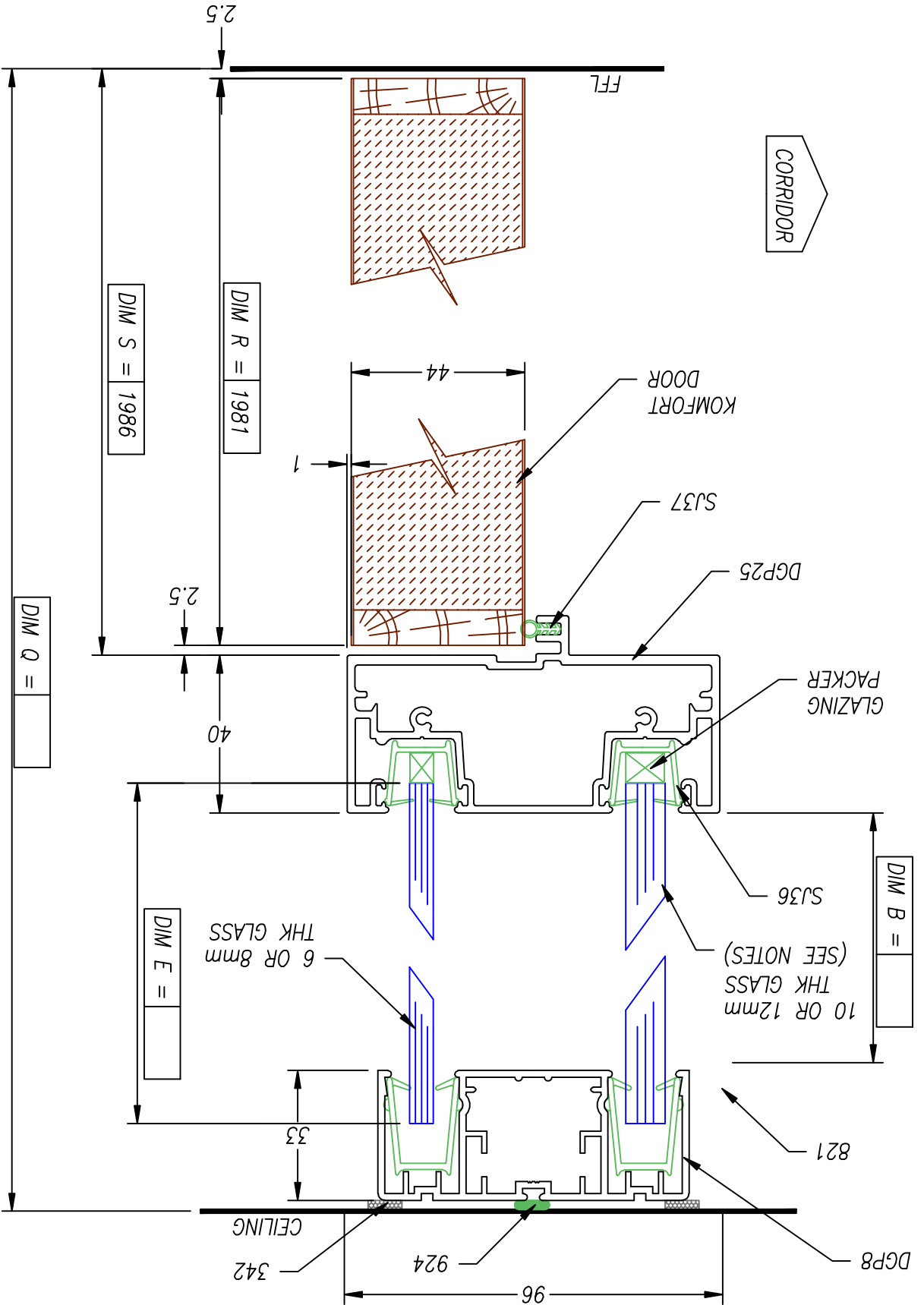
'N' BUILDING REGULATIONS  
BS 6262 & DOCUMENT

ALL GLASS MUST CONFORM TO

THIS IS NON FIRE PERFORMANCE ASSEMBLY

DIM Q = CEILING HEIGHT  
DIM R = DOOR HEIGHT  
DIM B = DIM Q - (DIM R + 78)  
DIM E = DIM B + 20  
DIM S = DIM R + 5

ALL DIMENSIONS ARE NOMINAL & IN mm



© COPYRIGHT & DESIGN 2007 PROPERTY OF  
KOMFORT WORKSPACE Pte  
WHITTLE WAY, CRAWLEY, WEST SUSSEX, RH10 9RT  
TEL : 01293 592500 WEB www.komfort.com  
DO NOT SCALE IF IN DOUBT ASK

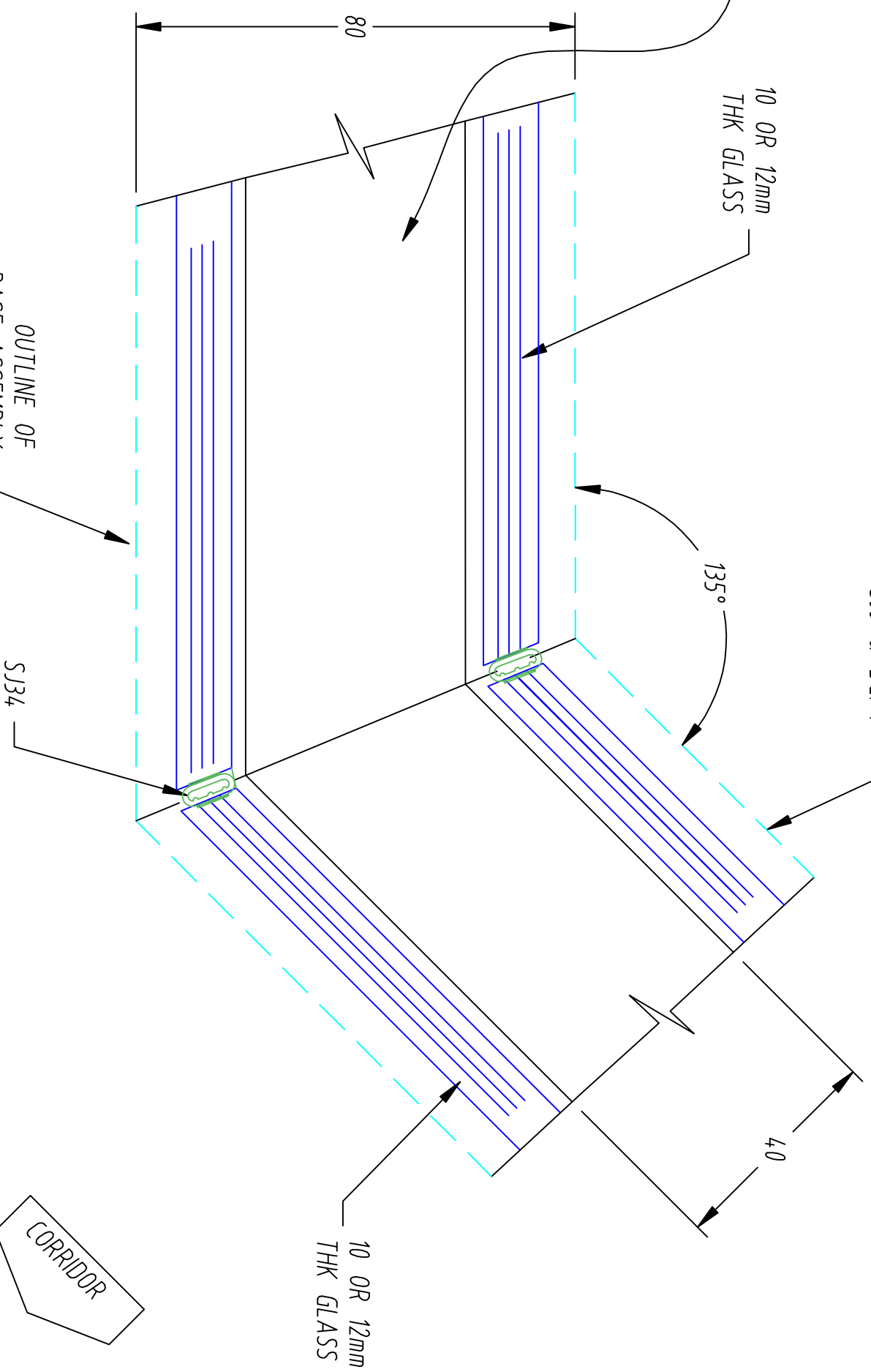
ISSUE	DESCRIPTION OF CHANGE	DATE	DATE	TITLE	ISSUE
		28/04/10	SSG	POLAR DOUBLE GLAZED TIMBER DOOR WITH GLAZED ABOVE USING DCP25 DOOR FRAME & DCP1 HEAD	1
MATERIAL :		CHKD		DRAWING No	
FINISH :		SCALE	NTS	14132	

CAVITY WILL ACCEPT  
15 & 25mm  
VENETIAN BLINDS

10 OR 12mm  
THK GLASS

OUTLINE OF  
BASE ASSEMBLY  
SJ3 & DGP4

135°



THIS IS A NON FIRE PERFORMANCE ASSEMBLY

ALL GLASS MUST CONFORM TO  
BS 6262 & DOCUMENT  
'N' BUILDING REGULATIONS

DOUBLE GLAZED GLASS COMBINATIONS  
GIVEN ARE USED TO A MAXIMUM HEIGHT OF 3000mm.

MANIFESTATION 1500mm FROM THE FINISHED  
FLOOR LEVEL MUST BE INSTALLED IN ACCORDANCE  
WITH DOCUMENT 'N' BUILDING REGULATIONS  
WHEN BLINDS ARE NOT INCLUDED

ALL DIMENSIONS ARE IN mm & NOMINAL

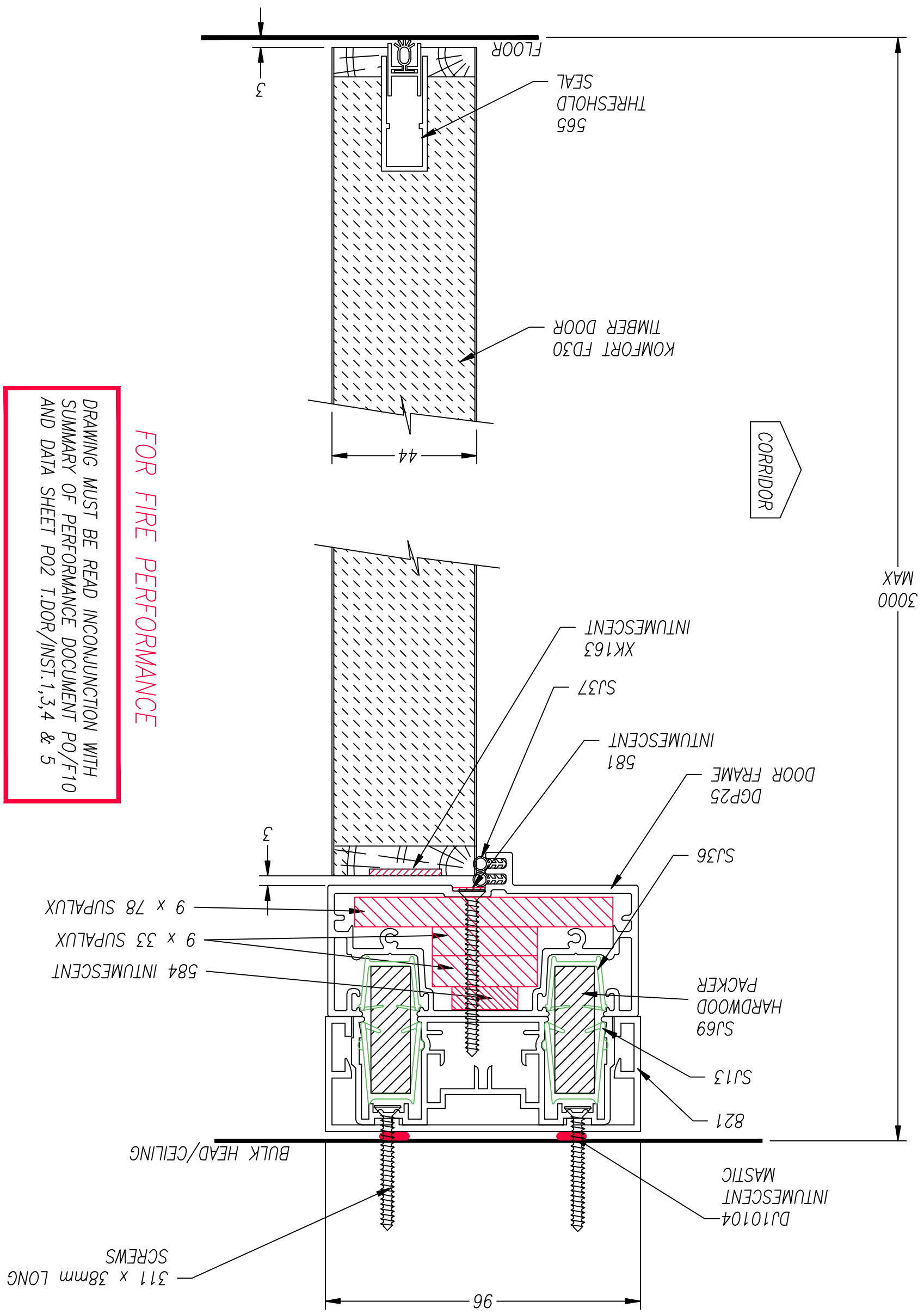
© COPYRIGHT & DESIGN 2007 PROPERTY OF

KOMFORT WORKSPACE Plc  
WHITTLE WAY, CRAWLEY, WEST SUSSEX, RH10 9RT  
TEL : 01293 592500 WEB www.komfort.com  
DO NOT SCALE IF IN DOUBT ASK



ISSUE	DESCRIPTION OF CHANGE	DATE	TITLE
		13:04:10	POLAR DOUBLE GLAZED
			135 DEG CORNER BUBBLE SEAL DETAIL
MATERIAL :		CHKD	DRAWING No
FINISH :		SCALE	14131
		NTS	ISSUE
			1

ALL DIMENSIONS ARE NOMINAL & IN mm



**FOR FIRE PERFORMANCE**

DRAWING MUST BE READ INCONJUNCTION WITH SUMMARY OF PERFORMANCE DOCUMENT PO/F10 AND DATA SHEET P02 T.DOR/INST.1,3,4 & 5



© COPYRIGHT & DESIGN 2007 PROPERTY OF  
 KOMFORT WORKSPACE Plc  
 WHITTLE WAY, CRAWLEY, WEST SUSSEX, RH10 9RT  
 TEL : 01293 592500 WEB www.komfort.com  
 DO NOT SCALE IF IN DOUBT ASK

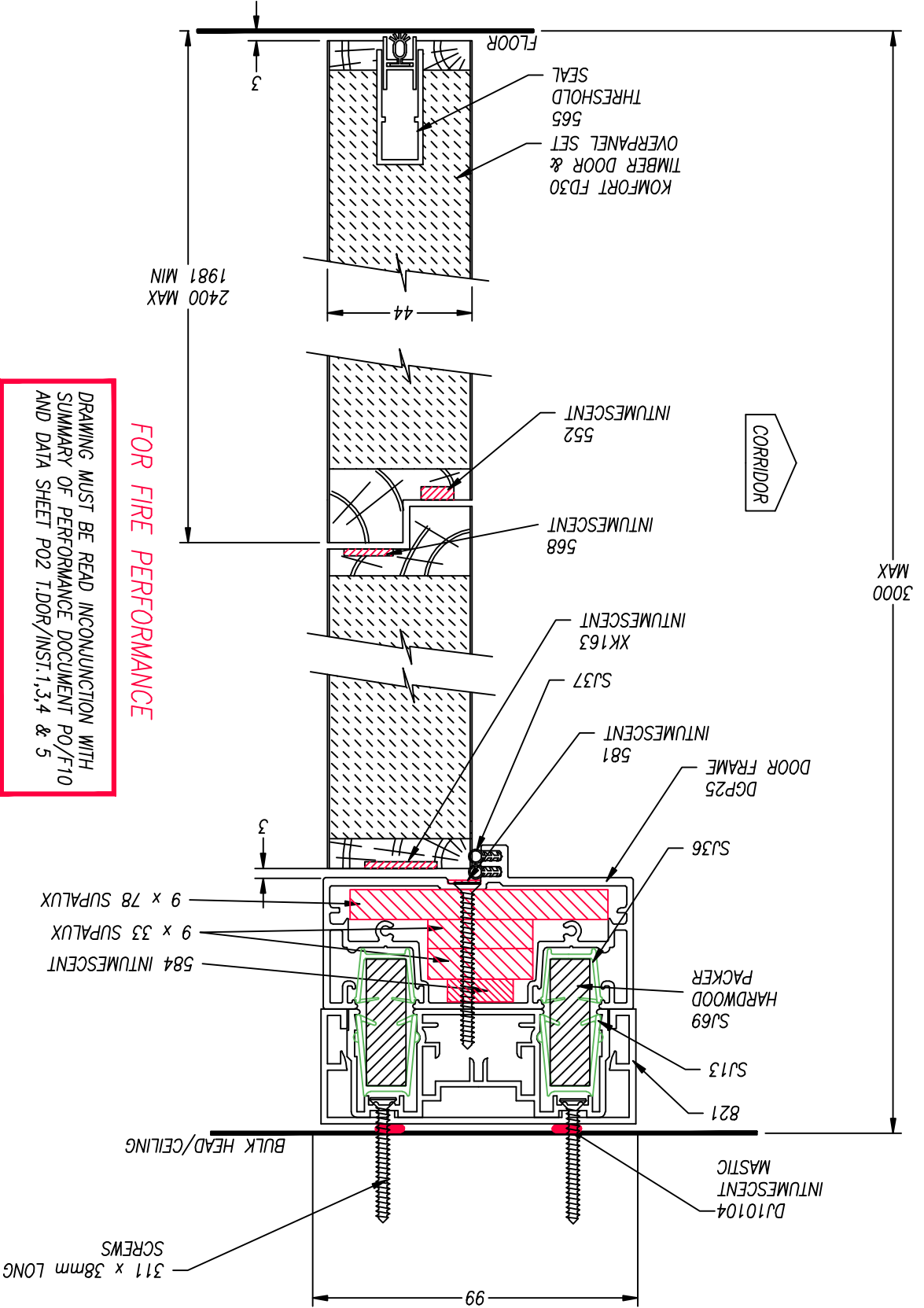
ISSUE	DESCRIPTION OF CHANGE	DATE	06:04:10	TITLE POLAR DOUBLE GLAZED 30min FIRE PERFORMANCE TIMBER DOOR VERTICAL DETAIL DGP25 DOOR FRAME	ISSUE
MATERIAL :		DRAWN	SSG	DRAWING No	1
FINISH :		CHKD	BJP	14130	
		SCALE	NTS		



ALL DIMENSIONS ARE NOMINAL & IN mm

**FOR FIRE PERFORMANCE**

DRAWING MUST BE READ IN CONJUNCTION WITH SUMMARY OF PERFORMANCE DOCUMENT PO/F10 AND DATA SHEET P02 T.DOR/INST.1,3,4 & 5

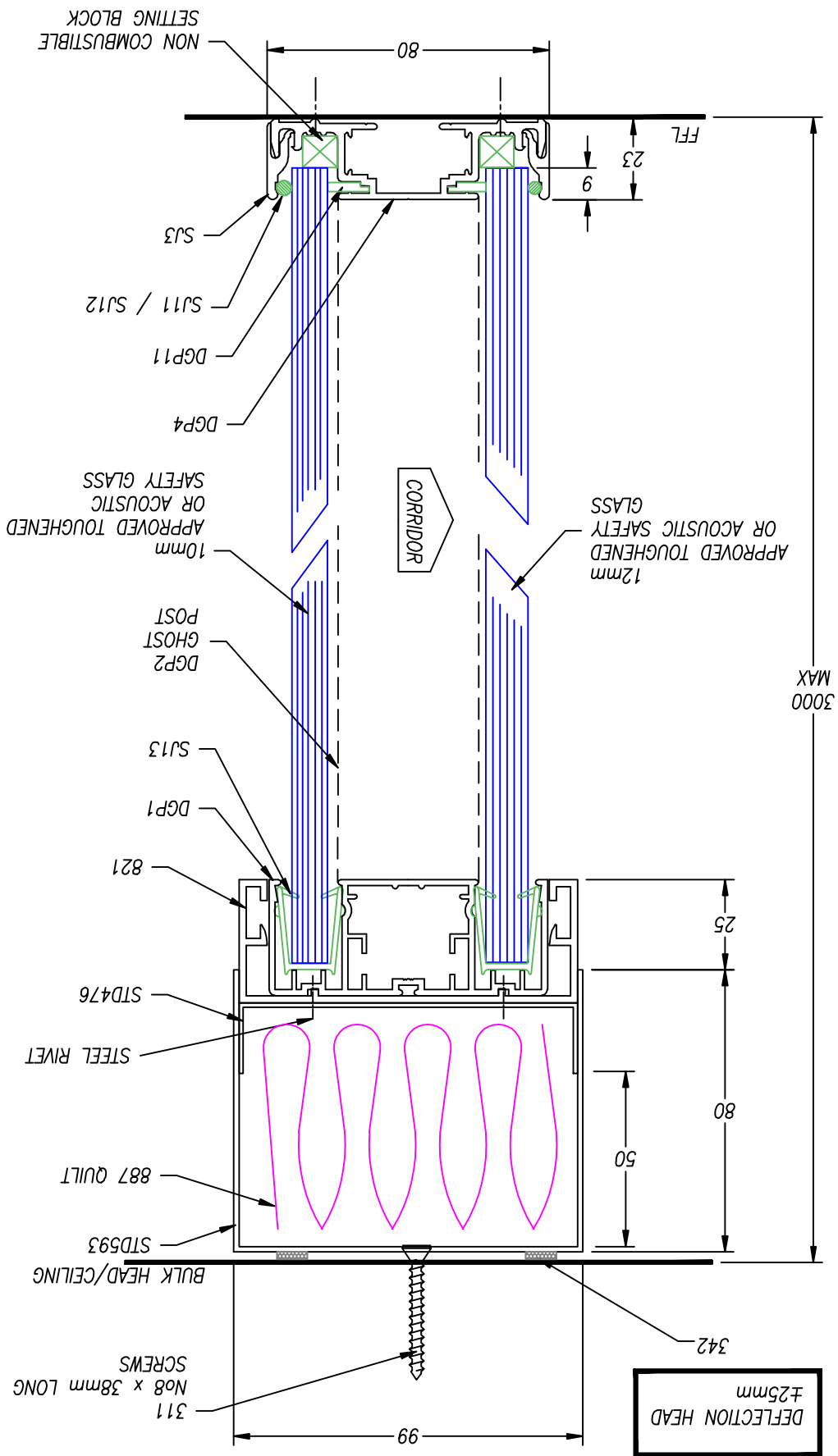


© COPYRIGHT & DESIGN 2007 PROPERTY OF  
 KOMFORT WORKSPACE Pte  
 WHITTLE WAY, CRAWLEY, WEST SUSSEX, RH10 9RT  
 TEL : 01293 592500 WEB www.komfort.com  
 DO NOT SCALE IF IN DOUBT ASK

ISSUE	DESCRIPTION OF CHANGE	DATE	DRAWN	SSG	TITLE POLAR DOUBLE GLAZED 30min FIRE PERFORMANCE TIMBER DOOR & OVER PANEL VERTICAL DETAIL DGP25 DOOR FRAME
MATERIAL :			CHKD	BJP	DRAWING No
FINISH :			SCALE	NTS	14128
					ISSUE
					1

ALL DIMENSIONS ARE NOMINAL & IN mm

ALL GLASS MUST CONFORM TO BS 6262, BS6206 & DOCUMENT 'N' BUILDING REGULATIONS

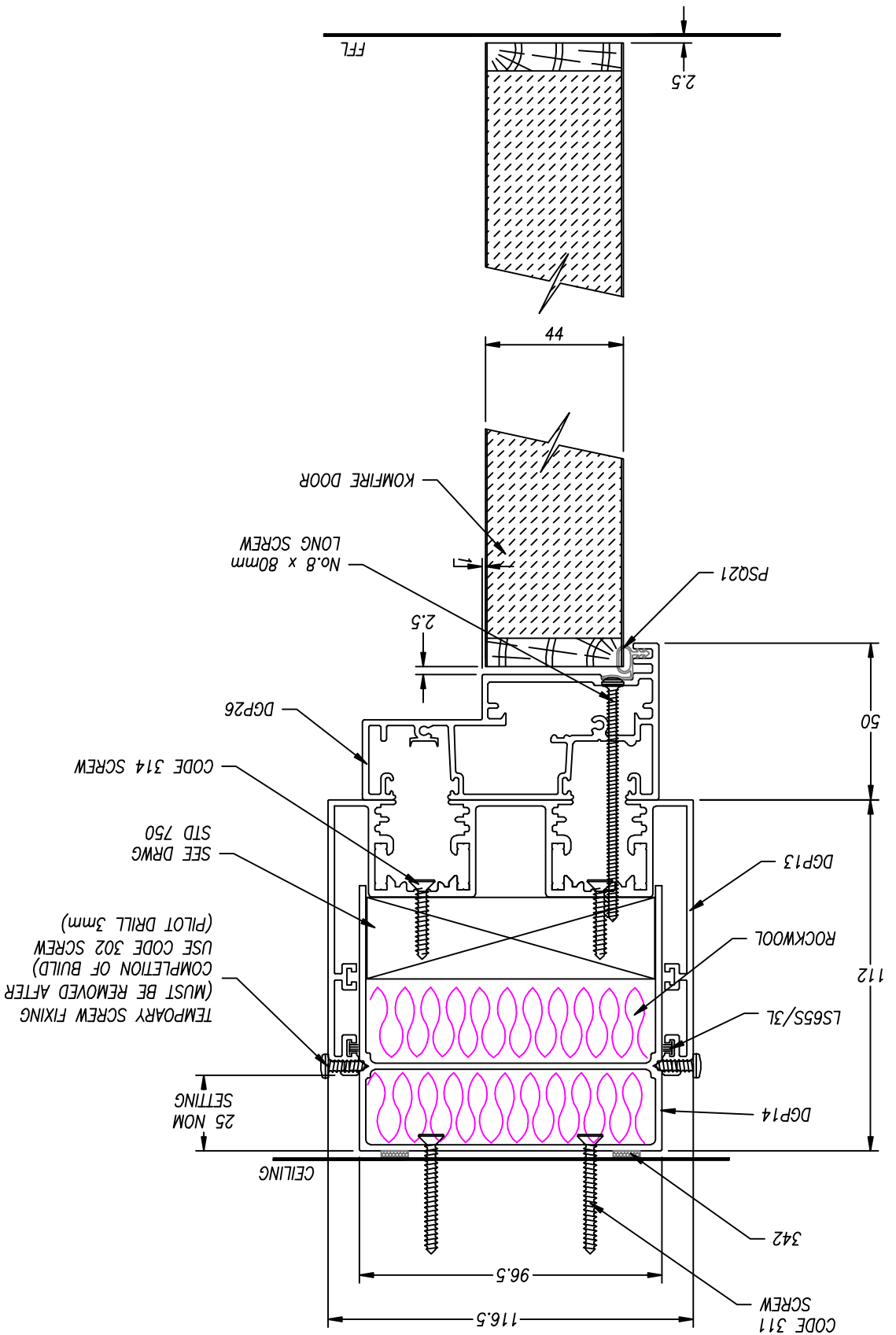


© COPYRIGHT & DESIGN 2007 PROPERTY OF  
KOMFORT WORKSPACE Pte  
WHITTLE WAY, CRAWLEY, WEST SUSSEX, RH10 9RT  
TEL : 01293 592500 WEB www.komfort.com  
DO NOT SCALE IF IN DOUBT ASK

ISSUE	DESCRIPTION OF CHANGE	DATE	TITLE
MATERIAL :		16:11:09	POLAR DOUBLE GLAZED
FINISH :		SSG	DEFLECTION HEAD & GHOST POST
		CHKD	VERTICAL DETAIL
		SCALE	DRAWING No
		NTS	14126
			ISSUE
			1

NON FIRE PERFORMANCE ONLY

ALL DIMENSIONS ARE NOMINAL & IN mm



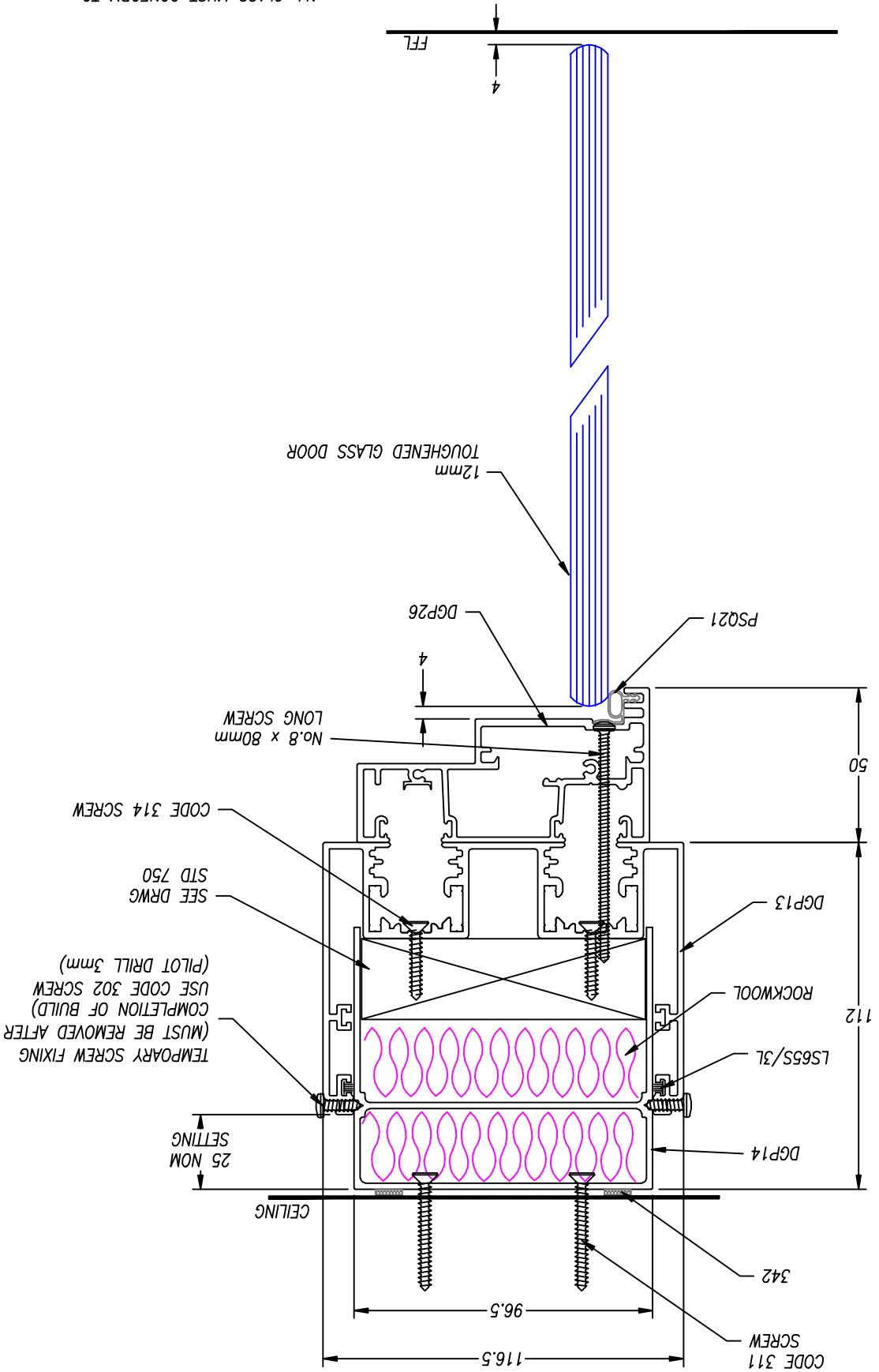
© COPYRIGHT & DESIGN 2009 PROPERTY OF  
 KOMFORT WORKSPACE Pte  
 WHITTLE WAY, CRAWLEY, WEST SUSSEX, RH10 9RT  
 TEL : 01293 592500 WEB www.komfort.com  
 DO NOT SCALE IF IN DOUBT ASK

ISSUE	DESCRIPTION OF CHANGE	DATE	16:11:09	TITLE	DOUBLE GLAZED POLAR DEFLECTION HEAD DETAIL ±25mm TIMBER DOOR WITH DOOR FRAME (DGP26) VERTICAL SECTION
MATERIAL :		DRAWN	SSG	DRAWING No	14125
FINISH :		CHKD	BJP	ISSUE	1
		SCALE	NTS		

NON FIRE PERFORMANCE ONLY

ALL GLASS MUST CONFORM TO  
BS 6262 & DOCUMENT  
'N' BUILDING REGULATIONS

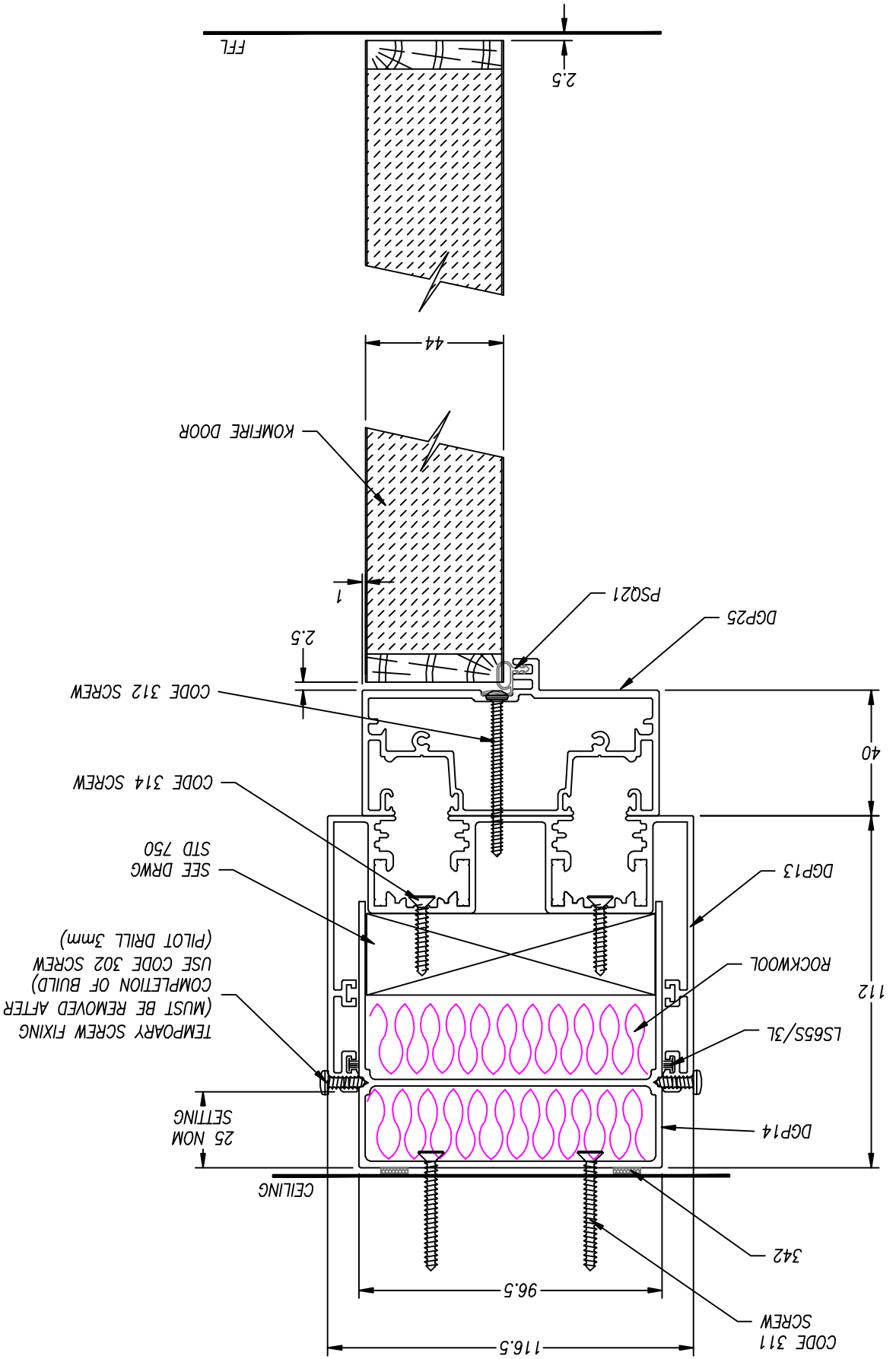
ALL DIMENSIONS ARE NOMINAL & IN mm



ISSUE	DESCRIPTION OF CHANGE	DATE	16:11:09	TITLE	DOUBLE GLAZED POLAR DEFLECTION HEAD DETAIL ±25mm GLASS DOOR WITH DOOR FRAME (DGP26) VERTICAL SECTION
MATERIAL :		DRAWN	SSG	DRAWING No	14124
FINISH :		CHKD	BJP	ISSUE	1
		SCALE	NTS		

NON FIRE PERFORMANCE ONLY

ALL DIMENSIONS ARE NOMINAL & IN mm



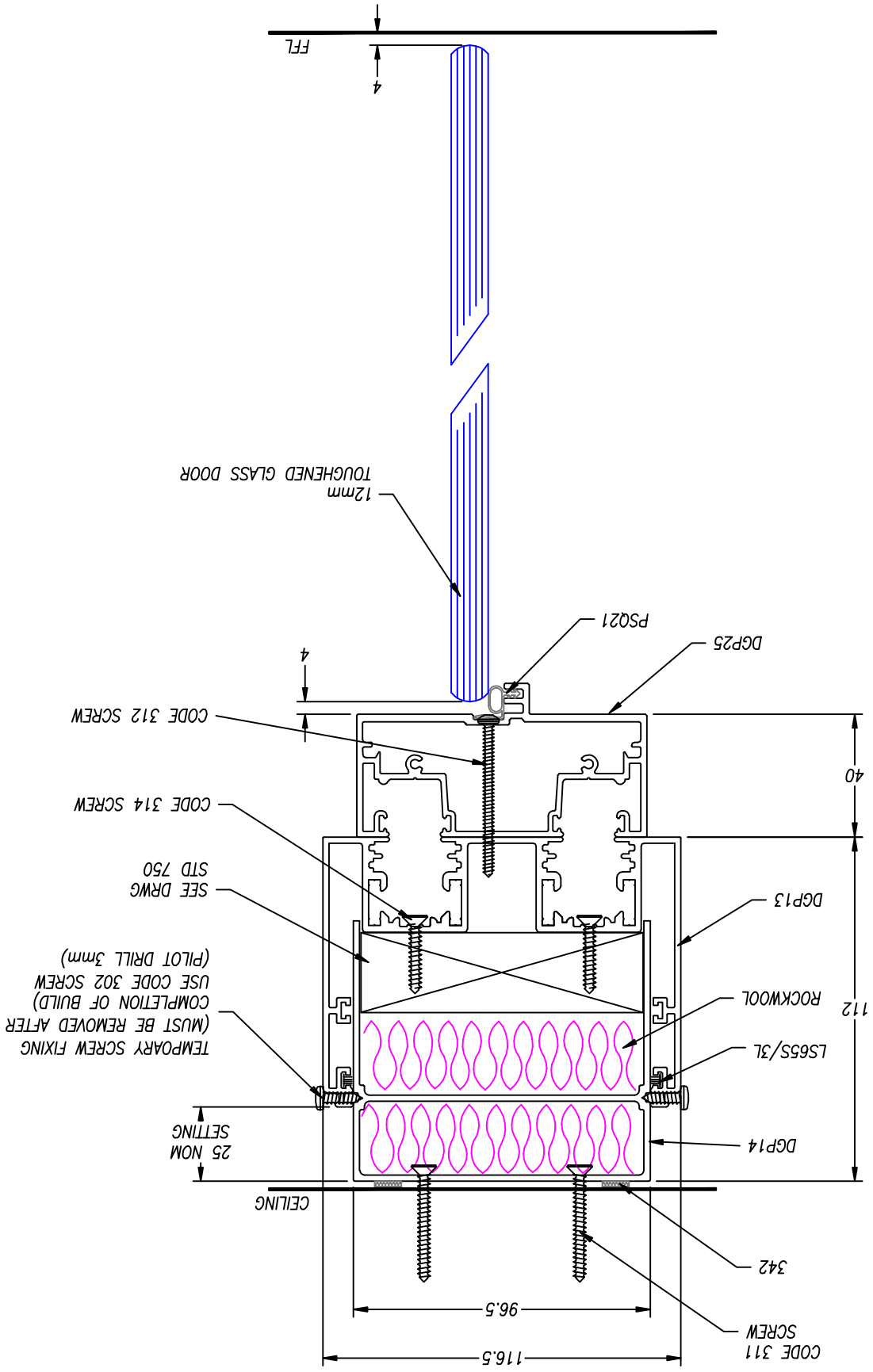
© COPYRIGHT & DESIGN 2009 PROPERTY OF  
 KOMFORT WORKSPACE Pte  
 WHITTLE WAY, CRAWLEY, WEST SUSSEX, RH10 9RT  
 TEL : 01293 592500 WEB www.komfort.com  
 DO NOT SCALE IF IN DOUBT ASK

ISSUE	DESCRIPTION OF CHANGE	DATE	16:11:09
MATERIAL :		DRAWN	SSG
FINISH :		CHKD	BJP
		SCALE	NTS
TITLE		DOUBLE GLAZED POLAR	
DEFLECTION HEAD DETAIL ±25mm		TIMBER DOOR	
WITH DOOR FRAME (DGP25) VERTICAL SECTION		DRAWING No	
		14123	
ISSUE		1	

NON FIRE PERFORMANCE ONLY

ALL GLASS MUST CONFORM TO  
BS 6262 & DOCUMENT  
'N' BUILDING REGULATIONS

ALL DIMENSIONS ARE NOMINAL & IN mm



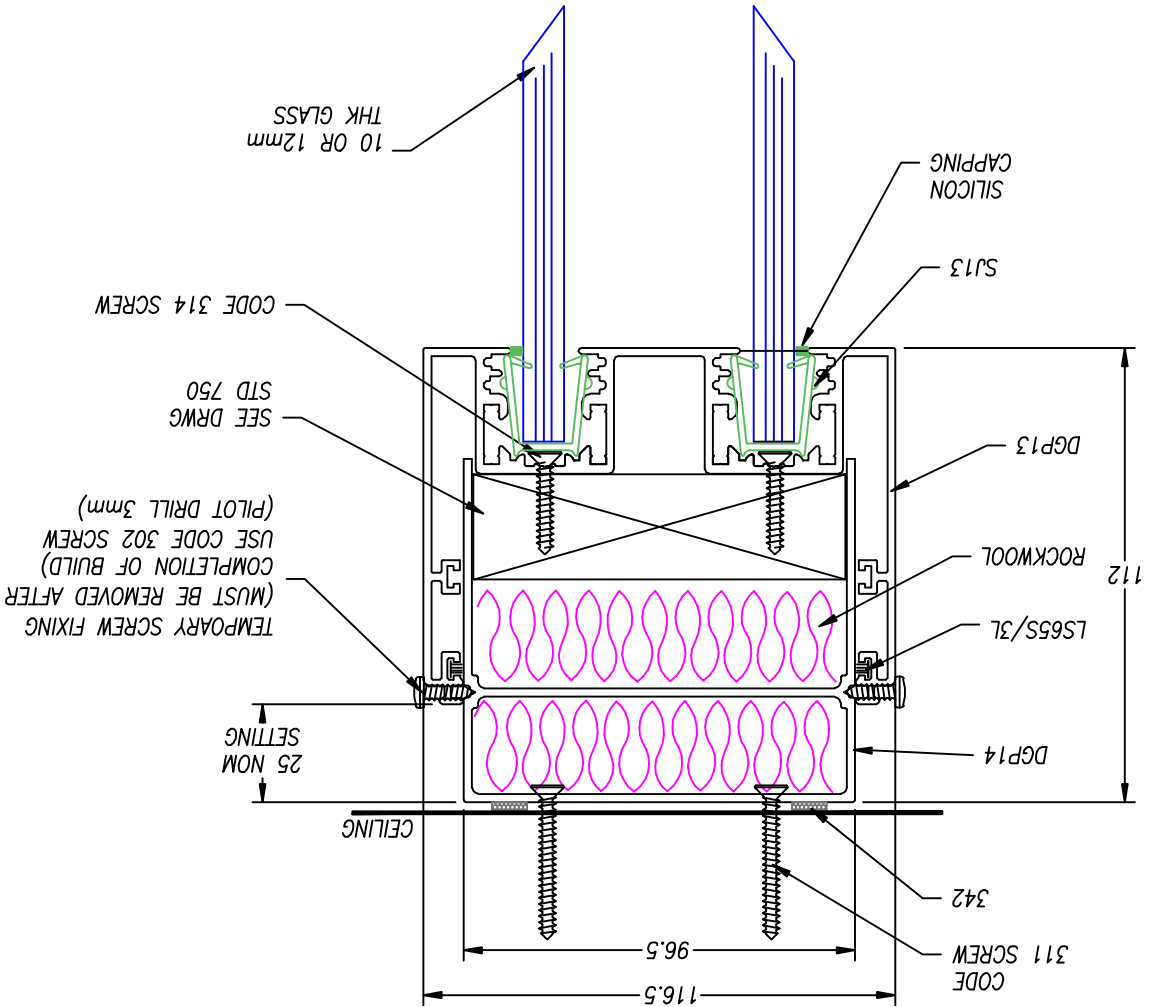
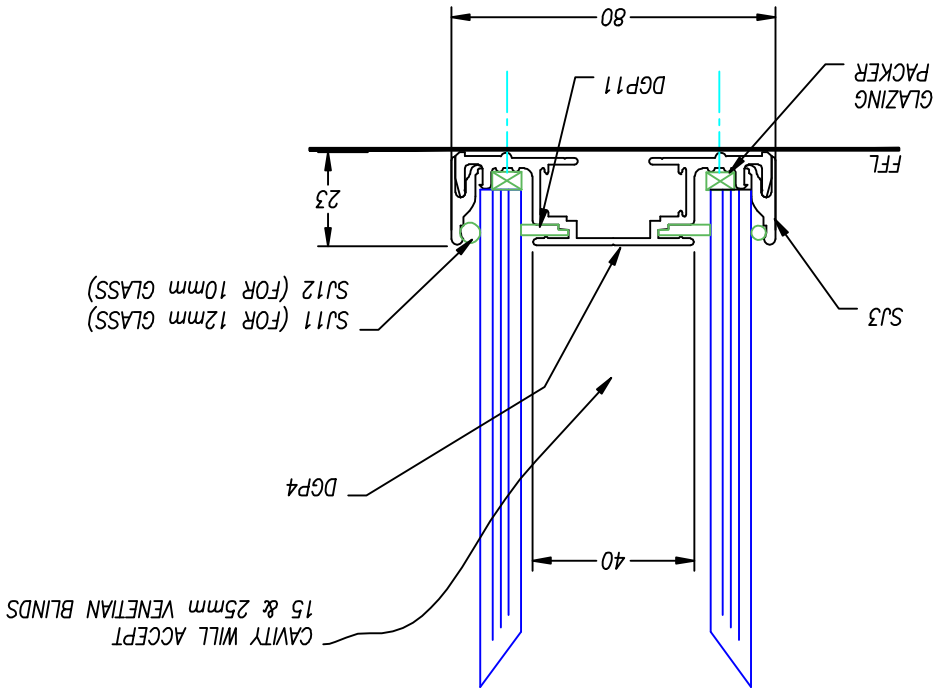
© COPYRIGHT & DESIGN 2009 PROPERTY OF  
KOMFORT WORKSPACE Pte  
WHITTLE WAY, CRAWLEY, WEST SUSSEX, RH10 9RT  
TEL : 01293 592500 WEB www.komfort.com  
DO NOT SCALE IF IN DOUBT ASK

ISSUE	DESCRIPTION OF CHANGE	DATE	16:11:09	TITLE	DOUBLE GLAZED POLAR DEFLECTION HEAD DETAIL ±25mm GLASS DOOR WITH DOOR FRAME (DGP25) VERTICAL SECTION
MATERIAL :		DRAWN	SSG	DRAWING No	14122
FINISH :		CHKD	BJP	ISSUE	1
		SCALE	NTS		

NON FIRE PERFORMANCE ONLY

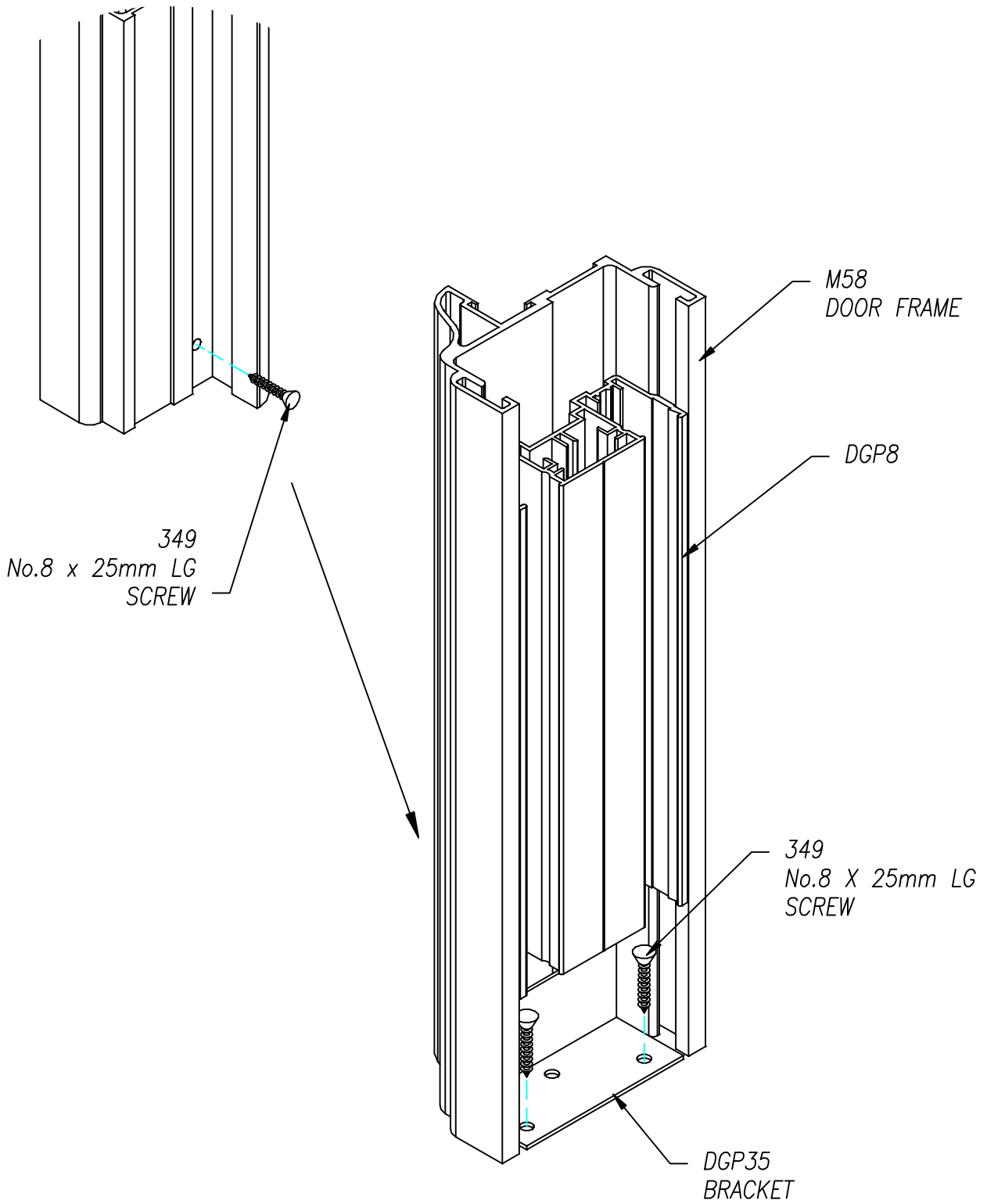
ALL GLASS MUST CONFORM TO BS 6262 & DOCUMENT 'N' BUILDING REGULATIONS

ALL DIMENSIONS ARE NOMINAL & IN mm

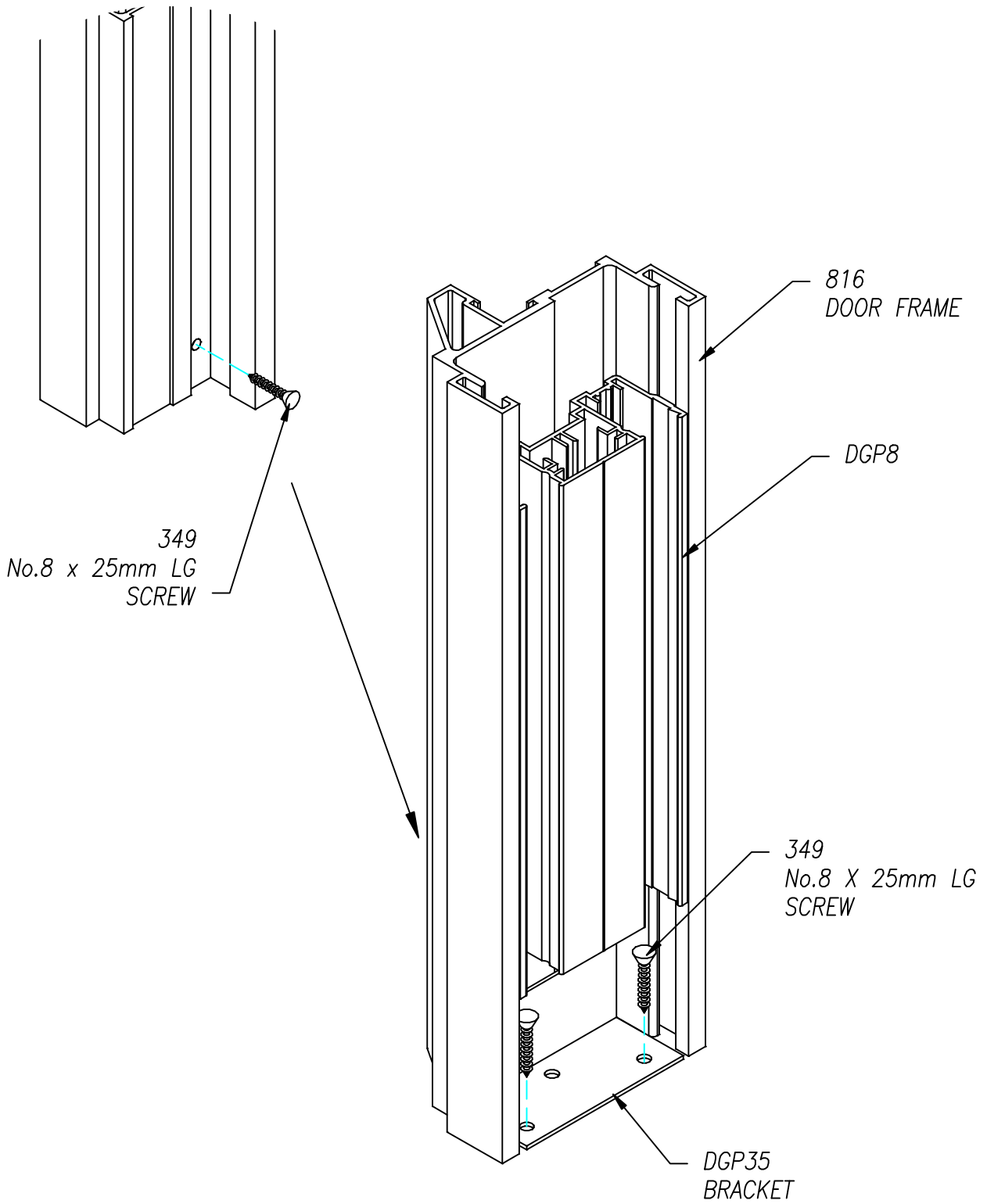


© COPYRIGHT & DESIGN 2009 PROPERTY OF  
 KOMFORT WORKSPACE Pte  
 WHITTLE WAY, CRAWLEY, WEST SUSSEX, RH10 9RT  
 TEL : 01293 592500 WEB www.komfort.com  
 DO NOT SCALE IF IN DOUBT ASK

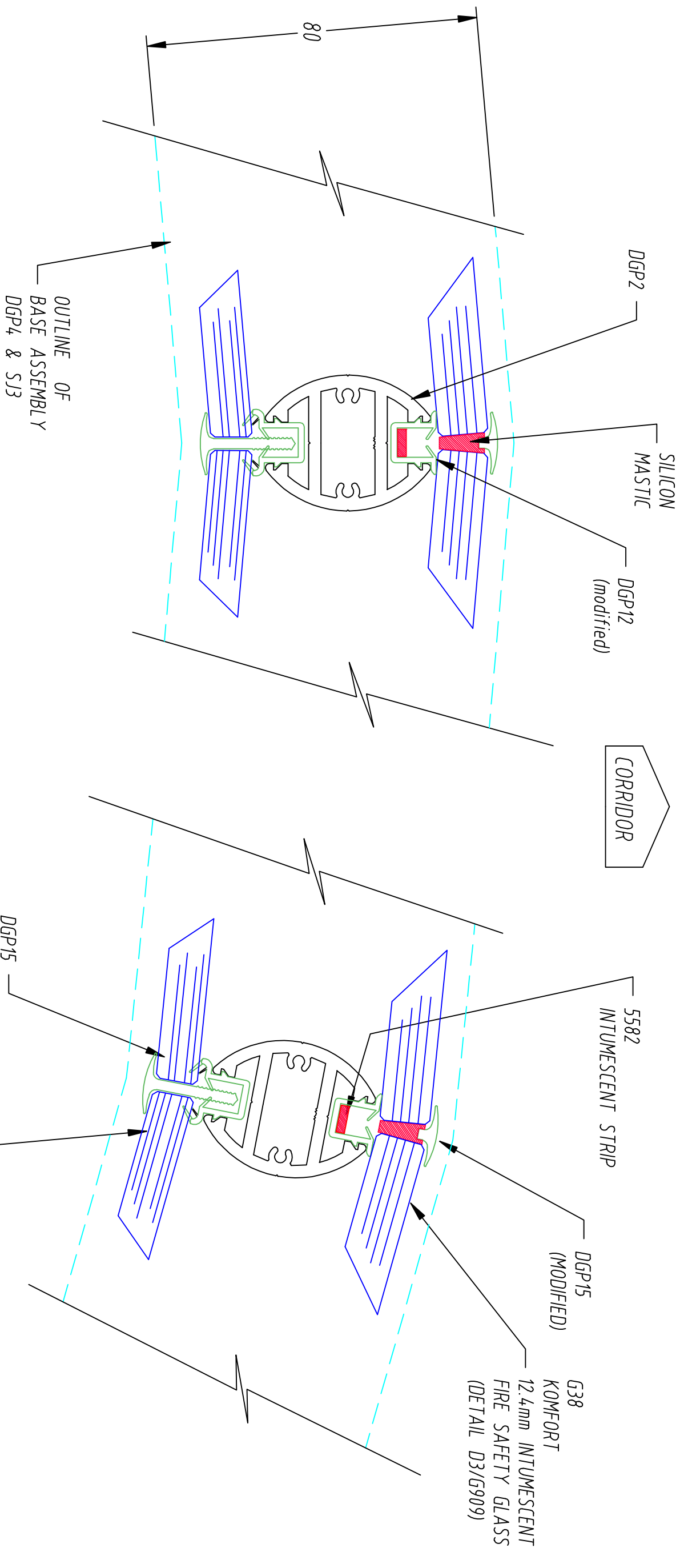
ISSUE	DESCRIPTION OF CHANGE	DATE	TITLE		ISSUE
MATERIAL :		16:11:09	DOUBLE GLAZED POLAR DEFLECTION HEAD DETAIL ±25mm VERTICAL SECTION		1
FINISH :		SSG	DRAWING No	14121	
		CHKD	BJP		
		SCALE	NTS		



		DATE	01:09:09	TITLE DOUBLE GLAZED POLAR M58 DOOR FRAME FIXING DETAIL AT BASE WITH DGP8 POCKET	
ISSUE	DESCRIPTION OF CHANGE	DRAWN	SSG		
MATERIAL :		CHKD	BJP	DRAWING No	ISSUE
FINISH :		SCALE	NTS	14120	1



		DATE	01:09:09	TITLE DOUBLE GLAZED POLAR 816 DOOR FRAME FIXING DETAIL AT BASE WITH DGP8 POCKET	
ISSUE	DESCRIPTION OF CHANGE	DRAWN	SSG	DRAWING No	
MATERIAL :		CHKD	BJP	14119	
FINISH :		SCALE	NTS	ISSUE	1



OUTLINE OF  
BASE ASSEMBLY  
DGP4 & S/J3

**FOR FIRE PERFORMANCE**

DRAWING MUST BE READ INCONJUNCTION WITH  
SUMMARY OF PERFORMANCE DOCUMENT P01/F7  
AND DATA SHEET P02 JUNC/INST.2

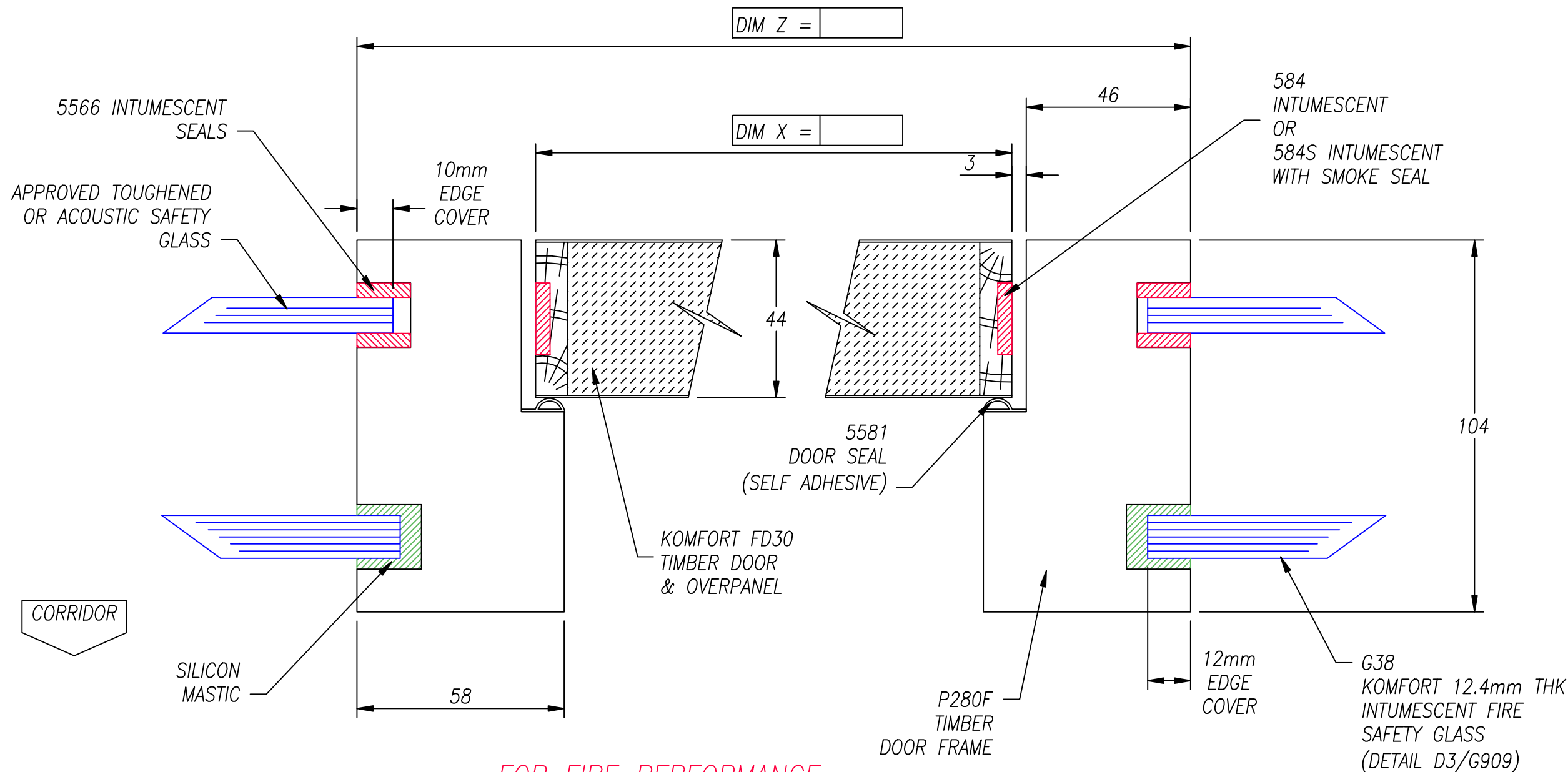
ALL DIMENSIONS ARE IN mm & NOMINAL

10 DEGREE MAXIMUM ANGLE PERMITTED



© COPYRIGHT & DESIGN 2009 PROPERTY OF  
KOMFORT WORKSPACE Plc  
WHITTLE WAY, CRAWLEY, WEST SUSSEX, RH10 9RT  
TEL : 01293 592500 WEB www.komfort.com  
DO NOT SCALE IF IN DOUBT ASK

ISSUE	DESCRIPTION OF CHANGE	DATE	DRAWN	SSG	TITLE
MATERIAL :		12.08.09	CHKD	BJP	TITLE POLARTEC DOUBLE GLAZED 30min FIRE PERFORMANCE FACETED DETAIL
FINISH :			SCALE	NTS	DRAWING No 14118
					ISSUE 1




**FOR FIRE PERFORMANCE**

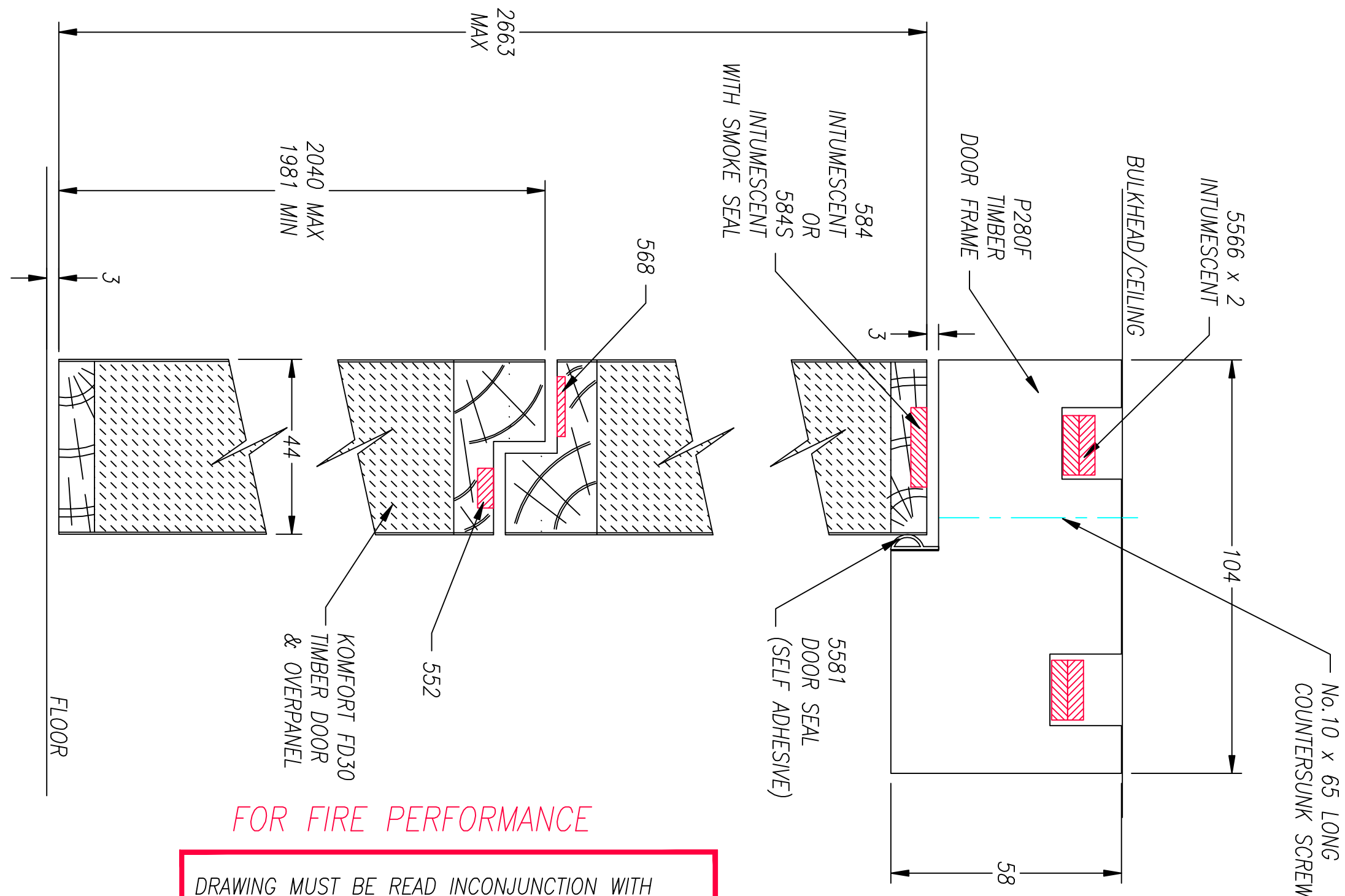
DRAWING MUST BE READ INCONJUNCTION WITH SUMMARY OF PERFORMANCE DOCUMENT PO/F13 AND DATA SHEET P02 T.DOR/INST.6,7,8,9 & 10

ALL GLASS MUST CONFORM TO AS REQUIRED TO BS 476:PART 22 BS 6262, BS 6206 & DOCUMENT 'N' BUILDING REGULATIONS

DOOR WIDTH DIM X	DISTANCE BETWEEN SJ4 & SJ3 BASE CHANNEL DIM Z
838 (SINGLE)	936

ALL DIMENSIONS ARE NOMINAL & IN mm

	© COPYRIGHT & DESIGN 2009 PROPERTY OF KOMFORT WORKSPACE Plc WHITTLE WAY, CRAWLEY, WEST SUSSEX, RH10 9RT TEL : 01293 592500 WEB www.komfort.com	DATE	12:08:09	TITLE	POLARTEC DOUBLE GLAZED 30min FIRE PERFORMANCE TIMBER DOOR HORIZONTAL DETAIL TIMBER DOOR FRAME		
	DO NOT SCALE IF IN DOUBT ASK	ISSUE	DESCRIPTION OF CHANGE	DRAWN	SSG		
		MATERIAL :	CHKD	BJP		DRAWING No	ISSUE
		FINISH :	SCALE	NTS		14117	1



FOR FIRE PERFORMANCE

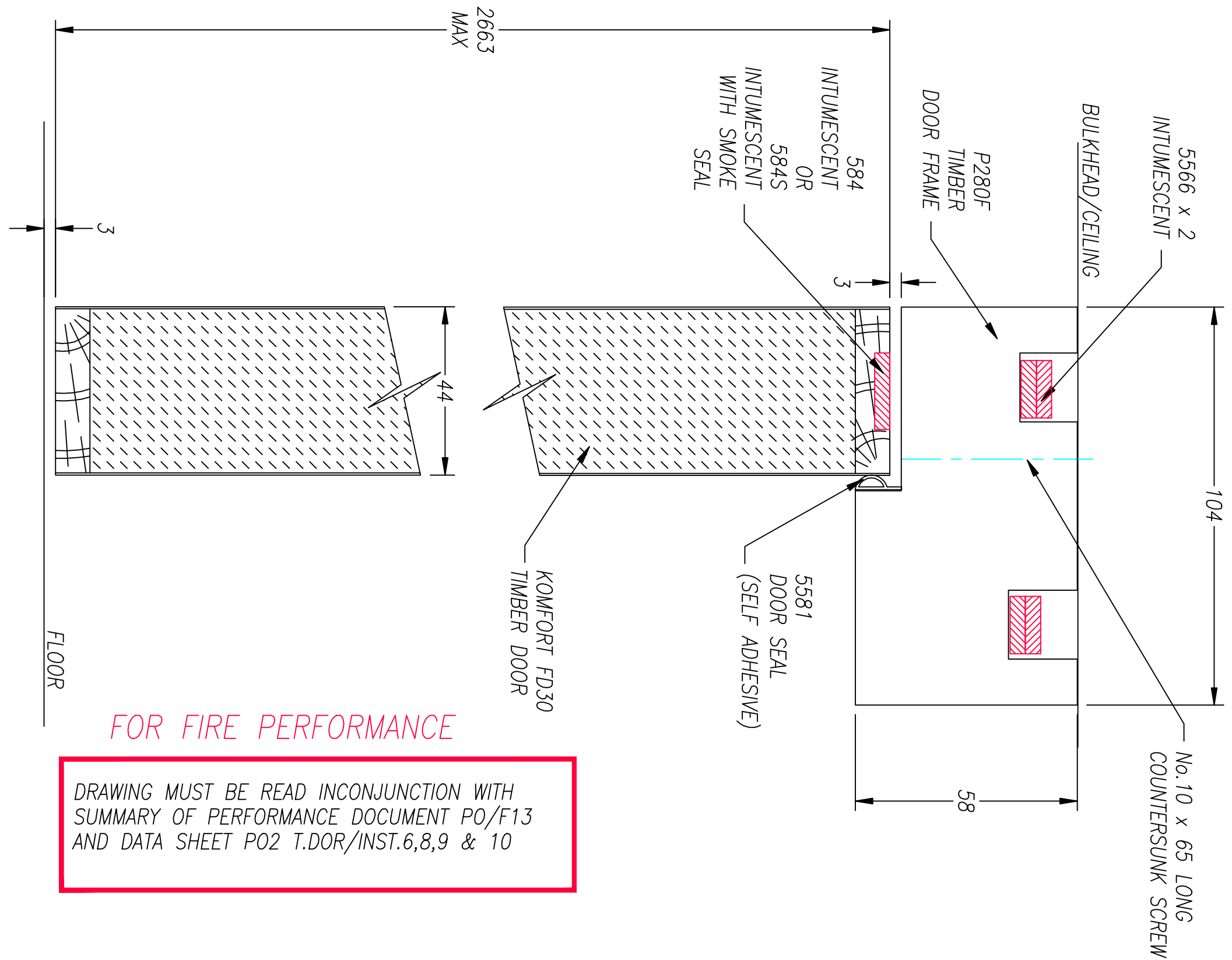
DRAWING MUST BE READ INCONJUNCTION WITH SUMMARY OF PERFORMANCE DOCUMENT PO/F13 AND DATA SHEET PO2 T.DOR/INST.7,8,9 & 10

ALL DIMENSIONS ARE NOMINAL & IN mm



© COPYRIGHT & DESIGN 2009 PROPERTY OF  
 KOMFORT WORKSPACE Plc  
 WHITTLE WAY, CRAWLEY, WEST SUSSEX, RH10 9RT  
 TEL : 01293 592500 WEB www.komfort.com  
 DO NOT SCALE IF IN DOUBT ASK

DATE	12:08:09	TITLE	POLARTEC DOUBLE GLAZED 30min FIRE PERFORMANCE TIMBER DOOR & OVER PANEL VERTICAL DETAIL TIMBER DOOR FRAME
ISSUE		DRAWN	SSG
MATERIAL :		CHKD	BJP
FINISH :		SCALE	NTS
DRAWING No			ISSUE
14116			1



FOR FIRE PERFORMANCE

DRAWING MUST BE READ INCONJUNCTION WITH SUMMARY OF PERFORMANCE DOCUMENT PO/F13 AND DATA SHEET PO2 T.DOR/INST.6,8,9 & 10

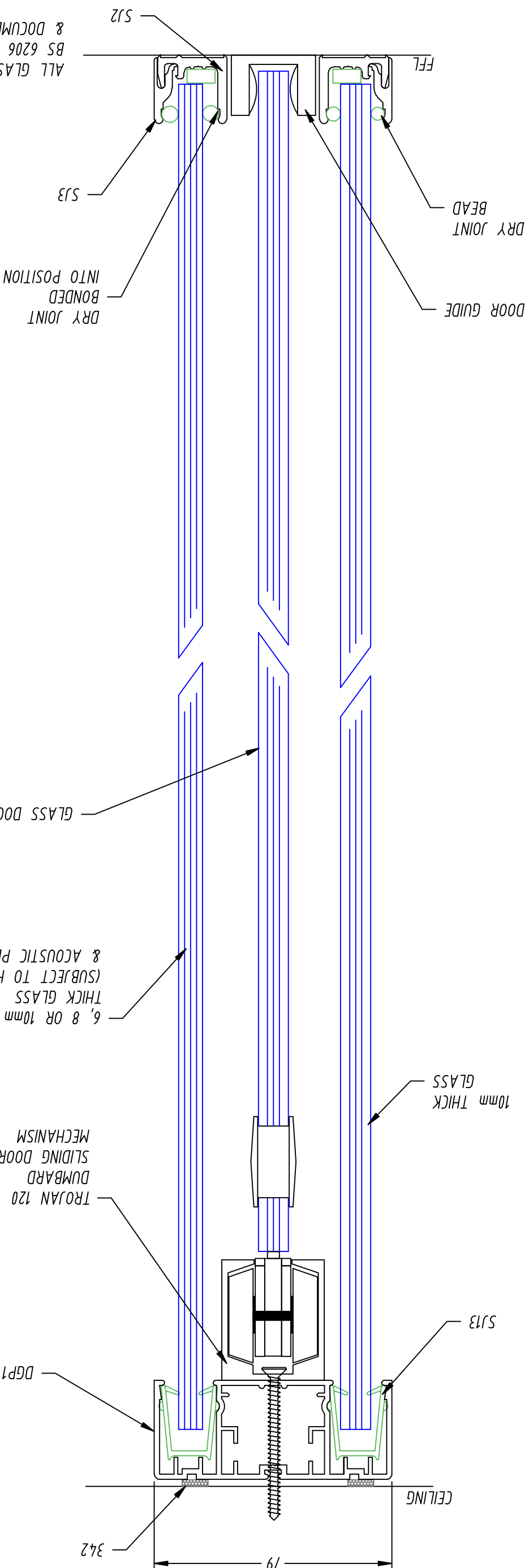
ALL DIMENSIONS ARE NOMINAL & IN mm



© COPYRIGHT & DESIGN 2009 PROPERTY OF  
 KOMFORT WORKSPACE Plc  
 WHITTLE WAY, CRAWLEY, WEST SUSSEX, RH10 9RT  
 TEL : 01293 592500 WEB www.komfort.com  
 DO NOT SCALE IF IN DOUBT ASK

DATE	12:08:09	TITLE	POLARTEC DOUBLE GLAZED 30min FIRE PERFORMANCE TIMBER DOOR VERTICAL DETAIL TIMBER DOOR FRAME
ISSUE		DRAWN	SSG
MATERIAL :		CHKD	BJP
FINISH :		SCALE	NTS
DRAWING No			14115
ISSUE			1

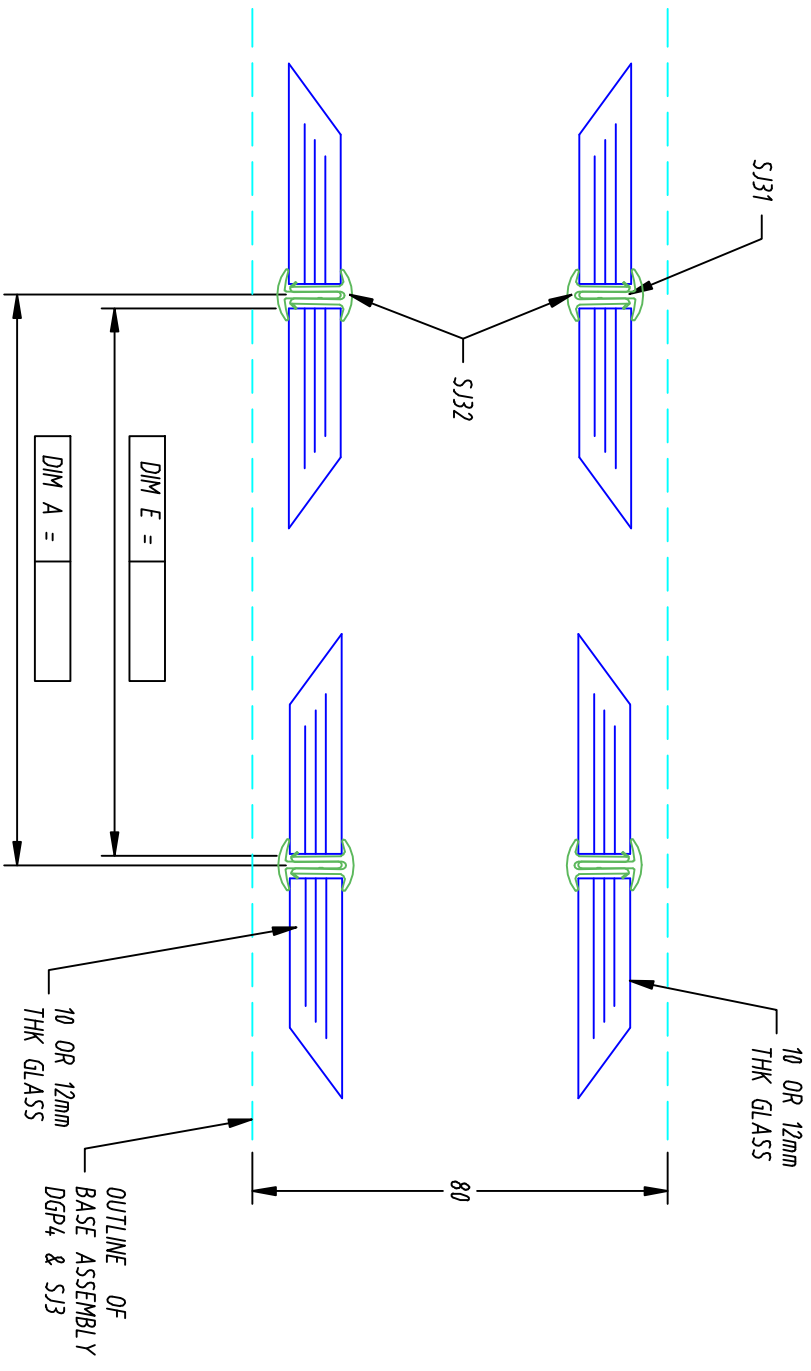
ALL DIMENSIONS ARE IN mm & NOMINAL  
 BS 6206 FOR SAFETY IMPACT  
 & DOCUMENT 'N' BUILDING REGULATIONS.  
 ALL GLASS MUST CONFORM TO



© COPYRIGHT & DESIGN 2009 PROPERTY OF  
 KOMFORT WORKSPACE Plc  
 WHITTLE WAY, CRAWLEY, WEST SUSSEX, RH10 9RT  
 TEL : 01293 592500 WEB www.komfort.com  
 DO NOT SCALE IF IN DOUBT ASK

ISSUE	DESCRIPTION OF CHANGE	DATE	DRAWN	SSG	TITLE
MATERIAL :		26:06:09	CHKD	BJP	POLAR DOUBLE GLAZED INTERNAL SLIDING GLASS DOOR
FINISH :		SCALE	NTS	DRAWING No	TROJAN TOP FIX
				14114	
				ISSUE	1





THIS IS A NON FIRE PERFORMANCE ASSEMBLY

ALL GLASS MUST CONFORM TO  
BS 6262 & DOCUMENT  
N° BUILDING REGULATIONS

DOUBLE GLAZED GLASS COMBINATIONS  
GIVEN ARE USED TO A MAXIMUM HEIGHT OF 3000mm.

MANIFESTATION 1500mm FROM THE FINISHED  
FLOOR LEVEL MUST BE INSTALLED IN ACCORDANCE  
WITH DOCUMENT N° BUILDING REGULATIONS  
WHEN BLINDS ARE NOT INCLUDED

ALL DIMENSIONS ARE IN mm & NOMINAL

DIM A = MODULE CENTRES  
DIM A = E + 5 NOM

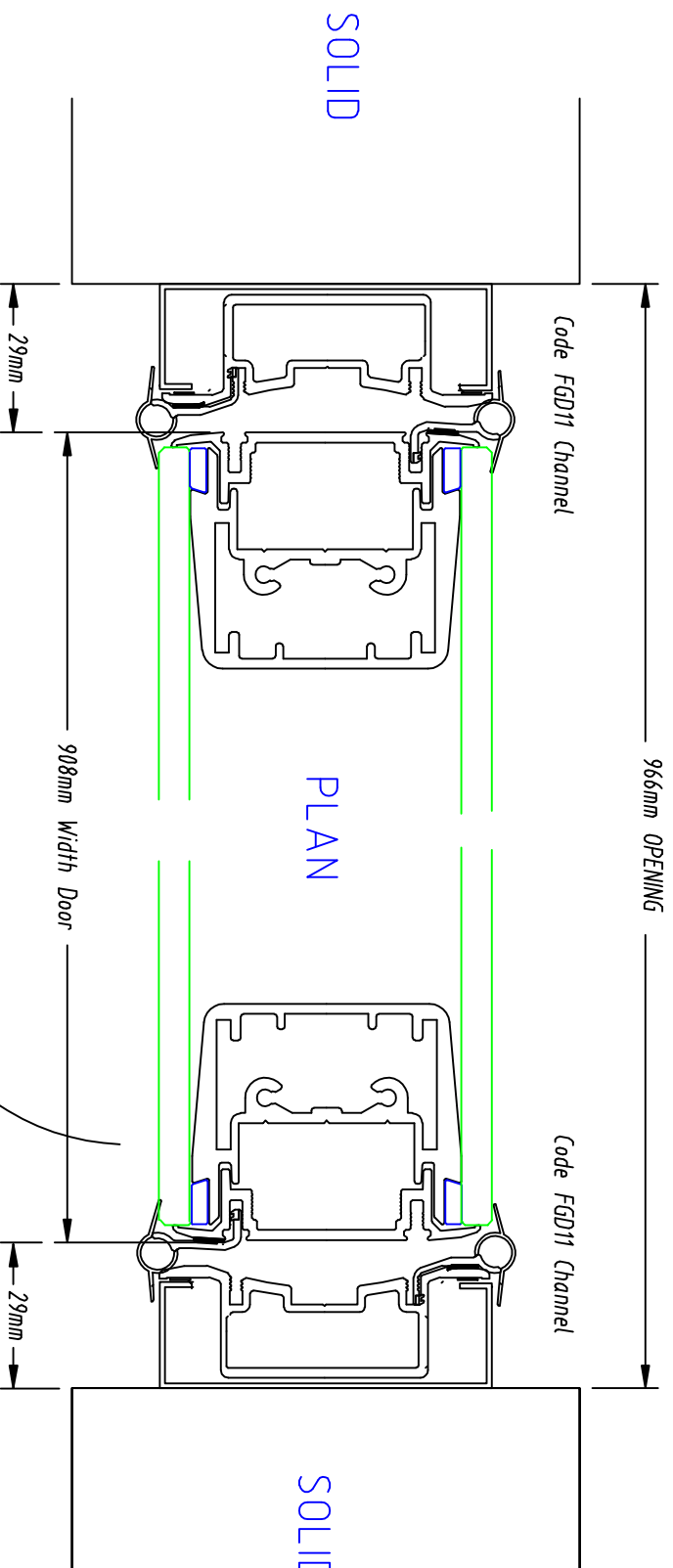
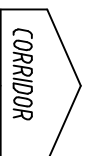


© COPYRIGHT & DESIGN 2009 PROPERTY OF  
KOMFORT WORKSPACE PIC  
WHITTLE WAY, CRAWLEY, WEST SUSSEX, RH10 9RT  
TEL : 01293 592500 WEB www.komfort.com  
DO NOT SCALE IF IN DOUBT ASK

ISSUE	DESCRIPTION OF CHANGE	DATE	19:01:09	TITLE	DOUBLE GLAZED POLAR DRY JOINT DETAIL	ISSUE	1
MATERIAL :		DRAWN	SSG	DRAWING No	14111		
FINISH :		CHKD		NTS			



Utilise 821 Head Channel & FGD5 Pocket at head as per standard detail.



ALL DIMENSIONS ARE IN mm & NOMINAL

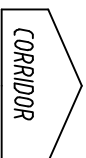
OPEN  
 (L.H. hanging door shown).

**KOMFORT**  
 HEAD OFFICE  
 WHITTLE WAY CRAWLEY  
 WEST SUSSEX RH10 9RT  
 TEL : 01293 592500  
 FAX : 01293 549351

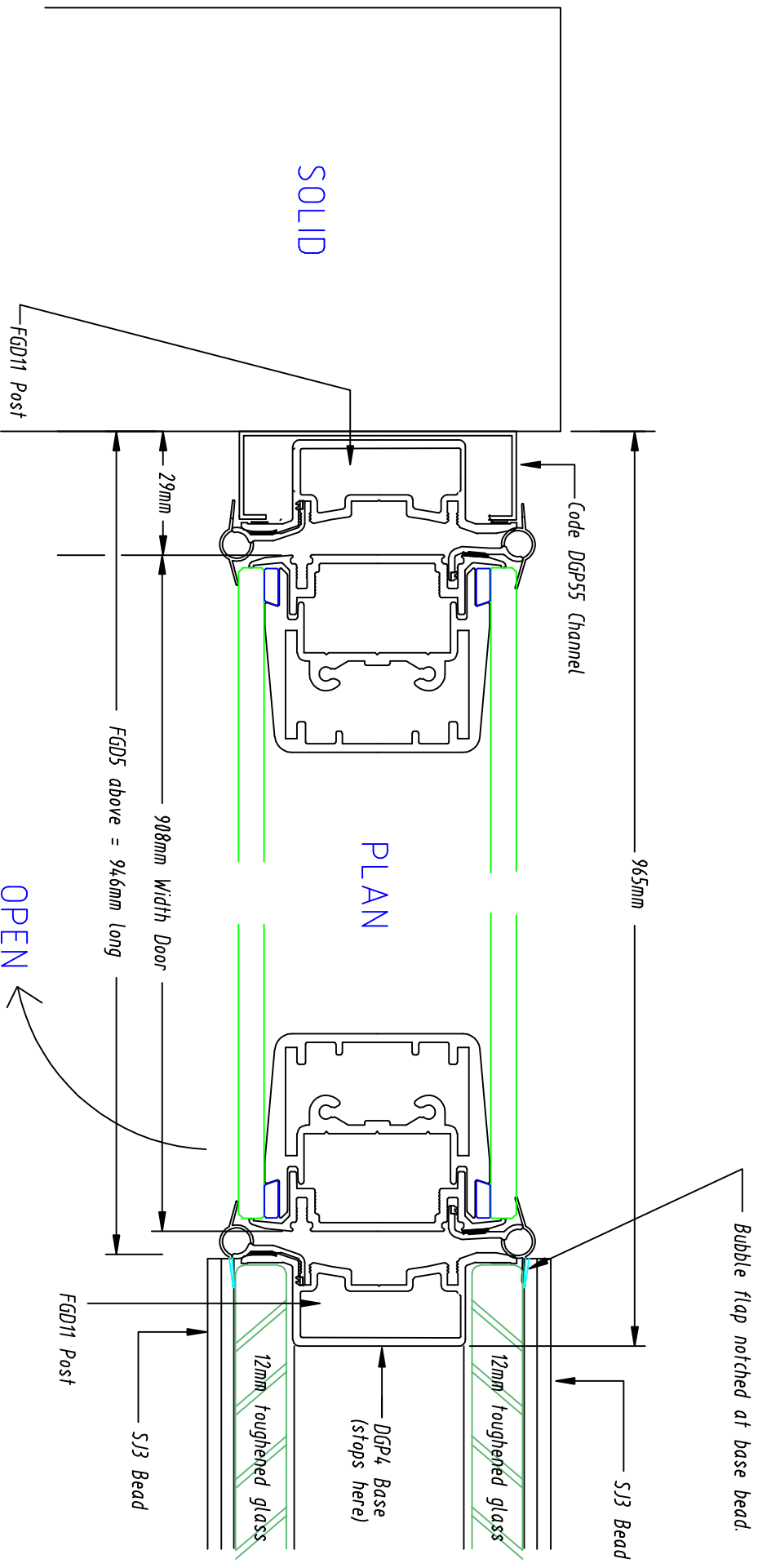
© COPYRIGHT & DESIGN 2008  
 PROPERTY OF  
 KOMFORT OFFICE ENVIRONMENTS PLC  
 DO NOT SCALE IF IN DOUBT ASK

ISSUE	DESCRIPTION OF CHANGE	DATE	1.7.08	TITLE	ISSUE
		DRAWN	S.G.	D.G.POLAR DOORSETS	
		CHKD		DOORSET INTO SOLID WALL	
		SCALE	1:1	DRAWING No	
				14019	1

Utilise 821 Head Channel & FGD5 Pocket at head as per standard detail.



NOTE: THIS DETAIL UTILISES STANDARD DG.POLAR BASE DUE TO GLASS THICKNESS AND FILMING DETAILING AS APPLICABLE.



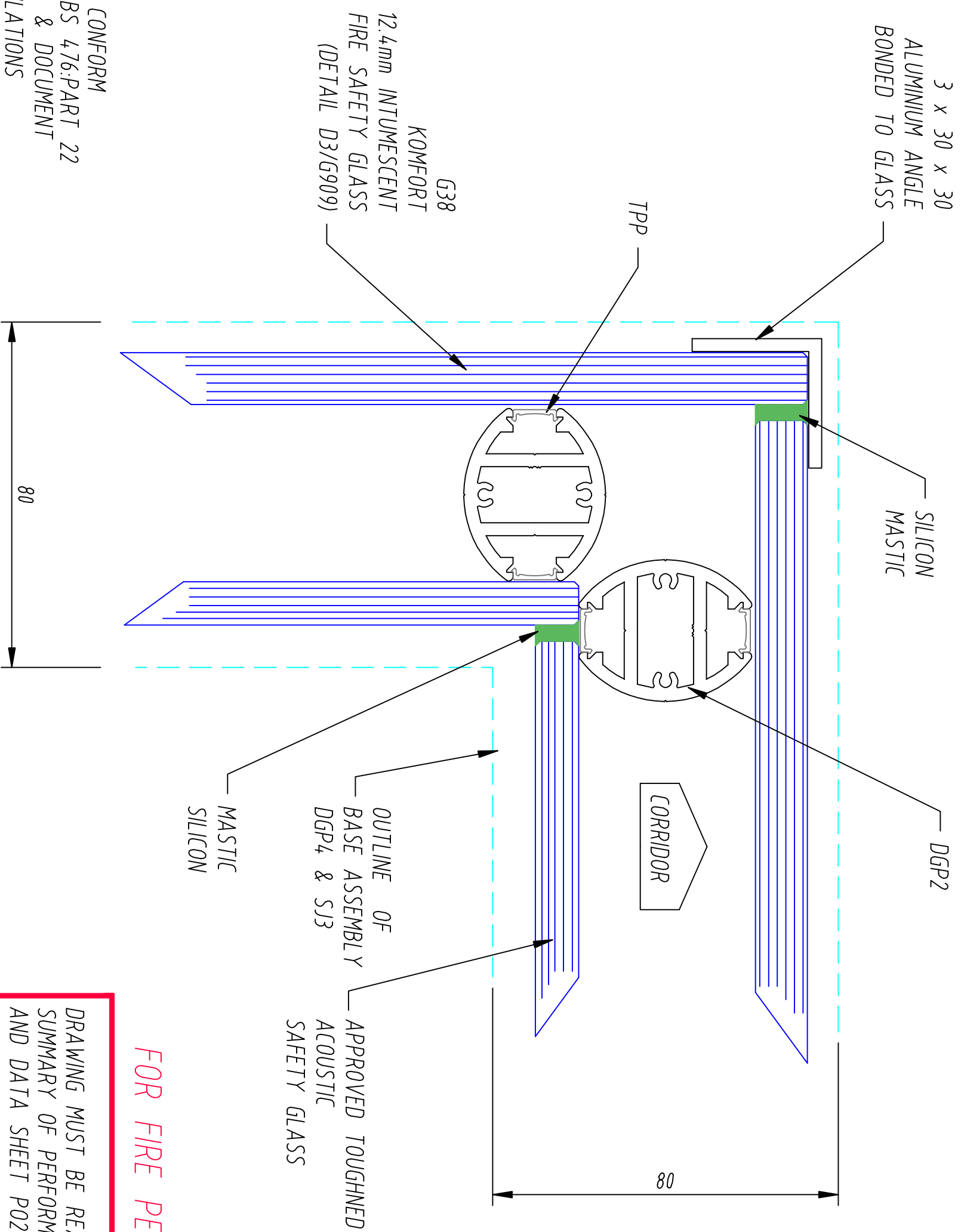
ALL DIMENSIONS ARE IN mm & NOMINAL

OPEN  
(L.H. hanging door shown).

**KOMFORT**  
 HEAD OFFICE  
 WHITTLE WAY CRAWLEY  
 WEST SUSSEX RH10 9RT  
 TEL : 01293 592500  
 FAX : 01293 549351

© COPYRIGHT & DESIGN 2008  
 PROPERTY OF  
 KOMFORT OFFICE ENVIRONMENTS PLC  
 DO NOT SCALE IF IN DOUBT ASK

ISSUE	DESCRIPTION OF CHANGE	DATE	TITLE
ISSUE		1.7.08	D.G.POLAR DOORSETS ABUTMENT TO SOLID AND SPECIAL BASE DETAIL
MATERIAL :		DRAWN TJB	
FINISH :		CHKD	
		SCALE 1:1	DRAWING No 14108
			ISSUE 1



ALL GLASS MUST CONFORM AS REQUIRED TO BS 476:PART 22 BS 6262, BS 6206 & DOCUMENT 'N' BUILDING REGULATIONS

ALL DIMENSIONS ARE NOMINAL & IN mm

**FOR FIRE PERFORMANCE**

DRAWING MUST BE READ INCONJUNCTION WITH SUMMARY OF PERFORMANCE DOCUMENT P0/F7 AND DATA SHEET P02 JUNC/INST.2



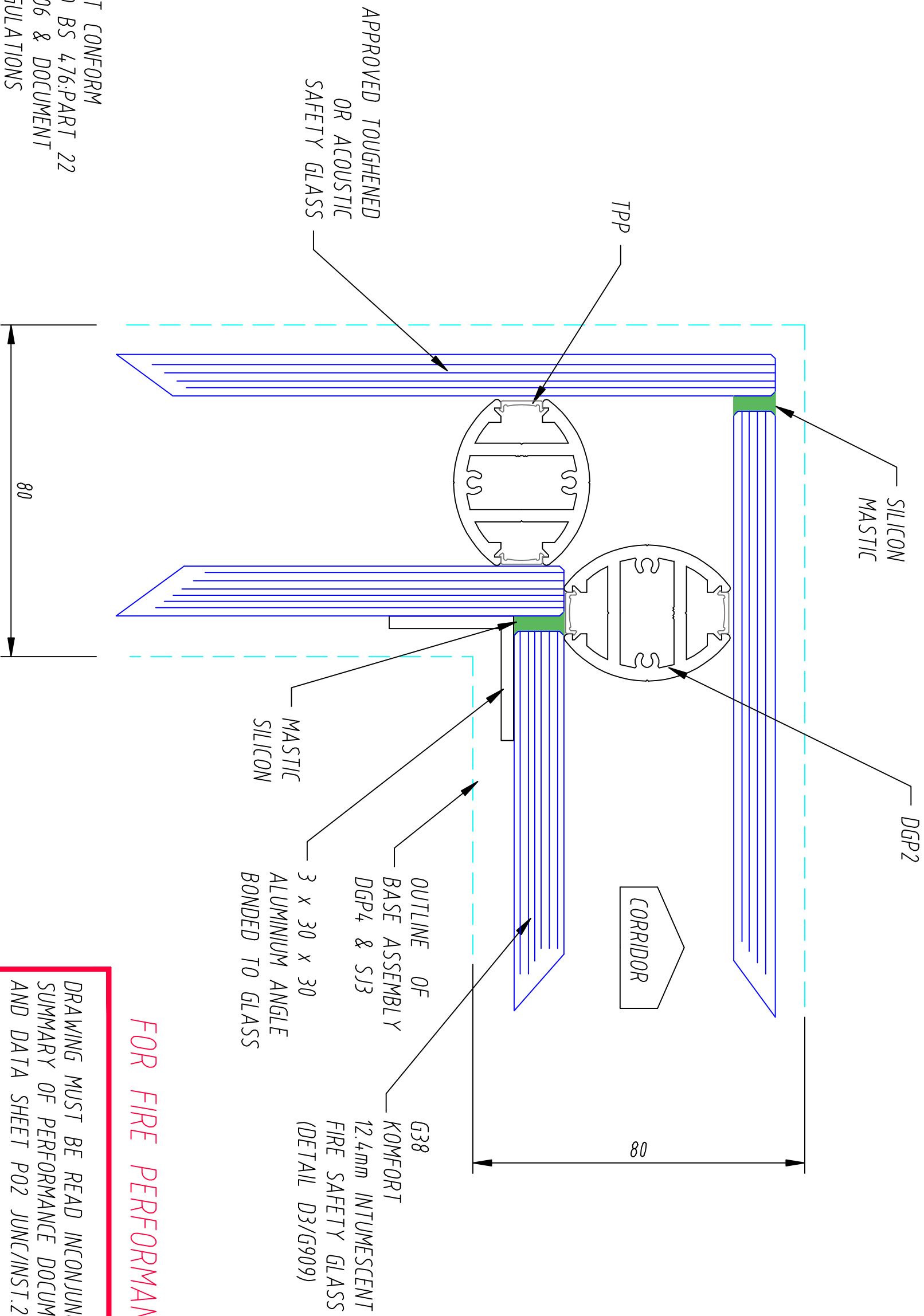
© COPYRIGHT & DESIGN 2008 PROPERTY OF  
 KOMFORT WORKSPACE Plc  
 WHITTLE WAY, CRAWLEY, WEST SUSSEX, RH10 9RT  
 TEL : 01293 592500 WEB www.komfort.com

DO NOT SCALE IF IN DOUBT ASK

ISSUE	DESCRIPTION OF CHANGE	DATE	07.04.08	TITLE	POLARTEC DOUBLE GLAZED 30min FIRE PERFORMANCE 90 DEG EXTERNAL CORNER	ISSUE	2
MATERIAL :		DRAWN	SSG	DRAWING No	14107		
FINISH :		CHKD	BJP	SCALE	NTS		

ALL GLASS MUST CONFORM  
AS REQUIRED TO BS 476:PART 22  
BS 6262, BS 6206 & DOCUMENT  
'N' BUILDING REGULATIONS

ALL DIMENSIONS ARE NOMINAL & IN mm



**FOR FIRE PERFORMANCE**

DRAWING MUST BE READ INCONJUNCTION WITH  
SUMMARY OF PERFORMANCE DOCUMENT P0/F7  
AND DATA SHEET P02 JUNC/INST.2

© COPYRIGHT & DESIGN 2008 PROPERTY OF



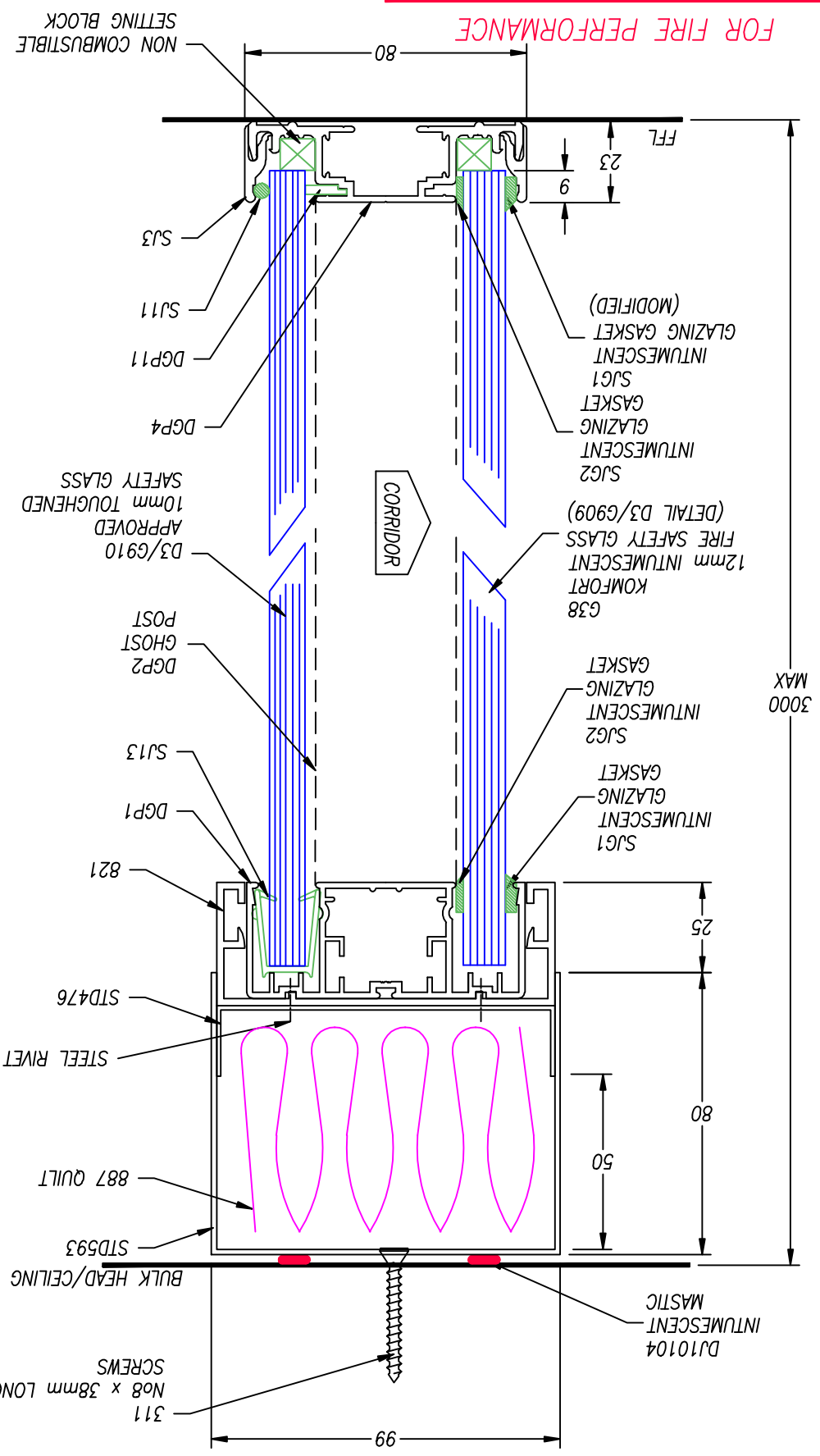
KOMFORT WORKSPACE Plc  
WHITTLE WAY, CRAWLEY, WEST SUSSEX, RH10 9RT  
TEL : 01293 592500 WEB www.komfort.com

DO NOT SCALE IF IN DOUBT ASK

ISSUE	DESCRIPTION OF CHANGE	DATE	TITLE	ISSUE
		07.04.08	POLARTEC DOUBLE GLAZED 30min FIRE PERFORMANCE 90 DEG INTERNAL CORNER	
		DRAWN SSG		
MATERIAL :		CHKD BJP	DRAWING No	
FINISH :		SCALE NTS	14106	1

DRAWING MUST BE READ IN CONJUNCTION WITH SUMMARY OF PERFORMANCE DOCUMENT P0/F6 AND DATA SHEET P02 GLA/INST.2

ALL GLASS MUST CONFORM AS REQUIRED TO BS 476:PART 22 BS 6262, BS 6206 & DOCUMENT 'N' BUILDING REGULATIONS ALL DIMENSIONS ARE NOMINAL & IN mm

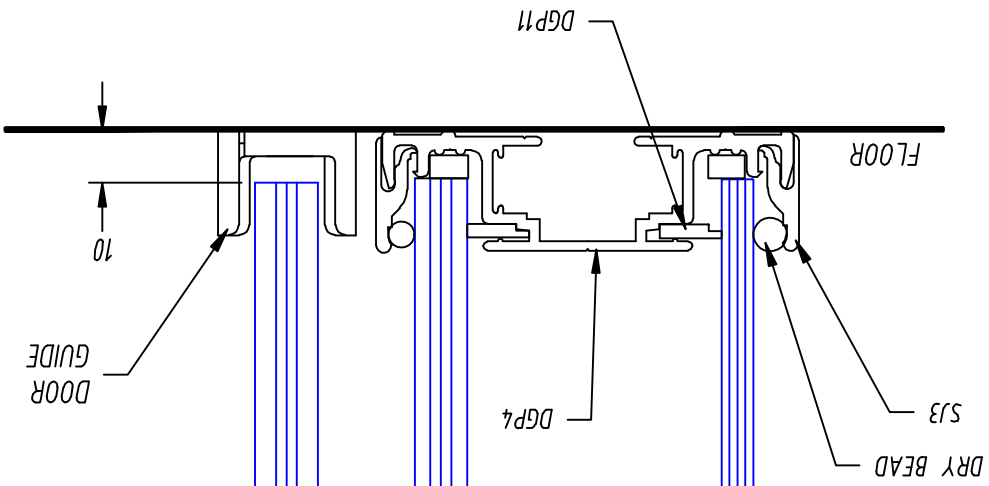


FOR FIRE PERFORMANCE



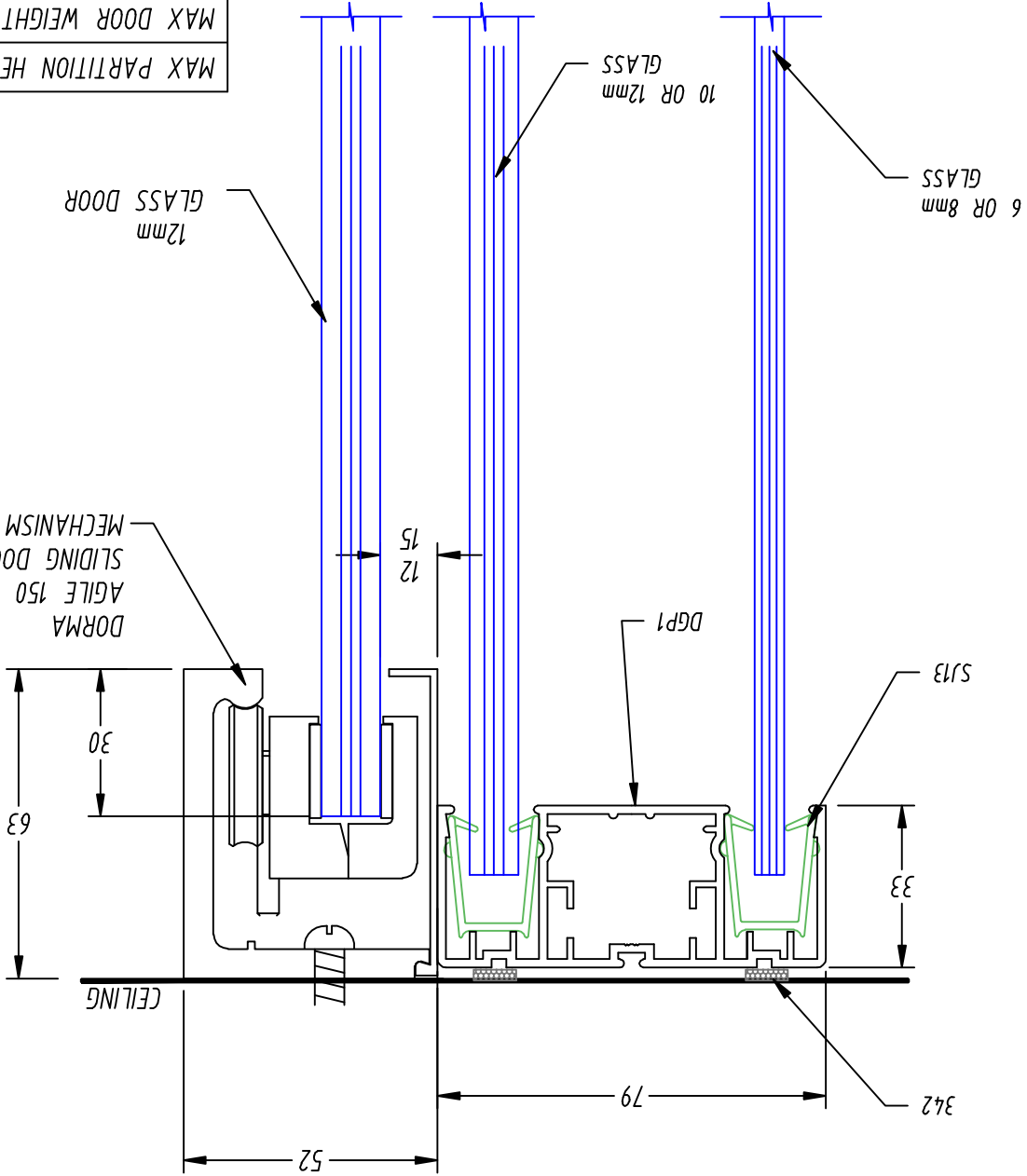
© COPYRIGHT & DESIGN 2007 PROPERTY OF KOMFORT WORKSPACE Plc WHITELE WAY, CRAWLEY, WEST SUSSEX, RH10 9RT TEL : 01293 592500 WEB www.komfort.com DO NOT SCALE IF IN DOUBT ASK

ISSUE	DESCRIPTION OF CHANGE	DATE	TITLE
		04/06/07	POLARTEC DOUBLE GLAZED
MATERIAL :		DRWN	30min FIRE PERFORMANCE WITH ±25mm
FINISH :		CHKD	DEFLECTION HEAD & GHOST POST VERTICAL DETAIL
		SCALE	DRAWING No
		NTS	14105
			ISSUE
			1



ALL GLASS MUST CONFORM TO BS 6206 FOR SAFETY IMPACT & DOCUMENT 'N' BUILDING REGULATIONS.  
 ALL DIMENSIONS ARE NOMINAL & IN mm

MANIFESTATION TO GLASS FROM THE FINISHED FLOOR LEVEL MUST BE INSTALLED IN ACCORDANCE WITH DOCUMENT 'M' BUILDING REGULATIONS

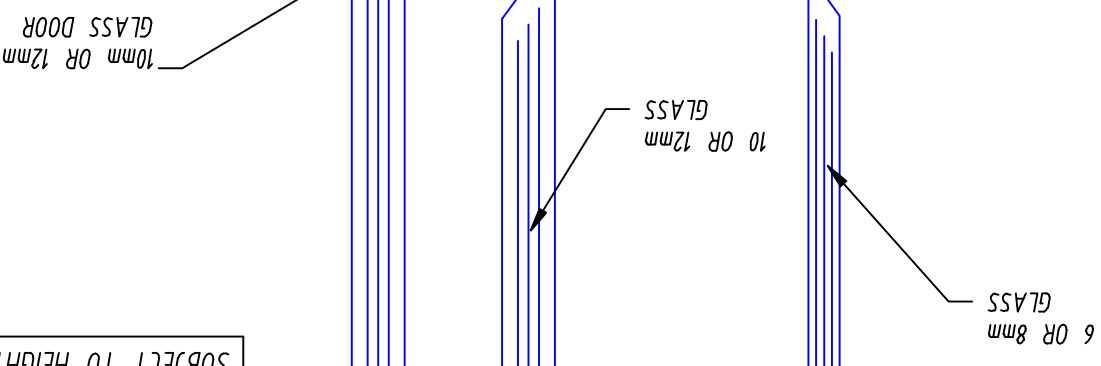
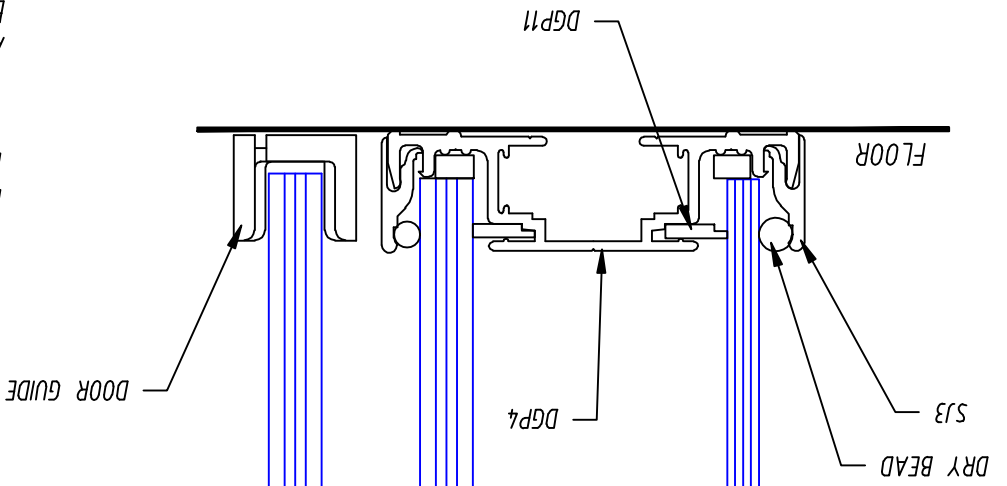


SUBJECT TO HEIGHT & IRONMONGERY		
DOOR THICKNESS (mm)	12	
MAX CLEAR OPENING (mm)	1050	2100
MAX PARTITION WIDTH (mm)	1200	2 x 1200
MAX DOOR HEIGHT (mm)	2957	2957
MAX DOOR WEIGHT (kg)	150	2 x 150
MAX PARTITION HEIGHT (mm)	3000	3000
	SINGLE	DOUBLE



© COPYRIGHT & DESIGN 2008 PROPERTY OF  
 KOMFORT WORKSPACE Plc  
 WHITTLE WAY, CRAWLEY, WEST SUSSEX, RH10 9RT  
 TEL : 01293 592500 WEB www.komfort.com  
 DO NOT SCALE IF IN DOUBT ASK

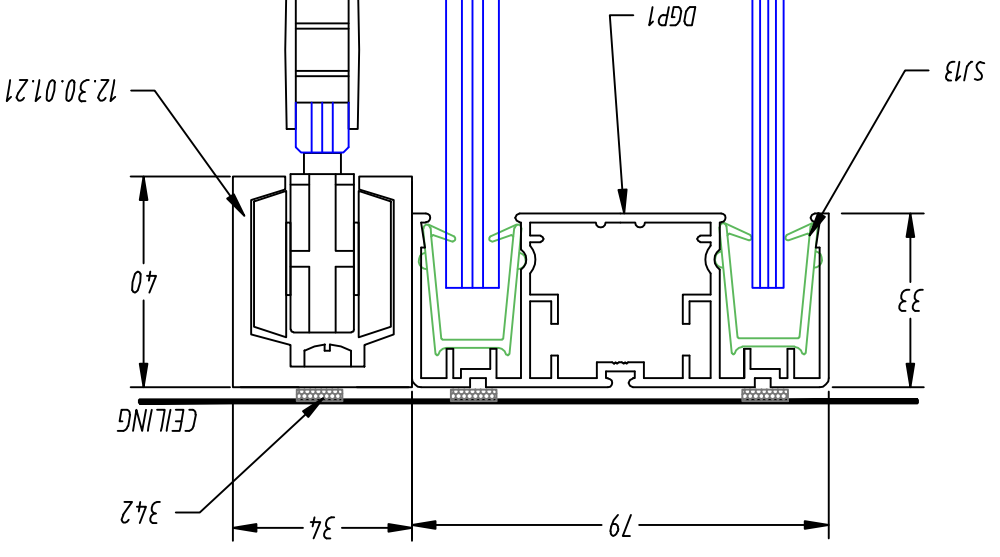
ISSUE	DESCRIPTION OF CHANGE	DATE	08:02:08	TITLE	DOUBLE GLAZED POLAR AGILE 150 SLIDING GLASS DOOR TOP FIX
MATERIAL :		DRAWN	SSG	DRAWING No	14104
FINISH :		CHKD	NTS	SCALE	
					ISSUE 1



ALL GLASS MUST CONFORM TO BS 6206 FOR SAFETY IMPACT & DOCUMENT 'N' BUILDING REGULATIONS.  
 ALL DIMENSIONS ARE NOMINAL & IN mm  
 MANIFESTATION TO GLASS FROM THE FINISHED FLOOR LEVEL MUST BE INSTALLED IN ACCORDANCE WITH DOCUMENT 'M' BUILDING REGULATIONS

MAX PARTITION HEIGHT (mm)	3000	3000	DOUBLE
MAX DOOR WEIGHT (kg)	120	2 x 120	
MAX DOOR HEIGHT (mm)	2800	2800	
MAX PARTITION WIDTH (mm)	1200	2 x 1200	
MAX CLEAR OPENING (mm)	1050	2100	
DOOR THICKNESS (mm)	12		

SUBJECT TO HEIGHT & IRONMONGERY



© COPYRIGHT & DESIGN 2008 PROPERTY OF  
 KOMFORT WORKSPACE Plc  
 WHITTLE WAY, CRAWLEY, WEST SUSSEX, RH10 9RT  
 TEL : 01293 592500 WEB www.komfort.com  
 DO NOT SCALE IF IN DOUBT ASK

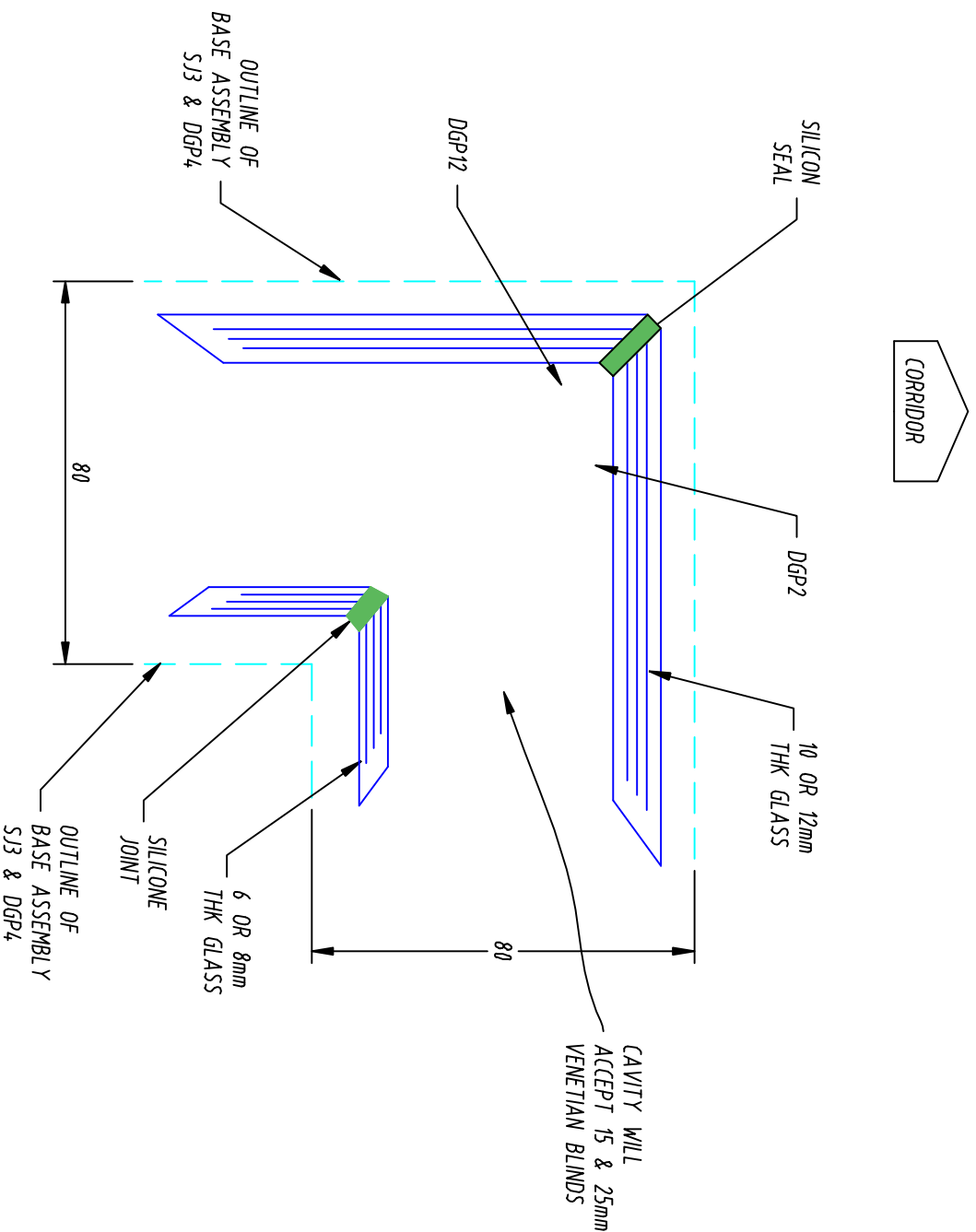
ISSUE	1
DATE	04:02:08
ISSUE	SSG
DESCRIPTION OF CHANGE	TITLE DOUBLE GLAZED POLAR TROJAN 120 SLIDING GLASS DOOR TOP FIX
MATERIAL :	CHKD
FINISH :	NTS
SCALE	14103

THIS IS A NON FIRE PERFORMANCE ASSEMBLY

ALL GLASS MUST CONFORM TO  
BS 6262 & DOCUMENT  
'N' BUILDING REGULATIONS

DOUBLE GLAZED GLASS COMBINATIONS  
GIVEN ARE USED TO A MAXIMUM HEIGHT OF 3000mm.

MANIFESTATION 1500mm FROM THE FINISHED  
FLOOR LEVEL MUST BE INSTALLED IN ACCORDANCE  
WITH DOCUMENT 'N' BUILDING REGULATIONS  
WHEN BLINDS ARE NOT INCLUDED

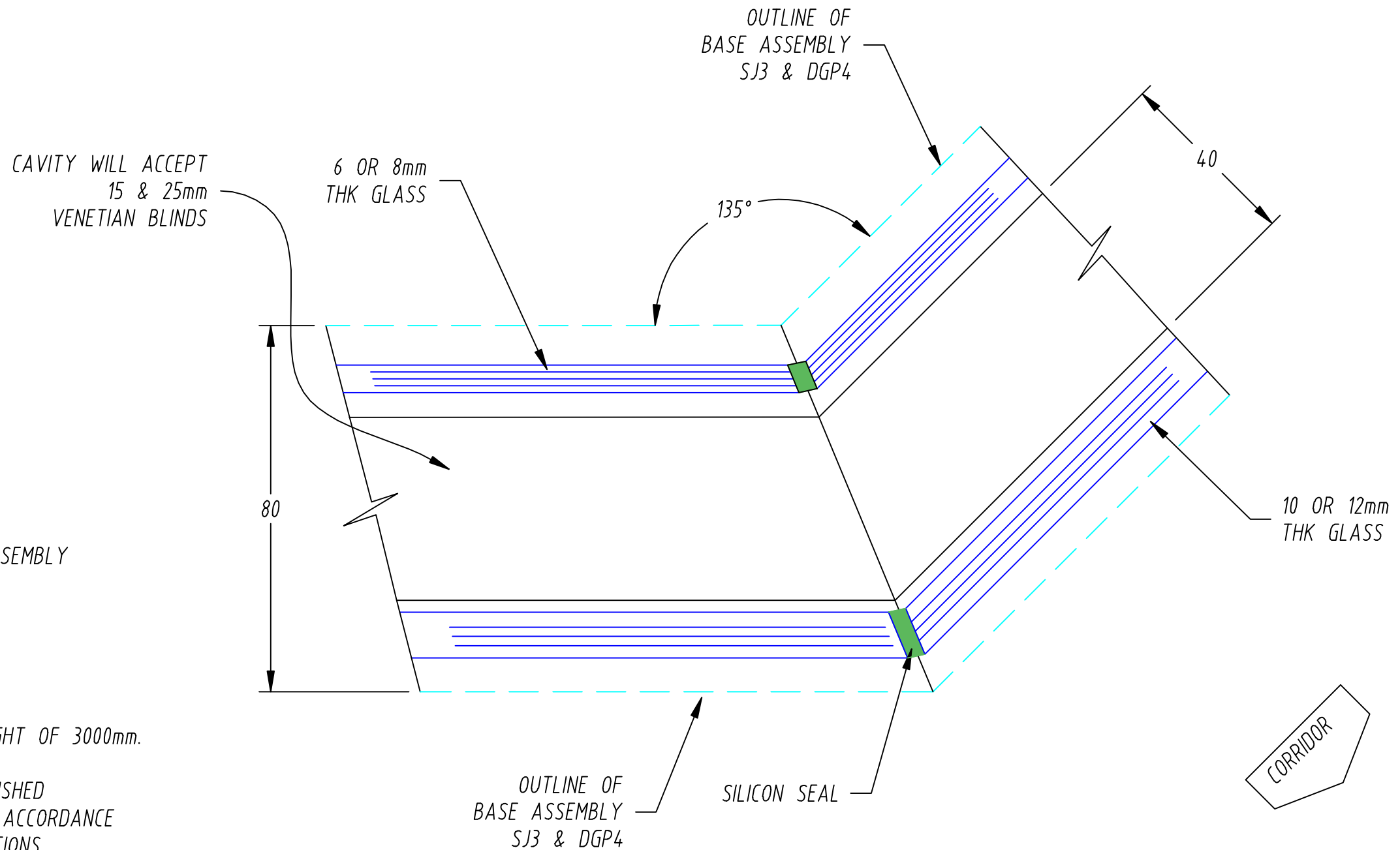


ALL DIMENSIONS ARE IN mm & NOMINAL



© COPYRIGHT & DESIGN 2007 PROPERTY OF  
KOMFORT WORKSPACE Plc  
WHITTLE WAY, CRAWLEY, WEST SUSSEX, RH10 9RT  
TEL : 01293 592500 WEB www.komfort.com  
DO NOT SCALE IF IN DOUBT ASK

ISSUE	DESCRIPTION OF CHANGE	DATE	09:10:07	TITLE	DOUBLE GLAZED POLAR
MATERIAL :		DRAWN	SCG	90 DEG SILICON SEAL DETAIL	
FINISH :		CHKD		DRAWING No	14102
		SCALE	NTS	ISSUE	1



THIS IS A NON FIRE PERFORMANCE ASSEMBLY

ALL GLASS MUST CONFORM TO  
BS 6262 & DOCUMENT  
'N' BUILDING REGULATIONS

DOUBLE GLAZED GLASS COMBINATIONS  
GIVEN ARE USED TO A MAXIMUM HEIGHT OF 3000mm.

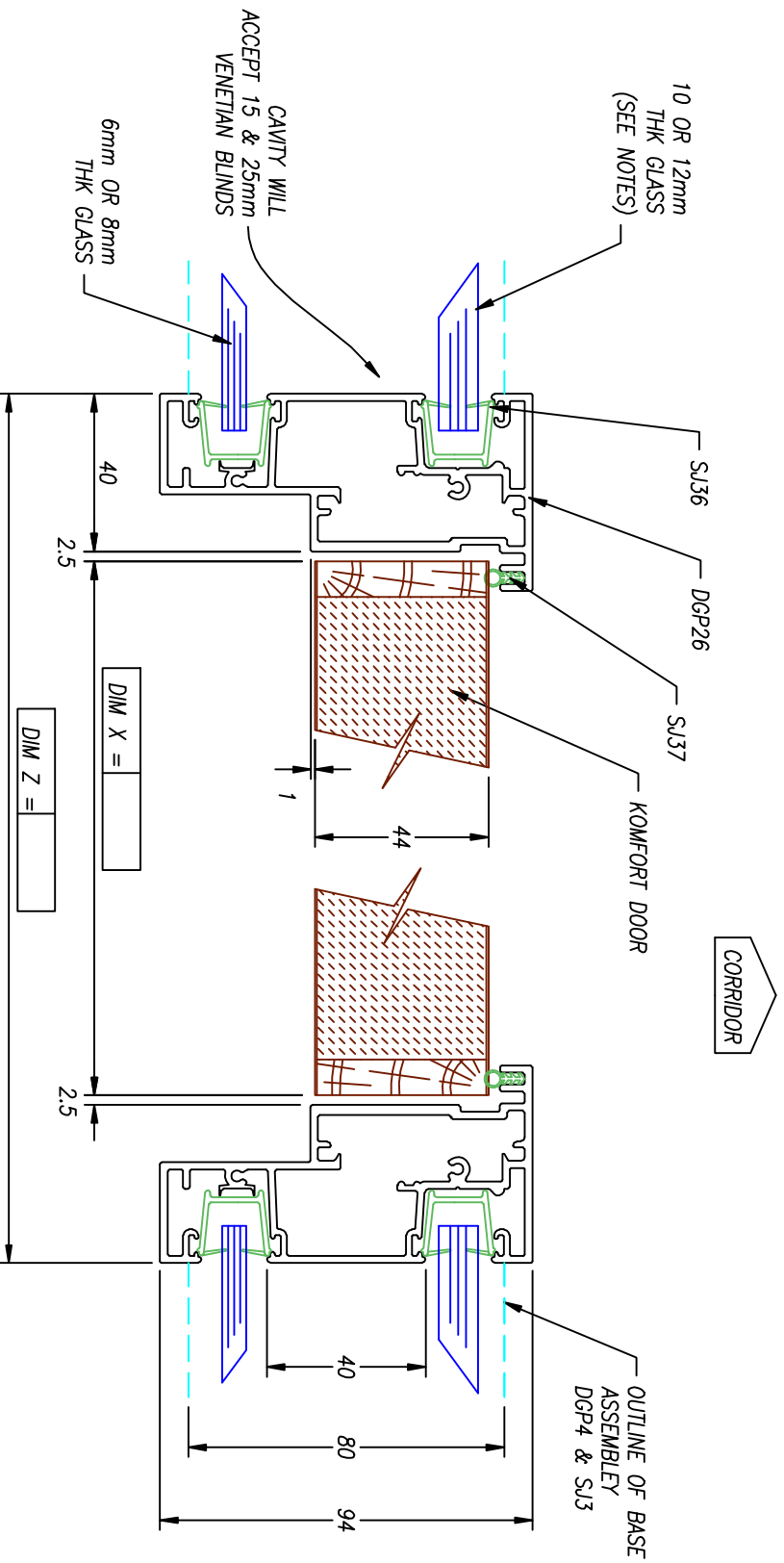
MANIFESTATION 1500mm FROM THE FINISHED  
FLOOR LEVEL MUST BE INSTALLED IN ACCORDANCE  
WITH DOCUMENT 'N' BUILDING REGULATIONS  
WHEN BLINDS ARE NOT INCLUDED

ALL DIMENSIONS ARE IN mm & NOMINAL



© COPYRIGHT & DESIGN 2007 PROPERTY OF  
KOMFORT WORKSPACE Plc  
WHITTLE WAY, CRAWLEY, WEST SUSSEX, RH10 9RT  
TEL : 01293 592500 WEB www.komfort.com  
DO NOT SCALE IF IN DOUBT ASK

DATE	09:10:07	TITLE	POLAR DOUBLE GLAZED 135 DEG CORNER SILICON SEAL DETAIL	
ISSUE		DRAWN	SSG	
MATERIAL :		CHKD		DRAWING No 14101
FINISH :		SCALE	NTS	ISSUE 2



MANIFESTATION TO GLASS FROM THE FINISHED FLOOR LEVEL MUST BE INSTALLED IN ACCORDANCE WITH DOCUMENT 'M' BUILDING REGULATIONS

ALL GLASS MUST CONFORM TO BS 6262 & DOCUMENT 'N' BUILDING REGULATIONS

GLASS THICKNESS DEPENDANT UPON PARTITION HEIGHT & LAYOUT REQUIRED

ALL DIMENSIONS ARE NOMINAL & IN mm

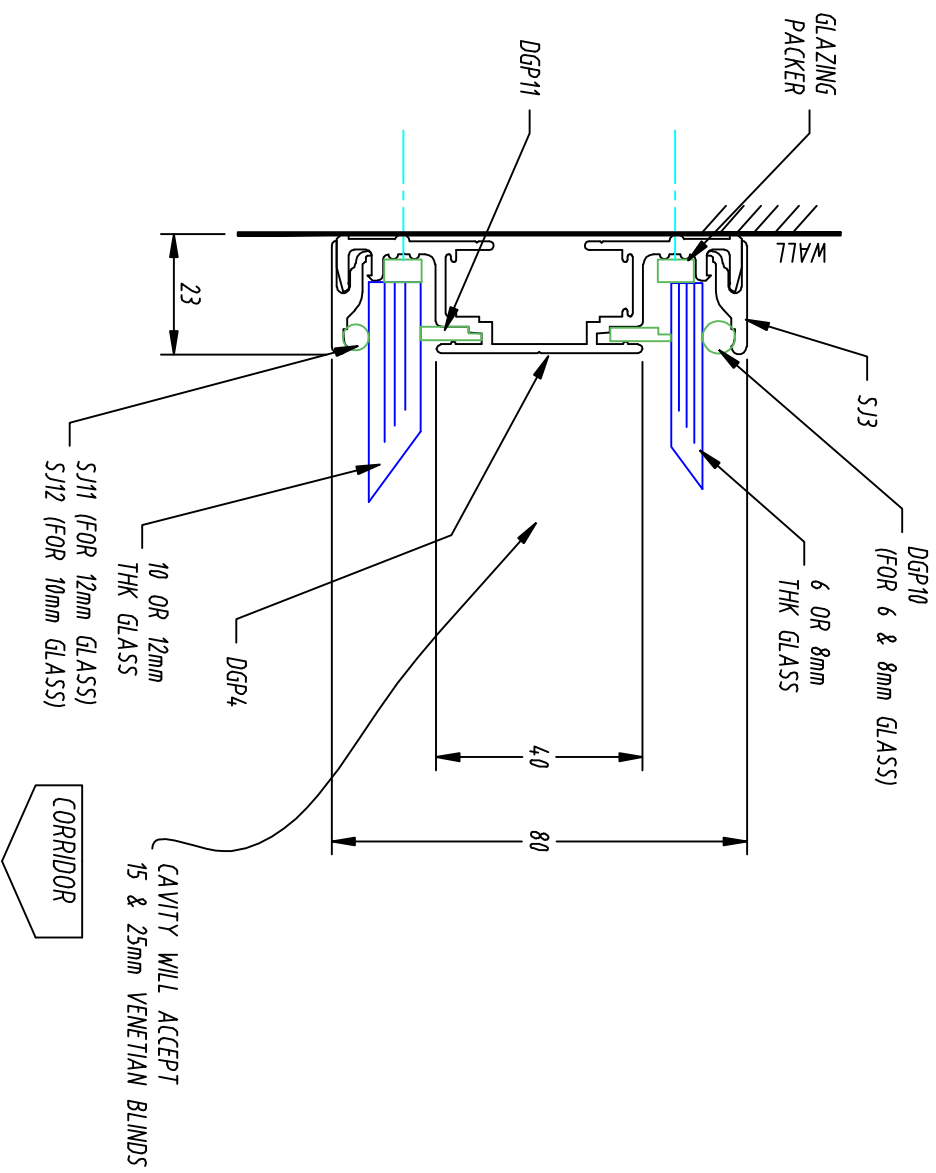
TYPE	DOOR WIDTH	DISTANCE BETWEEN DGP4 & SJ3 BASE CHANNEL $Z = X + 85$
SINGLE	X	Z
	762	847
	826	911
HOSPITAL	838	923
	1145* ( $1\frac{1}{2}$ x 762 )	1230
	1259* ( $1\frac{1}{2}$ x 838 )	1344
DOUBLE	1526* ( 2 x 762 )	1611
	1678* ( 2 x 838 )	1763

\* INCLUDES 2mm GAP BETWEEN DOORS



© COPYRIGHT & DESIGN 2007 PROPERTY OF  
 KOMFORT WORKSPACE Plc  
 WHITTLE WAY, CRAWLEY, WEST SUSSEX, RH10 9RT  
 TEL : 01293 592500 WEB www.komfort.com  
 DO NOT SCALE IF IN DOUBT ASK

ISSUE	DESCRIPTION OF CHANGE	DATE	TITLE	ISSUE
		19-09-07	POLAR DOUBLE GLAZED TIMBER DOOR MODULE USING DOOR FRAME	DGP26
MATERIAL :		DRAWN	SSG	
FINISH :		CHKD		
		SCALE	NTS	DRAWING No 14100
				ISSUE 1



THIS IS A NON FIRE PERFORMANCE ASSEMBLY

ALL GLASS MUST CONFORM TO  
BS 6262 & DOCUMENT  
'N' BUILDING REGULATIONS

DOUBLE GLAZED GLASS COMBINATIONS  
GIVEN ARE USED TO A MAXIMUM HEIGHT OF 3000mm.

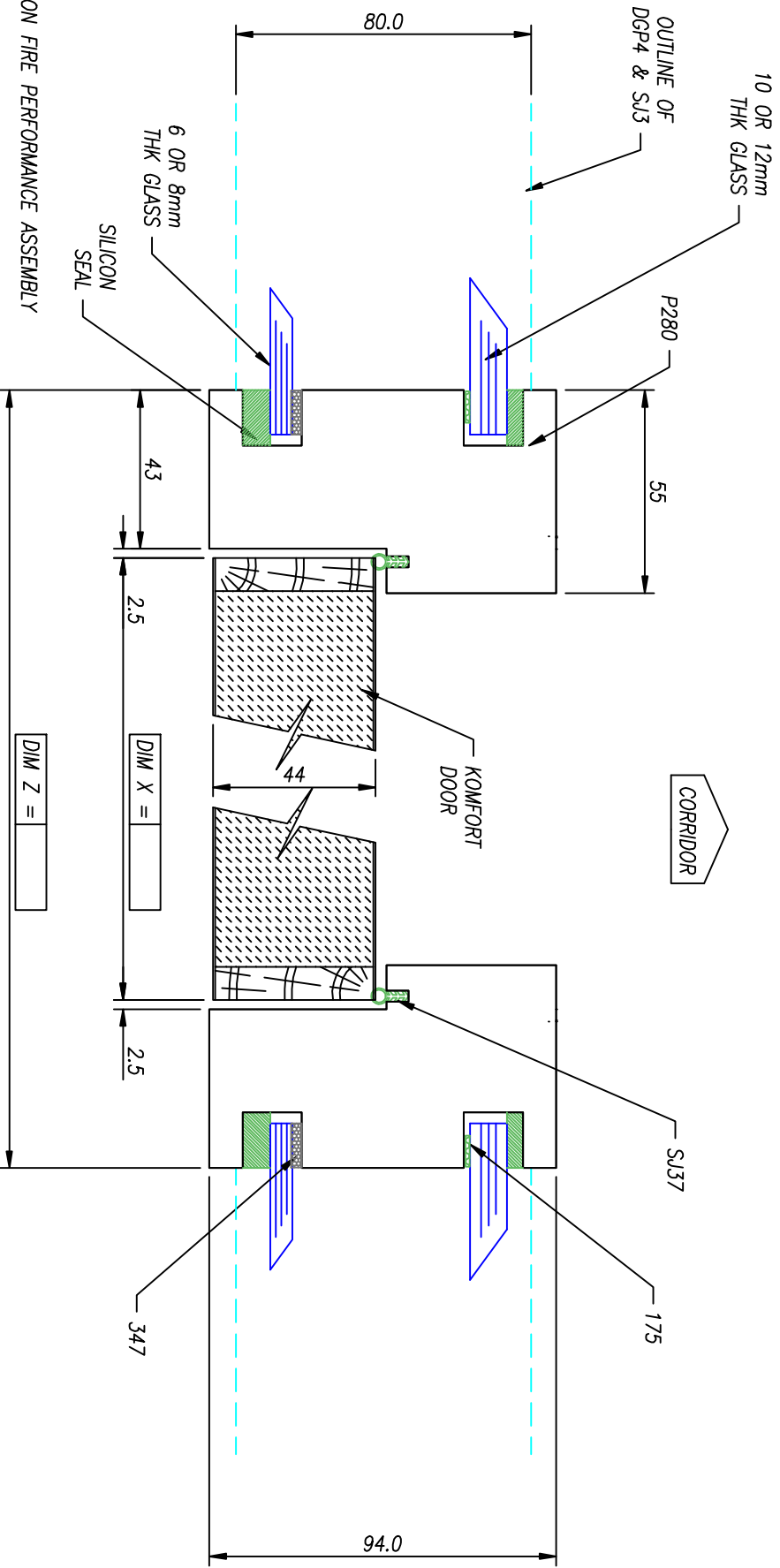
MANIFESTATION 1500mm FROM THE FINISHED  
FLOOR LEVEL MUST BE INSTALLED IN ACCORDANCE  
WITH DOCUMENT 'N' BUILDING REGULATIONS  
WHEN BLINDS ARE NOT INCLUDED

ALL DIMENSIONS ARE IN mm & NOMINAL

© COPYRIGHT & DESIGN 2007 PROPERTY OF

KOMFORT WORKSPACE Plc  
WHITTLE WAY, CRAWLEY, WEST SUSSEX, RH10 9RT  
TEL : 01293 592500 WEB www.komfort.com  
DO NOT SCALE IF IN DOUBT ASK

ISSUE	DESCRIPTION OF CHANGE	DATE	20-08-07	TITLE	POLAR DOUBLE GLAZED WALL ABUTMENT DETAIL USING DGP4 & SJ3 TRIMS	ISSUE	1
MATERIAL :		DRAWN	SSG	DRAWING No	14099		
FINISH :		CHKD		SCALE	NTS		



THIS IS A NON FIRE PERFORMANCE ASSEMBLY  
 MANIFESTATION 1500mm FROM THE FINISHED FLOOR LEVEL MUST BE INSTALLED IN ACCORDANCE WITH DOCUMENT 'N' BUILDING REGULATIONS WHEN BLINDS ARE NOT INCLUDED  
 ALL GLASS MUST CONFORM TO BS 6262 & DOCUMENT 'N' BUILDING REGULATIONS  
 ALL DIMENSIONS ARE NOMINAL & IN mm

NOTE: SCREW FIXING FOR HINGES TO BE MAXIMUM 25mm LONG

DOOR WIDTH DIM X	DISTANCE BETWEEN SJS4 & SJS3 BASE CHANNEL DIM Z
838 (SINGLE)	929
1678* (DOUBLE)	1769* (DOUBLE)

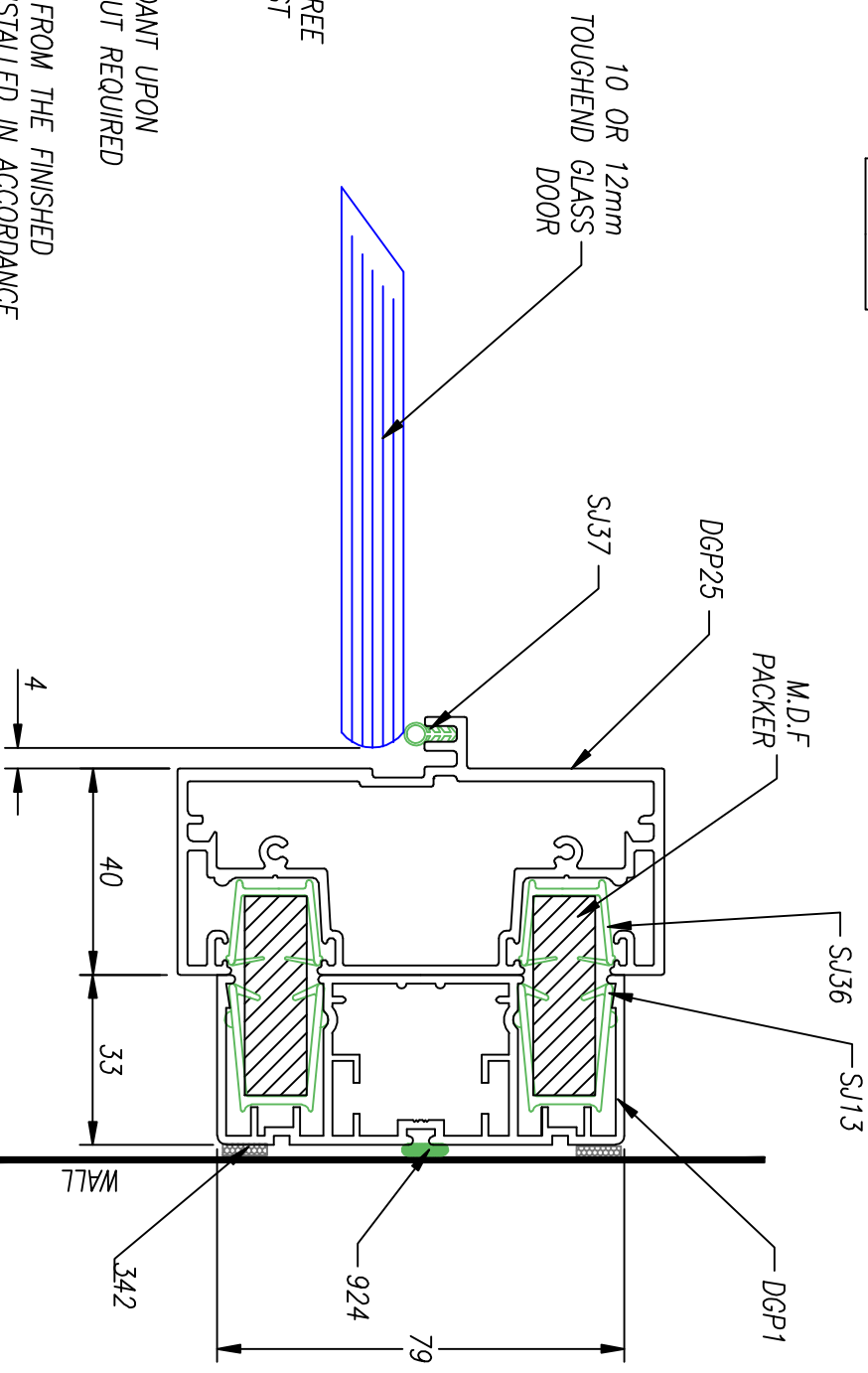
\* INCLUDES 2mm GAP BETWEEN DOORS



© COPYRIGHT & DESIGN 2007 PROPERTY OF  
 KOMFORT WORKSPACE Plc  
 WHITTLE WAY, CRAWLEY, WEST SUSSEX, RH10 9RT  
 TEL : 01293 592500 WEB www.komfort.com  
 DO NOT SCALE IF IN DOUBT ASK

ISSUE	DESCRIPTION OF CHANGE	DATE	TITLE	ISSUE
		16:08:07	DOUBLE GLAZED POLAR TIMBER DOOR MODULE IN TIMBER DOOR FRAME HORIZONTAL DETAIL	1
MATERIAL :		DRAWN	SSG	
FINISH :		CHKD		
		SCALE	NTS	
			DRAWING No	14098

CORRIDOR



MAY NOT ALLOW 90 DEGREE OPENING OF DOOR AGAINST DIVIDING WALL DUE TO IRONMONGERY.

GLASS THICKNESS DEPENDANT UPON PARTITION HEIGHT & LAYOUT REQUIRED

MANIFESTATION TO GLASS FROM THE FINISHED FLOOR LEVEL MUST BE INSTALLED IN ACCORDANCE WITH DOCUMENT 'M' BUILDING REGULATIONS

ALL GLASS MUST CONFORM TO BS 6262 & DOCUMENT 'N' BUILDING REGULATIONS

ALL DIMENSIONS ARE NOMINAL & IN mm

NOTE: DUE TO VARIATION IN WALL IT MAY BE NECESSARY PACK OUT USING SHIMS TO MAKE SURE DOOR FRAME IS VERTICALLY TRUE FOR CORRECT OPERATION OF DOOR.

© COPYRIGHT & DESIGN 2006 PROPERTY OF  
 KOMFORT WORKSPACE Plc  
 WHITTLE WAY, CRAWLEY, WEST SUSSEX, RH10 9RT  
 TEL : 01293 592500 WEB www.komfort.com  
 DO NOT SCALE IF IN DOUBT ASK

ISSUE	DESCRIPTION OF CHANGE	DATE	03/08/07	TITLE	DOUBLE GLAZED POLAR SQUARE DOOR FRAME WITH GLASS DOOR ABUTMENT (DGP1) DETAIL
MATERIAL :		DRAWN	SSG	DRAWING No	14097
FINISH :		CHKD		ISSUE	1
		SCALE	NTS		

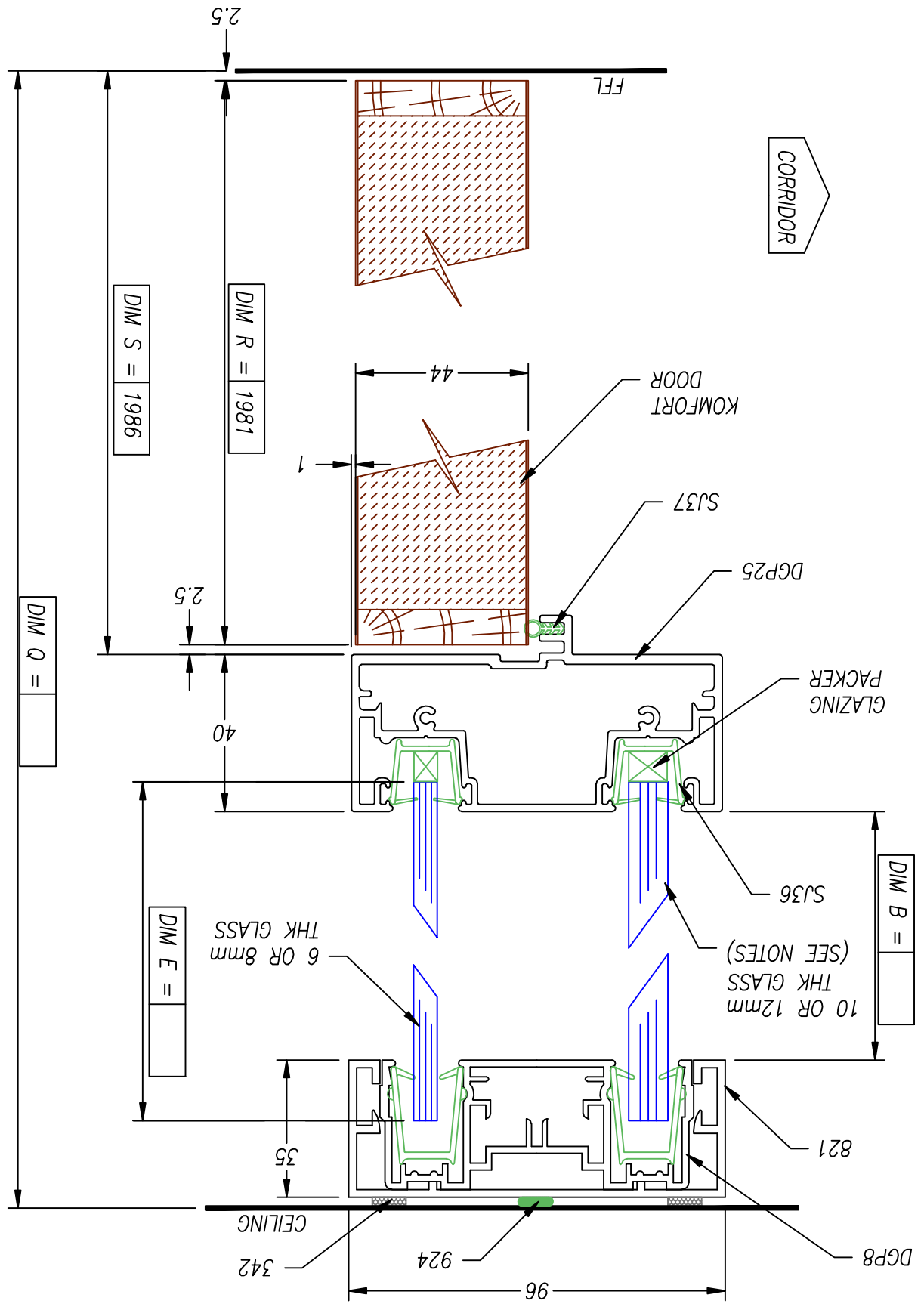


ALL GLASS MUST CONFORM TO BS 6262 & DOCUMENT 'N' BUILDING REGULATIONS

THIS IS NON FIRE PERFORMANCE ASSEMBLY

DIM Q = CEILING HEIGHT  
 DIM R = DOOR HEIGHT  
 DIM B = DIM Q - (DIM R + 80)  
 DIM E = DIM B + 20  
 DIM S = DIM R + 5

ALL DIMENSIONS ARE NOMINAL & IN mm



© COPYRIGHT & DESIGN 2007 PROPERTY OF  
 KOMFORT WORKSPACE Plc  
 WHITTLE WAY, CRAWLEY, WEST SUSSEX, RH10 9RT  
 TEL : 01293 592500 WEB www.komfort.com  
 DO NOT SCALE IF IN DOUBT ASK

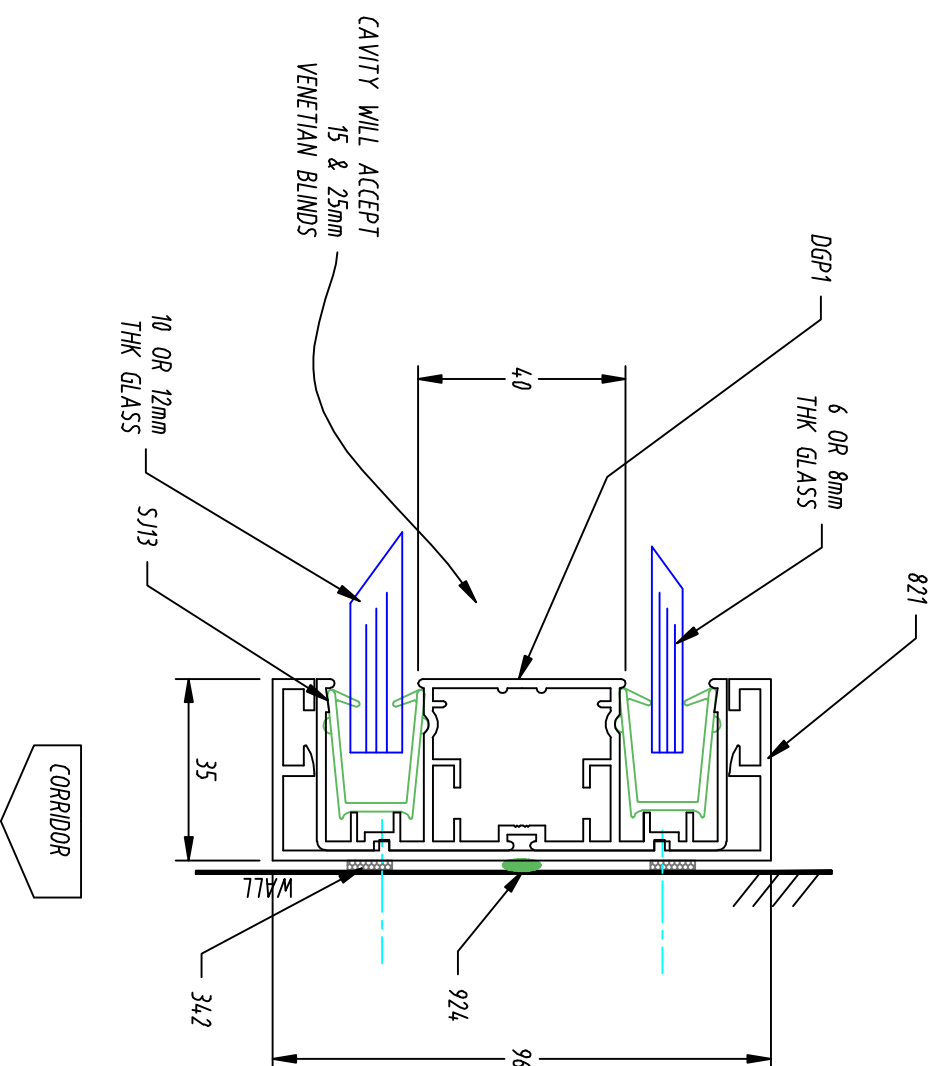
ISSUE	DESCRIPTION OF CHANGE	DATE	TITLE
1		01:08:07	POLAR DOUBLE GLAZED TIMBER DOOR WITH GLAZED ABOVE
MATERIAL :		DRAWN	SSG
FINISH :		CHKD	USING DGP25 DOOR FRAME
		SCALE	NTS
			DRAWING No 14096

THIS IS A NON FIRE PERFORMANCE ASSEMBLY  
 ALTERNATIVE DETAIL SEE DRWG 14018  
 ALL GLASS MUST CONFORM TO  
 BS 6262 & DOCUMENT  
 'N' BUILDING REGULATIONS

DOUBLE GLAZED GLASS COMBINATIONS  
 GIVEN ARE USED TO A MAXIMUM HEIGHT OF 3000mm.

MANIFESTATION 1500mm FROM THE FINISHED  
 FLOOR LEVEL MUST BE INSTALLED IN ACCORDANCE  
 WITH DOCUMENT 'N' BUILDING REGULATIONS  
 WHEN BLINDS ARE NOT INCLUDED

ALL DIMENSIONS ARE IN mm & NOMINAL

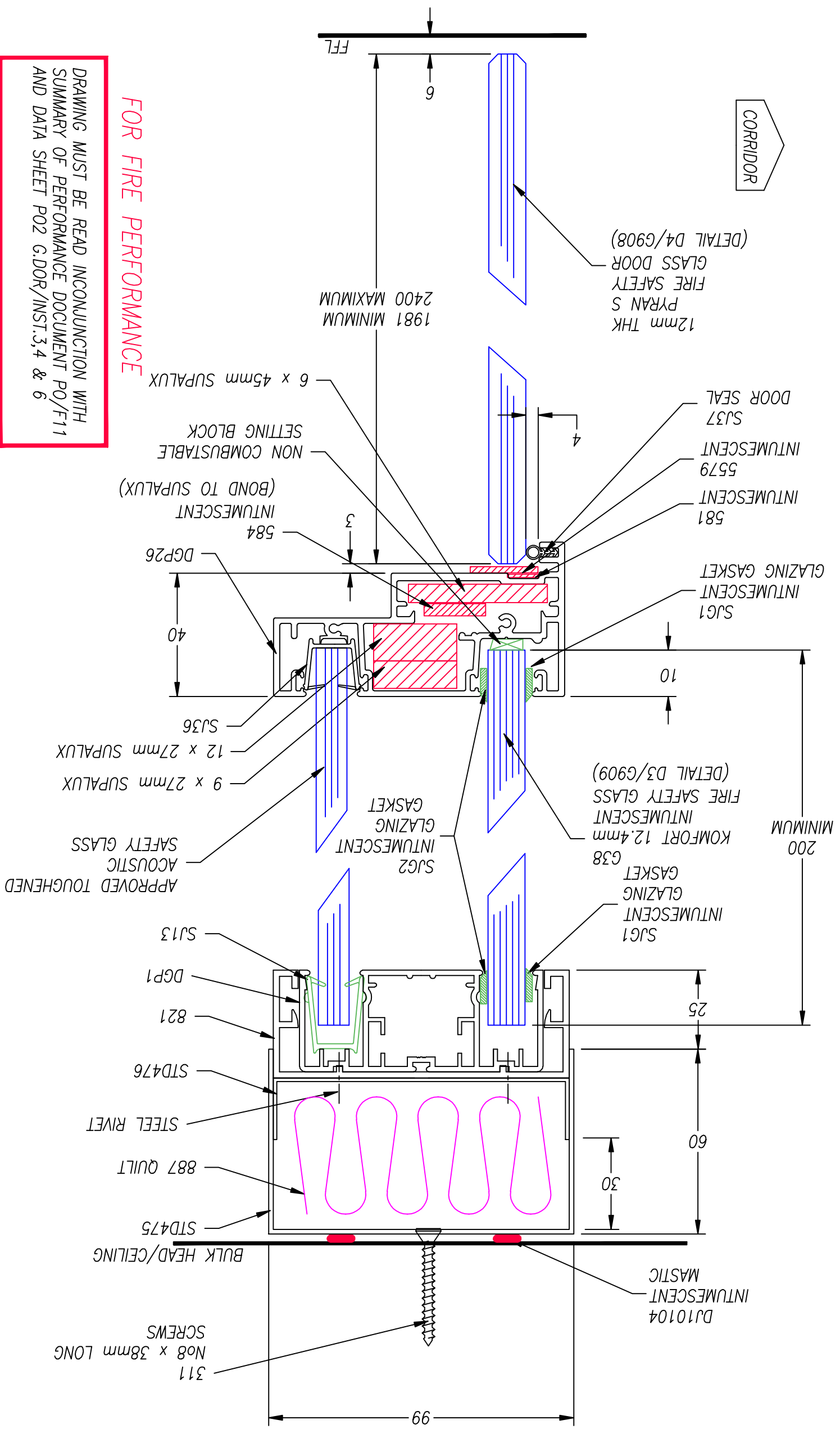


© COPYRIGHT & DESIGN 2007 PROPERTY OF  
 KOMFORT WORKSPACE Plc  
 WHITTLE WAY, CRAWLEY, WEST SUSSEX, RH10 9RT  
 TEL : 01293 592500 WEB www.komfort.com  
 DO NOT SCALE IF IN DOUBT ASK

ISSUE	DESCRIPTION OF CHANGE	DATE	07:06:07	TITLE	DOUBLE GLAZED POLAR WALL ABUTMENT USING 821 HEAD CHANNEL
MATERIAL :		DRAWN	SSG	DRAWING No	14095
FINISH :		CHKD		SCALE	NTS
		SCALE	NTS		ISSUE
					1

ALL GLASS MUST CONFORM AS REQUIRED TO BS 476:PART 22 BS 6262, BS 6206 & DOCUMENT 'N' BUILDING REGULATIONS ALL DIMENSIONS ARE NOMINAL & IN mm

**FOR FIRE PERFORMANCE**  
DRAWING MUST BE READ IN CONJUNCTION WITH SUMMARY OF PERFORMANCE DOCUMENT PO/F11 AND DATA SHEET P02 G.DOR/INST.3,4 & 6



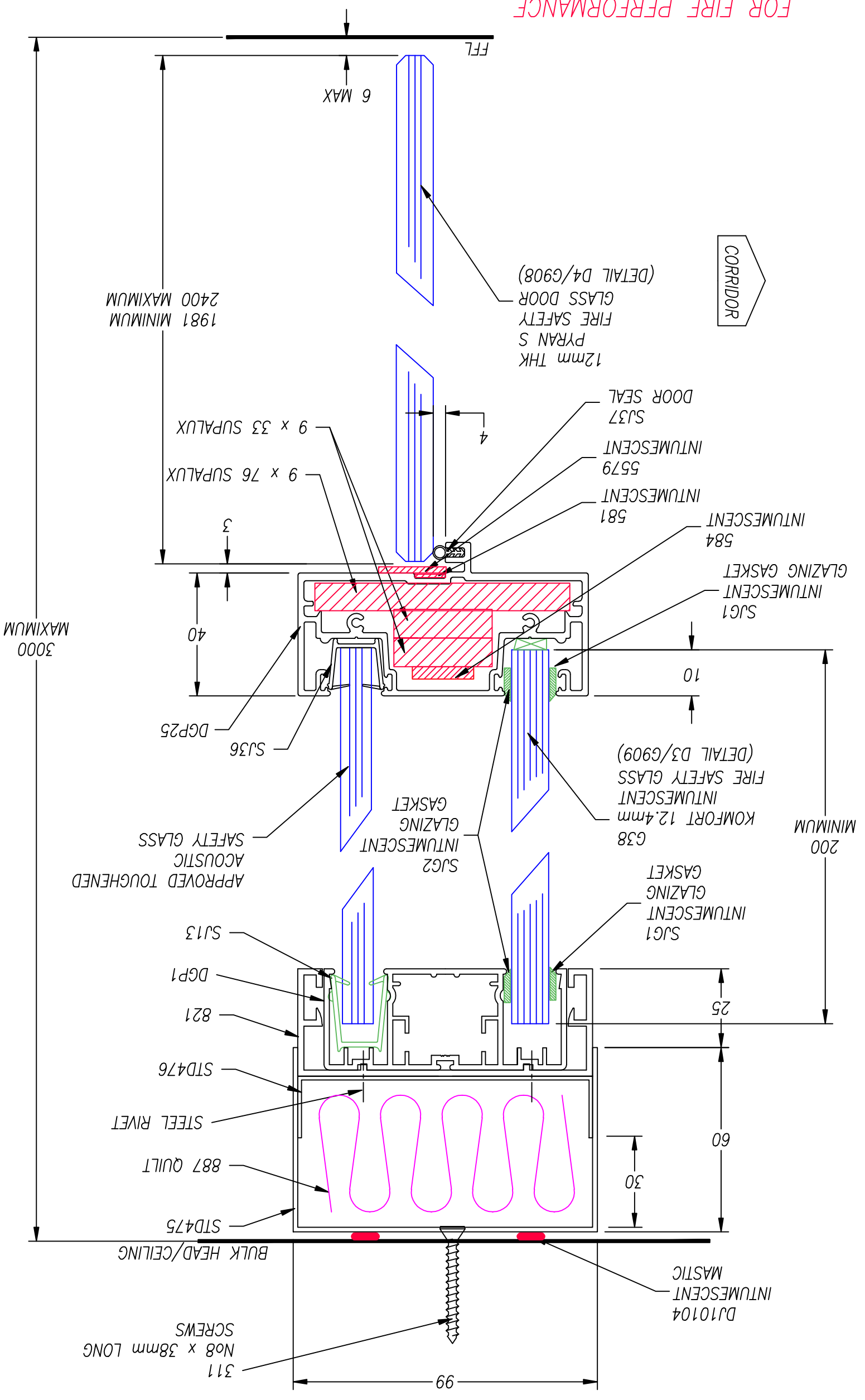
ISSUE	DESCRIPTION OF CHANGE	DATE	05:06:07	TITLE	POLARTEC DOUBLE GLAZED DEFLECTION HEAD
MATERIAL :		DRAWN	SSG		30min FIRE PERFORMANCE GLASS DOOR GLAZED ABOVE VERTICAL DETAIL DGP26 DOOR FRAME
FINISH :		CHKD	CHKD	DRAWING No	14094
		SCALE	NTS	ISSUE	3

ISSUE	DESCRIPTION OF CHANGE	DATE	DRAWN	SSG	TITLE POLARTIC DOUBLE GLAZED DEFLECTION HEAD 30min FIRE PERFORMANCE GLASS DOOR GLAZED ABOVE VERTICAL DETAIL DGP25 DOOR FRAME DRAWING No <b>14093</b>
MATERIAL :		CHKD	NTS		
FINISH :		SCALE	NTS		ISSUE <b>3</b>

ALL GLASS MUST CONFORM  
AS REQUIRED TO BS 476:PART 22  
BS 6262, BS 6206 & DOCUMENT  
'N' BUILDING REGULATIONS  
ALL DIMENSIONS ARE NOMINAL & IN mm

DRAWING MUST BE READ IN CONJUNCTION WITH  
SUMMARY OF PERFORMANCE DOCUMENT PO/F11  
AND DATA SHEET P02 G.DOR/INST.3,4 & 5

**FOR FIRE PERFORMANCE**



3000  
MAXIMUM

200  
MINIMUM

CORRIDOR

12mm THK  
PYRAN S  
FIRE SAFETY  
GLASS DOOR  
(DETAIL D4/G908)

581 INTUMESCENT  
584 INTUMESCENT  
5579 INTUMESCENT  
SJ37 DOOR SEAL

SG1 INTUMESCENT  
GLAZING GASKET

G38 KOMFORT 12.4mm  
INTUMESCENT  
FIRE SAFETY GLASS  
(DETAIL D3/G909)

SJ36 DGP25  
SAFETY GLASS  
APPROVED TOUGHENED  
ACUSTIC

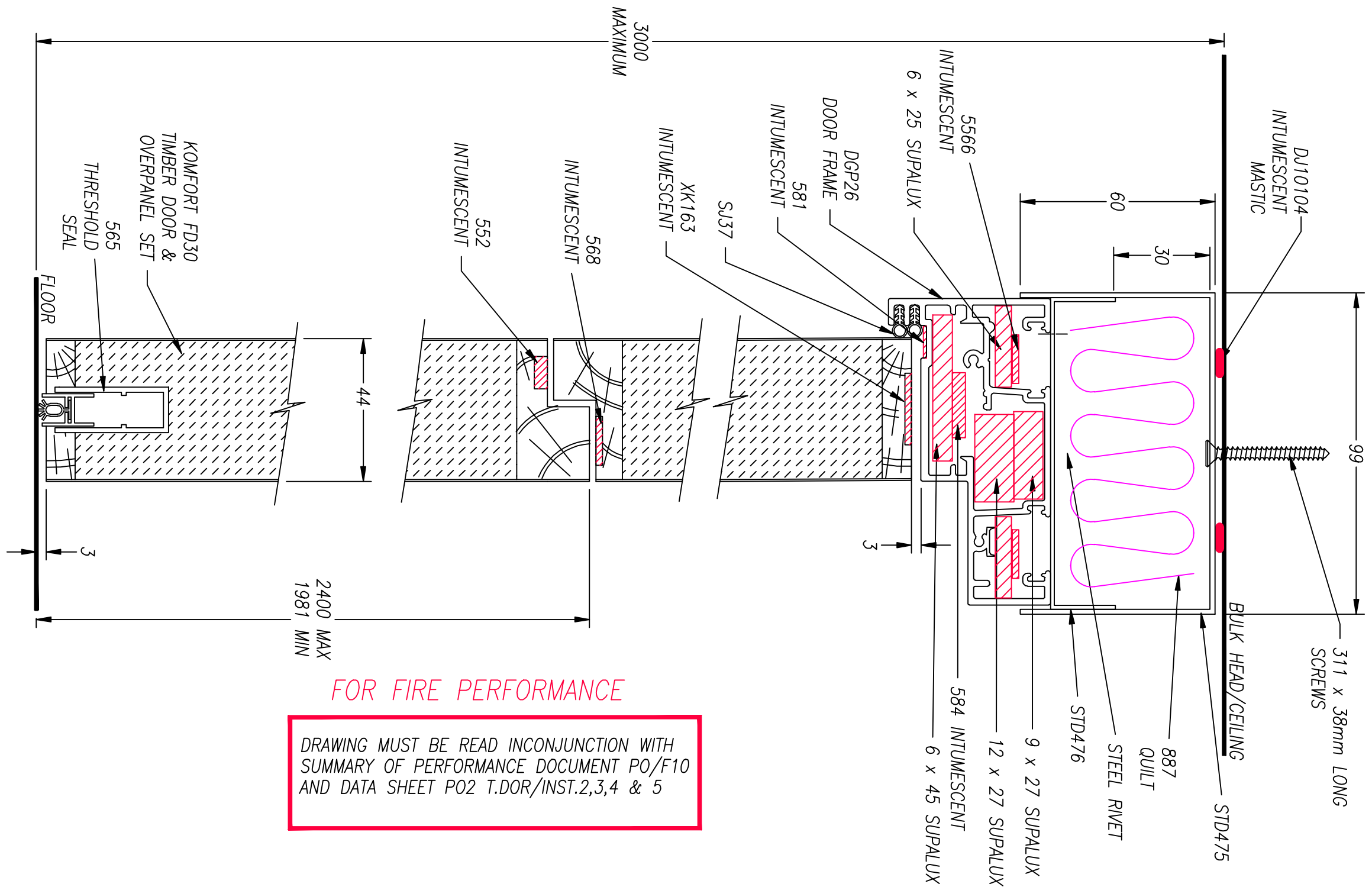
SG1 INTUMESCENT  
GLAZING GASKET

SJ13  
DGP1  
821

STD476  
STEEL RIVET  
887 QUILT

DJ10104  
INTUMESCENT  
MASTIC

STD475  
BULK HEAD/CEILING  
311 No8 x 38mm LONG  
SCREWS



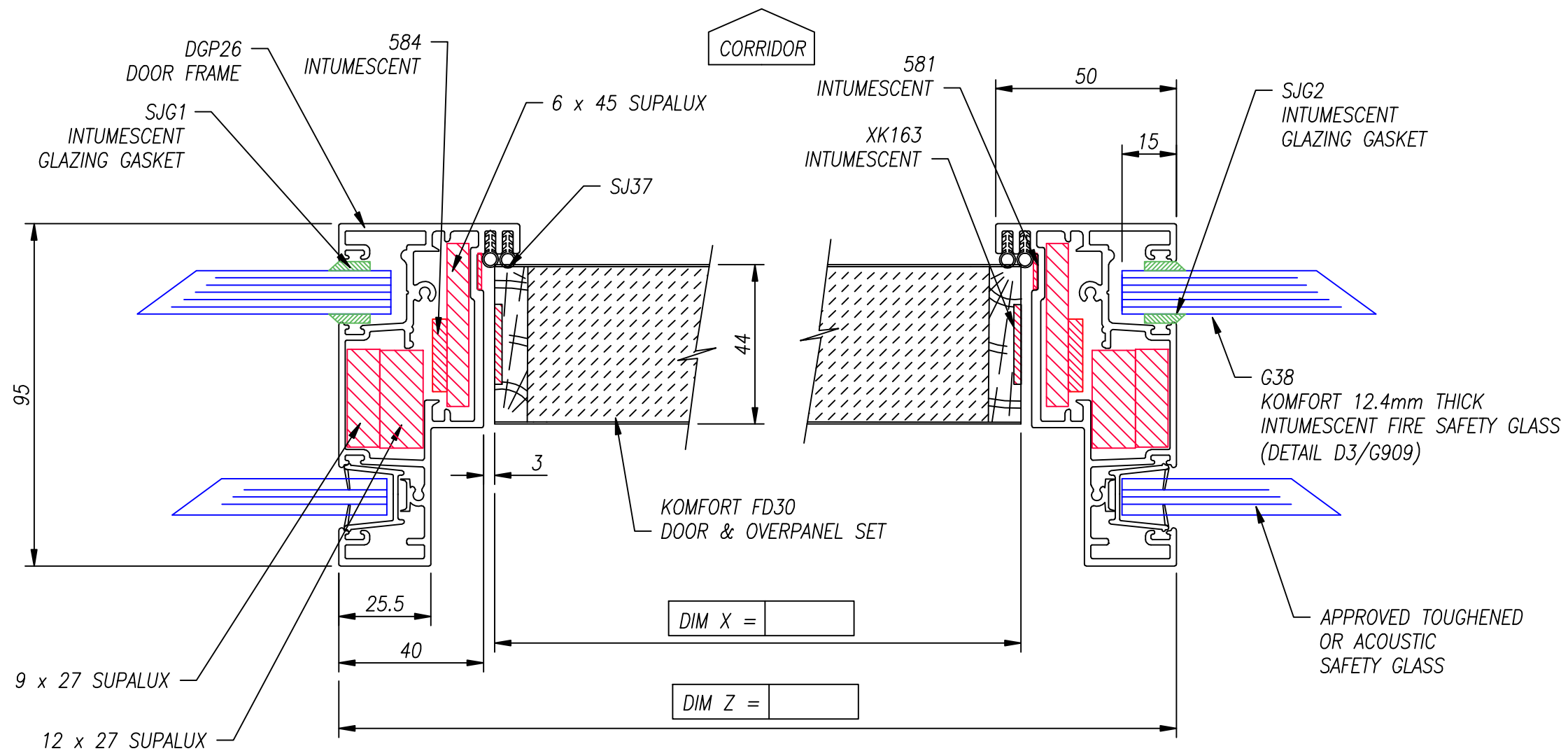
ALL DIMENSIONS ARE NOMINAL & IN mm



© COPYRIGHT & DESIGN 2007 PROPERTY OF  
 KOMFORT WORKSPACE Plc  
 WHITTLE WAY, CRAWLEY, WEST SUSSEX, RH10 9RT  
 TEL : 01293 592500 WEB www.komfort.com

DO NOT SCALE IF IN DOUBT ASK

DATE	05:06:07	TITLE	POLARTEC DOUBLE GLAZED DEFLECTION HEAD 30min FIRE PERFORMANCE TIMBER DOOR & OVER PANEL VERTICAL DETAIL DGP26 DOOR FRAME
ISSUE		DRAWN	SSG
MATERIAL :		CHKD	
FINISH :		SCALE	NTS
DRAWING No			ISSUE
14092			2



**FOR FIRE PERFORMANCE**

DRAWING MUST BE READ INCONJUNCTION WITH SUMMARY OF PERFORMANCE DOCUMENT PO/F10 AND DATA SHEET PO2 T.DOR/INST.2,3,4 & 5

TYPE	DOOR WIDTH	DISTANCE BETWEEN DGP4 & SJ3 BASE CHANNEL
		Z = X + 86
SINGLE	X	Z
	762	848
	826	912
HOSPITAL	838	924
	1145* ( 1½ x 762 )	1231
DOUBLE	1259* ( 1½ x 838 )	1345
	1526* ( 2 x 762 )	1612
	1678* ( 2 x 838 )	1764

\* INCLUDES 2mm GAP BETWEEN DOORS

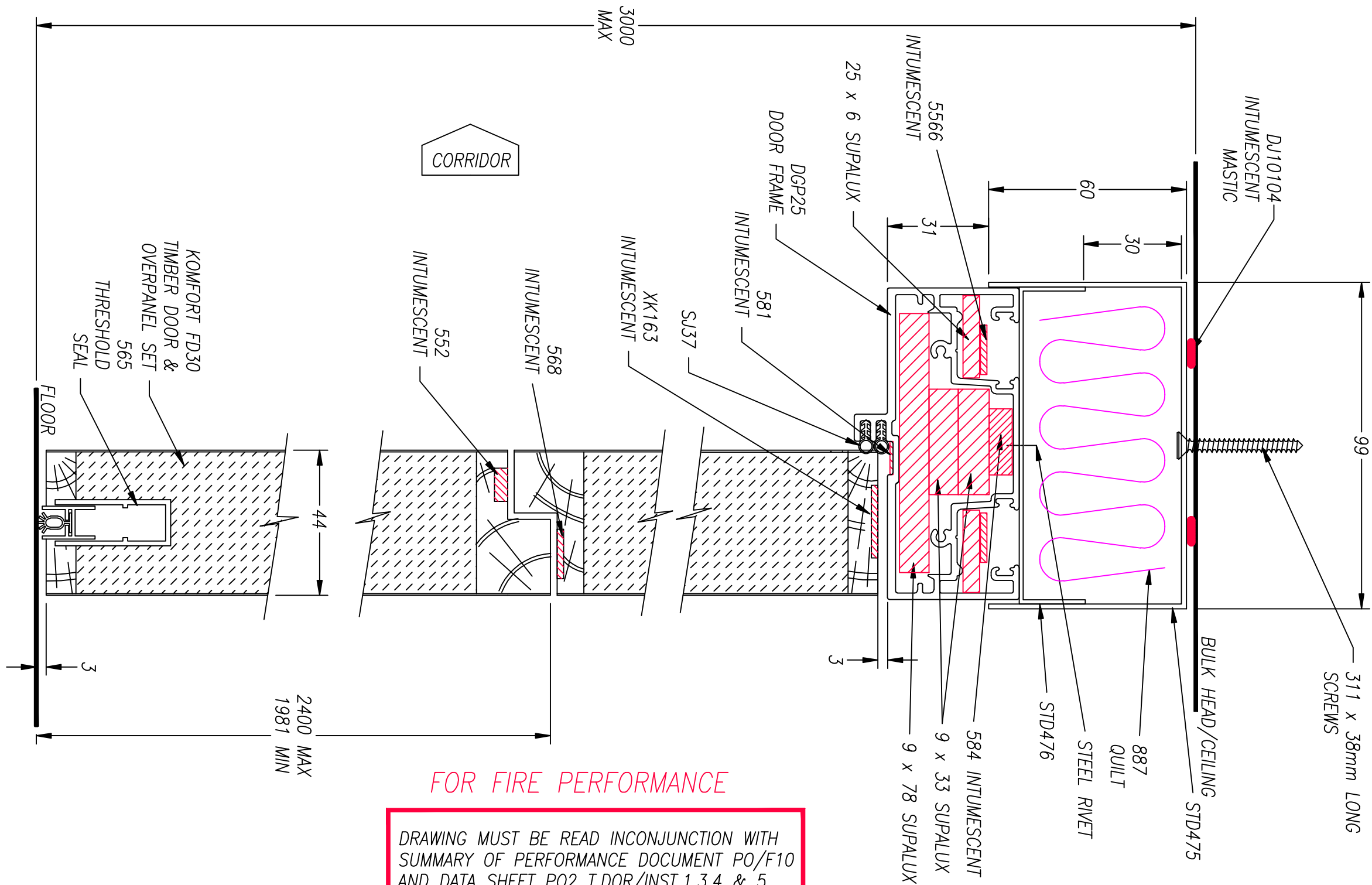
ALL GLASS MUST CONFORM AS REQUIRED TO BS 476:PART 22 BS 6262, BS 6206 & DOCUMENT 'N' BUILDING REGULATIONS

ALL DIMENSIONS ARE NOMINAL & IN mm



© COPYRIGHT & DESIGN 2007 PROPERTY OF KOMFORT WORKSPACE Plc WHITTLE WAY, CRAWLEY, WEST SUSSEX, RH10 9RT TEL : 01293 592500 WEB www.komfort.com DO NOT SCALE IF IN DOUBT ASK

DATE	05:06:07	TITLE	POLARTEC DOUBLE GLAZED DEFLECTION HEAD 30min FIRE PERFORMANCE TIMBER DOOR & OVER PANEL VERTICAL DETAIL DGP26 DOOR FRAME	
ISSUE	DESCRIPTION OF CHANGE	DRAWN	SSG	DRAWING No
MATERIAL :		CHKD		14091
FINISH :		SCALE	NTS	ISSUE
				3



**FOR FIRE PERFORMANCE**

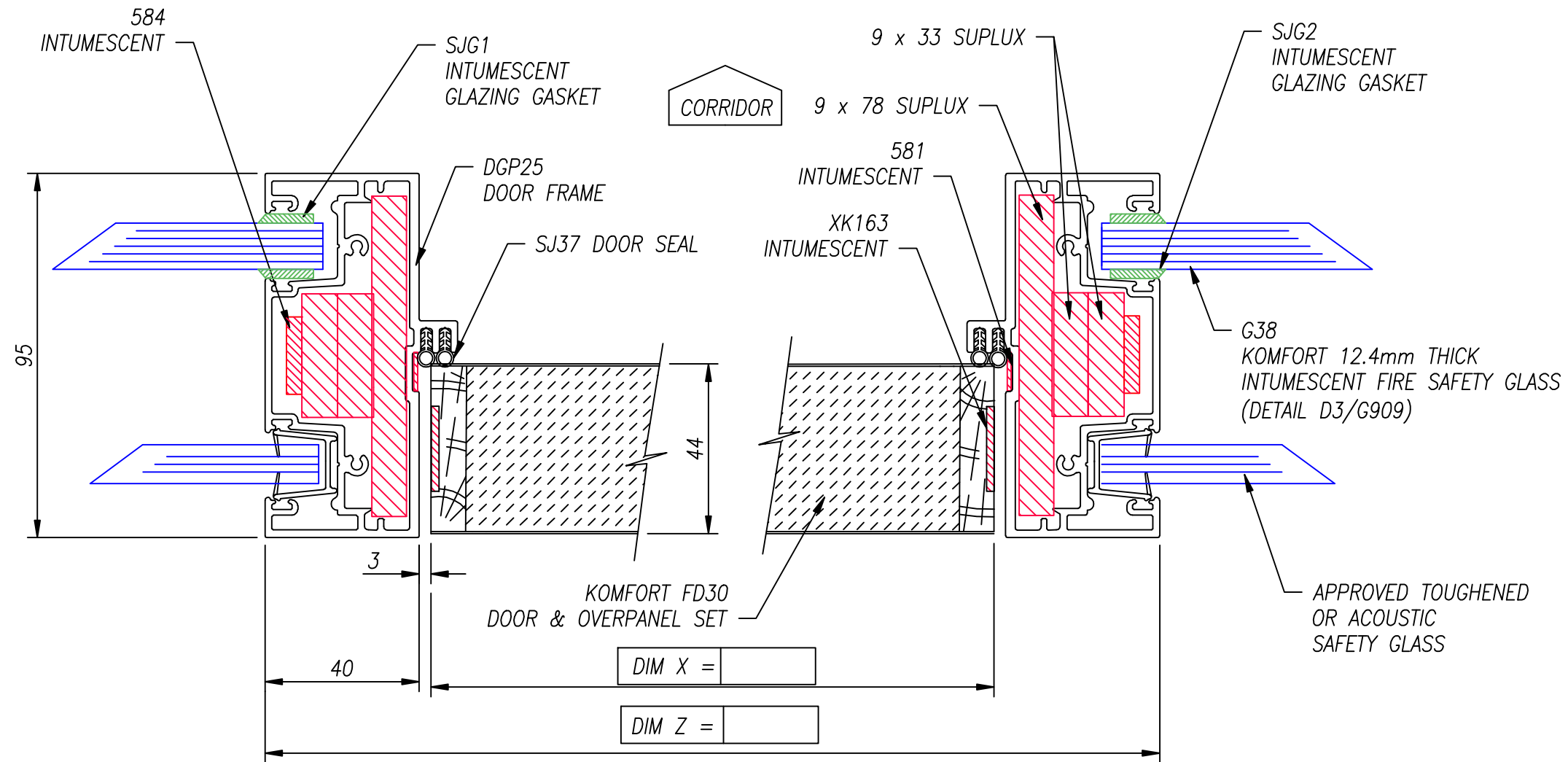
DRAWING MUST BE READ INCONJUNCTION WITH  
SUMMARY OF PERFORMANCE DOCUMENT PO/F10  
AND DATA SHEET PO2 T.DOR/INST.1,3,4 & 5

ALL DIMENSIONS ARE NOMINAL & IN mm



© COPYRIGHT & DESIGN 2007 PROPERTY OF  
KOMFORT WORKSPACE Plc  
WHITTLE WAY, CRAWLEY, WEST SUSSEX, RH10 9RT  
TEL : 01293 592500 WEB www.komfort.com  
DO NOT SCALE IF IN DOUBT ASK

DATE	05:06:07	TITLE	POLARTEC DOUBLE GLAZED DEFLECTION HEAD 30min FIRE PERFORMANCE TIMBER DOOR & OVER PANEL VERTICAL DETAIL DGP25 DOOR FRAME
ISSUE		DRAWN	SSG
MATERIAL :		CHKD	
FINISH :		SCALE	NTS
DRAWING No			ISSUE
14090			2



**FOR FIRE PERFORMANCE**

DRAWING MUST BE READ INCONJUNCTION WITH SUMMARY OF PERFORMANCE DOCUMENT PO/F10 AND DATA SHEET PO2 T.DOR/INST.1,3,4 & 5

TYPE	DOOR WIDTH	DISTANCE BETWEEN DGP4 & SJ3 BASE CHANNEL $Z = X + 86$
	X	Z
SINGLE	762	848
	826	912
	838	924
HOSPITAL	1145* ( 1½ x 762 )	1231
	1259* ( 1½ x 838 )	1345
DOUBLE	1526* ( 2 x 762 )	1612
	1678* ( 2 x 838 )	1764

\* INCLUDES 2mm GAP BETWEEN DOORS

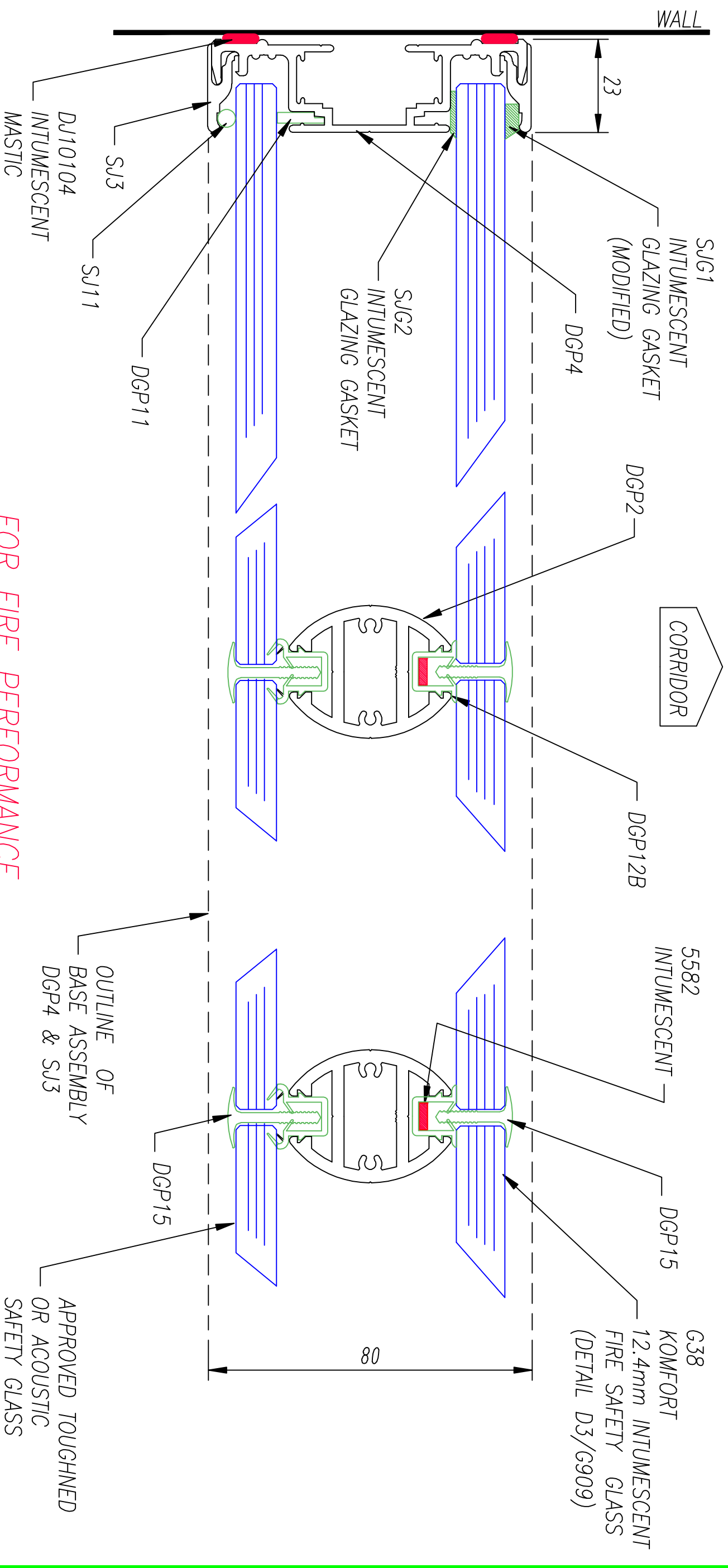
ALL GLASS MUST CONFORM AS REQUIRED TO BS 476:PART 22 BS 6262, BS 6206 & DOCUMENT 'N' BUILDING REGULATIONS

ALL DIMENSIONS ARE NOMINAL & IN mm



© COPYRIGHT & DESIGN 2007 PROPERTY OF KOMFORT WORKSPACE Plc  
WHITTLE WAY, CRAWLEY, WEST SUSSEX, RH10 9RT  
TEL : 01293 592500 WEB www.komfort.com  
DO NOT SCALE IF IN DOUBT ASK

DATE	05:06:07	TITLE	POLARTEC DOUBLE GLAZED DEFLECTION HEAD 30min FIRE PERFORMANCE TIMBER DOOR & OVER PANEL HORIZONTAL DETAIL DGP25 DOOR FRAME
ISSUE	DESCRIPTION OF CHANGE	DRAWN	SSG
MATERIAL :		CHKD	
FINISH :		SCALE	NTS
DRAWING No			14089
ISSUE			3



ALL GLASS MUST CONFORM AS REQUIRED TO BS 476:PART 22 BS 6262, BS 6206 & DOCUMENT 'N' BUILDING REGULATIONS

ALL DIMENSIONS ARE NOMINAL & IN mm

**DRAWING MUST BE READ IN CONJUNCTION WITH SUMMARY OF PERFORMANCE DOCUMENT P0/F6 AND DATA SHEET P02 GLA/INST.2**

**FOR FIRE PERFORMANCE**

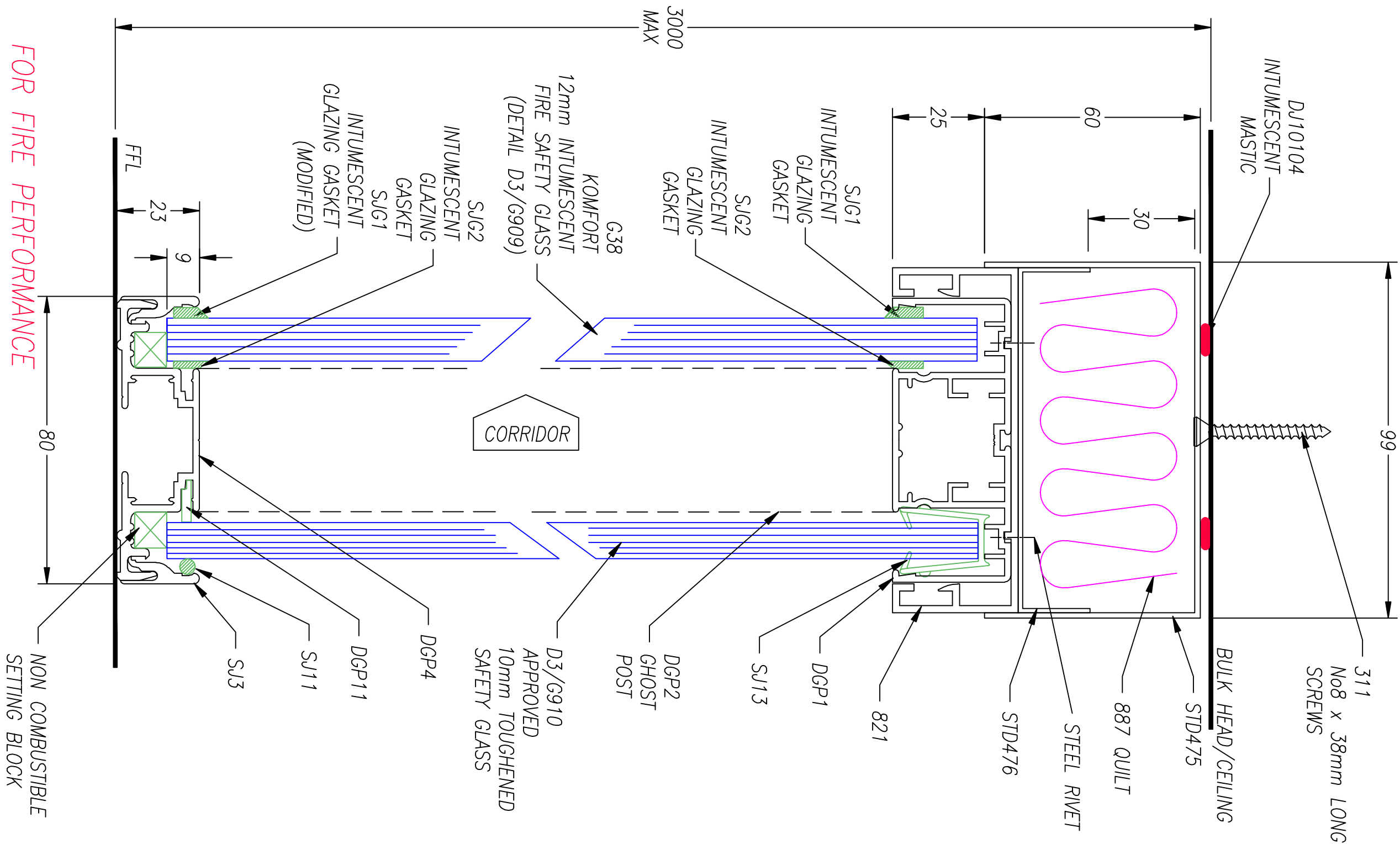
© COPYRIGHT & DESIGN 2007 PROPERTY OF

KOMFORT WORKSPACE Plc  
 WHITTLE WAY, CRAWLEY, WEST SUSSEX, RH10 9RT  
 TEL : 01293 592500 WEB www.komfort.com

DO NOT SCALE IF IN DOUBT ASK

ISSUE	DESCRIPTION OF CHANGE	DATE	DRAWN	SSG	TITLE	ISSUE
MATERIAL :		04:06:07	CHKD		POLARTEC DOUBLE GLAZED WALL ABUTMENT & HORIZONTAL DETAIL	3
FINISH :			SCALE	NTS	30min FIRE PERFORMANCE GHOST POST DRAWING No 14088	





**FOR FIRE PERFORMANCE**

DRAWING MUST BE READ INCONJUNCTION WITH SUMMARY OF PERFORMANCE DOCUMENT PO/F6 AND DATA SHEET P02 GLA/INST.2

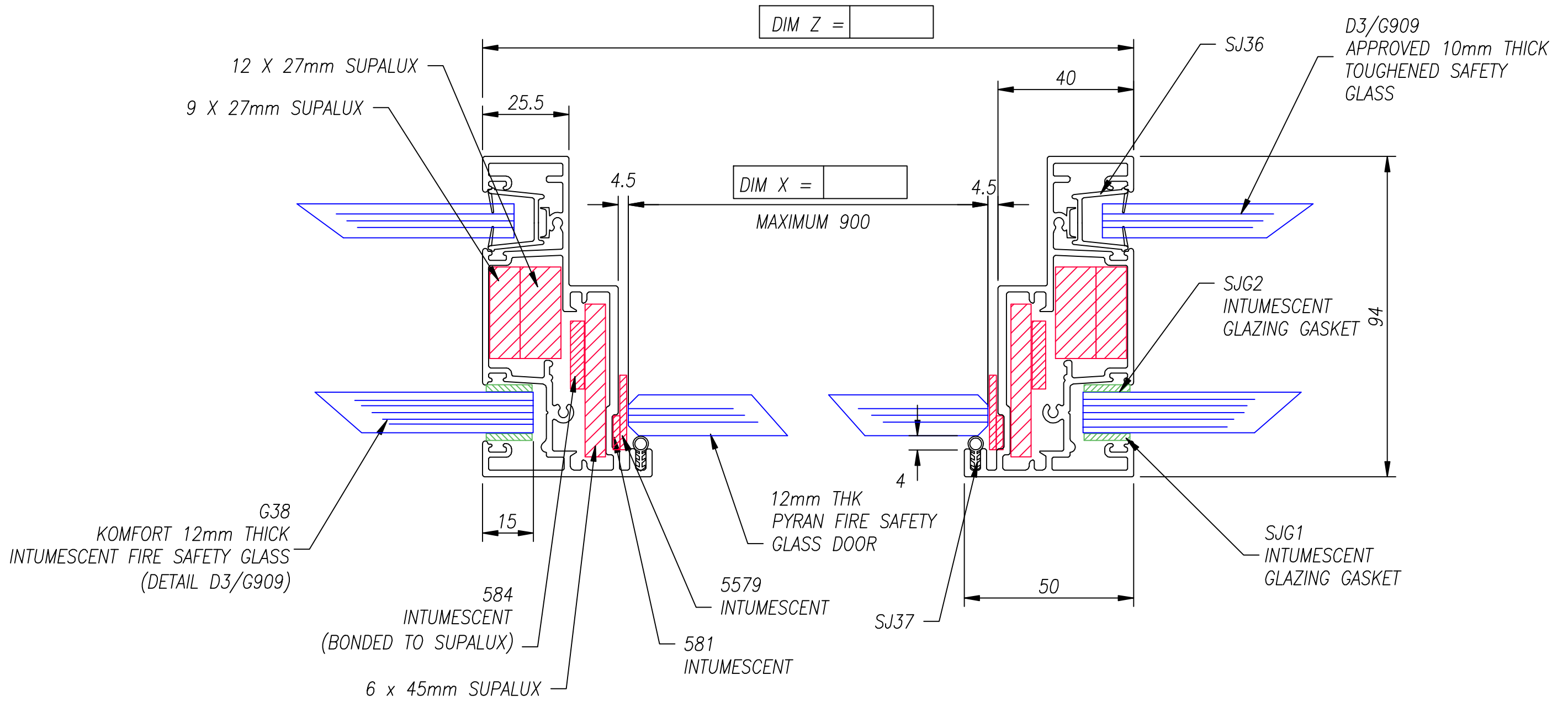
ALL GLASS MUST CONFORM AS REQUIRED TO BS 476:PART 22 BS 6262, BS 6206 & DOCUMENT 'N' BUILDING REGULATIONS

ALL DIMENSIONS ARE NOMINAL & IN mm



© COPYRIGHT & DESIGN 2007 PROPERTY OF KOMFORT WORKSPACE Plc  
 WHITTLE WAY, CRAWLEY, WEST SUSSEX, RH10 9RT  
 TEL : 01293 592500 WEB www.komfort.com  
 DO NOT SCALE IF IN DOUBT ASK

DATE	04:06:07	TITLE	POLARTEC DOUBLE GLAZED 30min FIRE PERFORMANCE WITH DEFLECTION HEAD & GHOST POST VERTICAL DETAIL	
ISSUE		DRAWN	SSG	
MATERIAL :		CHKD		DRAWING No
FINISH :		SCALE	NTS	14087
				ISSUE
				2



**FOR FIRE PERFORMANCE**

CORRIDOR

DRAWING MUST BE READ INCONJUNCTION WITH SUMMARY OF PERFORMANCE DOCUMENT PO/F5 AND DATA SHEET PO2 G.DOR/INST.1,3 & 4

DOOR WIDTH DIM X	DISTANCE BETWEEN DGP4 & SJ3 BASE CHANNEL DIM Z
835 (SINGLE)	924

ALL GLASS MUST CONFORM AS REQUIRED TO BS 476:PART 22 BS 6262, BS 6206 & DOCUMENT 'N' BUILDING REGULATIONS

ALL DIMENSIONS ARE NOMINAL & IN mm



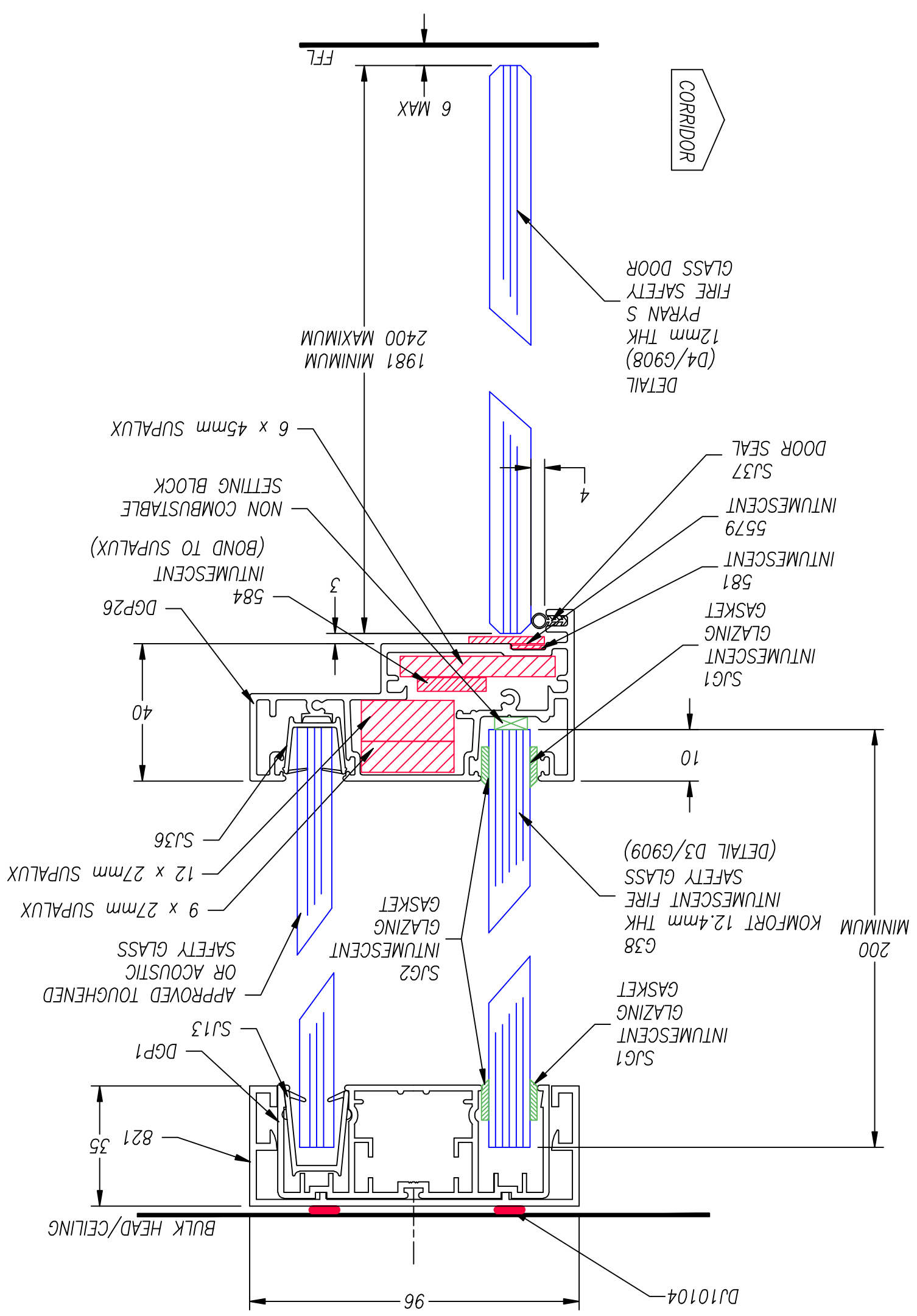
© COPYRIGHT & DESIGN 2007 PROPERTY OF  
 KOMFORT WORKSPACE Plc  
 WHITTLE WAY, CRAWLEY, WEST SUSSEX, RH10 9RT  
 TEL : 01293 592500 WEB www.komfort.com  
 DO NOT SCALE IF IN DOUBT ASK

ISSUE	DESCRIPTION OF CHANGE	DATE	04:06:07	TITLE	POLAR DOUBLE GLAZED 30min FIRE PERFORMANCE GLASS DOOR HORIZONTAL DETAIL DGP26 DOOR FRAME
MATERIAL :		DRAWN	SSG	DRAWING No	14086
FINISH :		CHKD		ISSUE	2
		SCALE	NTS		

ALL GLASS MUST CONFORM  
 AS REQUIRED TO BS 476:PART 22  
 BS 6262, BS 6206 & DOCUMENT  
 'N' BUILDING REGULATIONS  
 ALL DIMENSIONS ARE NOMINAL & IN mm

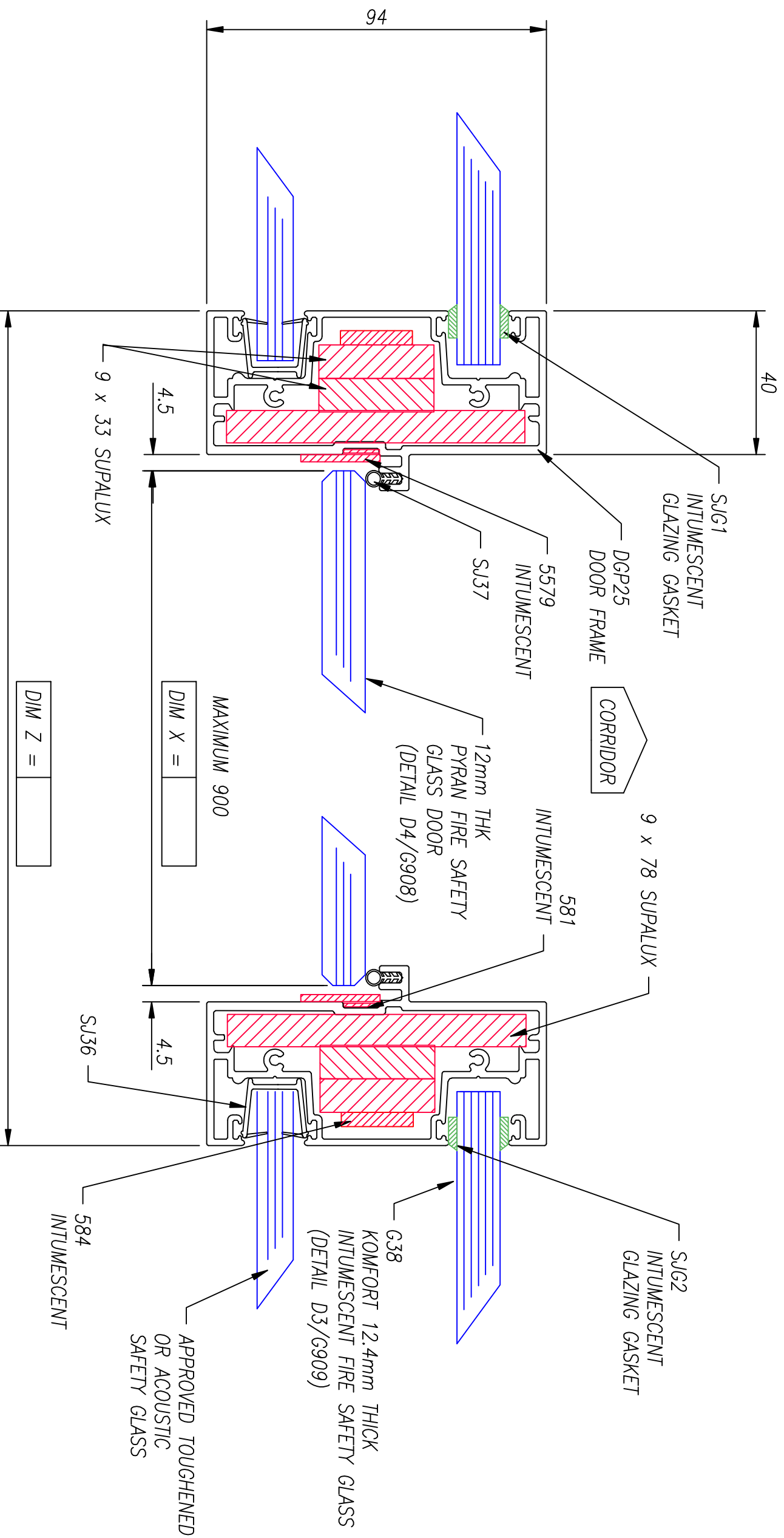
DRAWING MUST BE READ IN CONJUNCTION WITH  
 SUMMARY OF PERFORMANCE DOCUMENT PO/F5  
 AND DATA SHEET P02 G.DOR/INST.1,3 & 4

FOR FIRE PERFORMANCE



© COPYRIGHT & DESIGN 2007 PROPERTY OF  
 KOMFORT WORKSPACE Plc  
 WHITTLE WAY, CRAWLEY, WEST SUSSEX, RH10 9RT  
 TEL : 01293 592500 WEB www.komfort.com  
 DO NOT SCALE IF IN DOUBT ASK

ISSUE	DESCRIPTION OF CHANGE	DATE	04:06:07	TITLE	POLAR DOUBLE GLAZED 30min FIRE PERFORMANCE GLASS DOOR & OVER PANEL DGP26 DOOR FRAME
MATERIAL :		DRAWN	SSG	DRAWING No	14085
FINISH :		CHKD	NTS	ISSUE	3



**FOR FIRE PERFORMANCE**

DRAWING MUST BE READ IN CONJUNCTION WITH SUMMARY OF PERFORMANCE DOCUMENT PO/FS5 AND DATA SHEET PO2 G.DOR/INST.2,3 & 4

DOOR WIDTH DIM X	DISTANCE BETWEEN DGP4 & SJ3 BASE CHANNEL DIM Z
835 (SINGLE)	924

ALL GLASS MUST CONFORM AS REQUIRED TO BS 476:PART 22 BS 6262, BS 6206 & DOCUMENT 'N' BUILDING REGULATIONS  
ALL DIMENSIONS ARE NOMINAL & IN mm



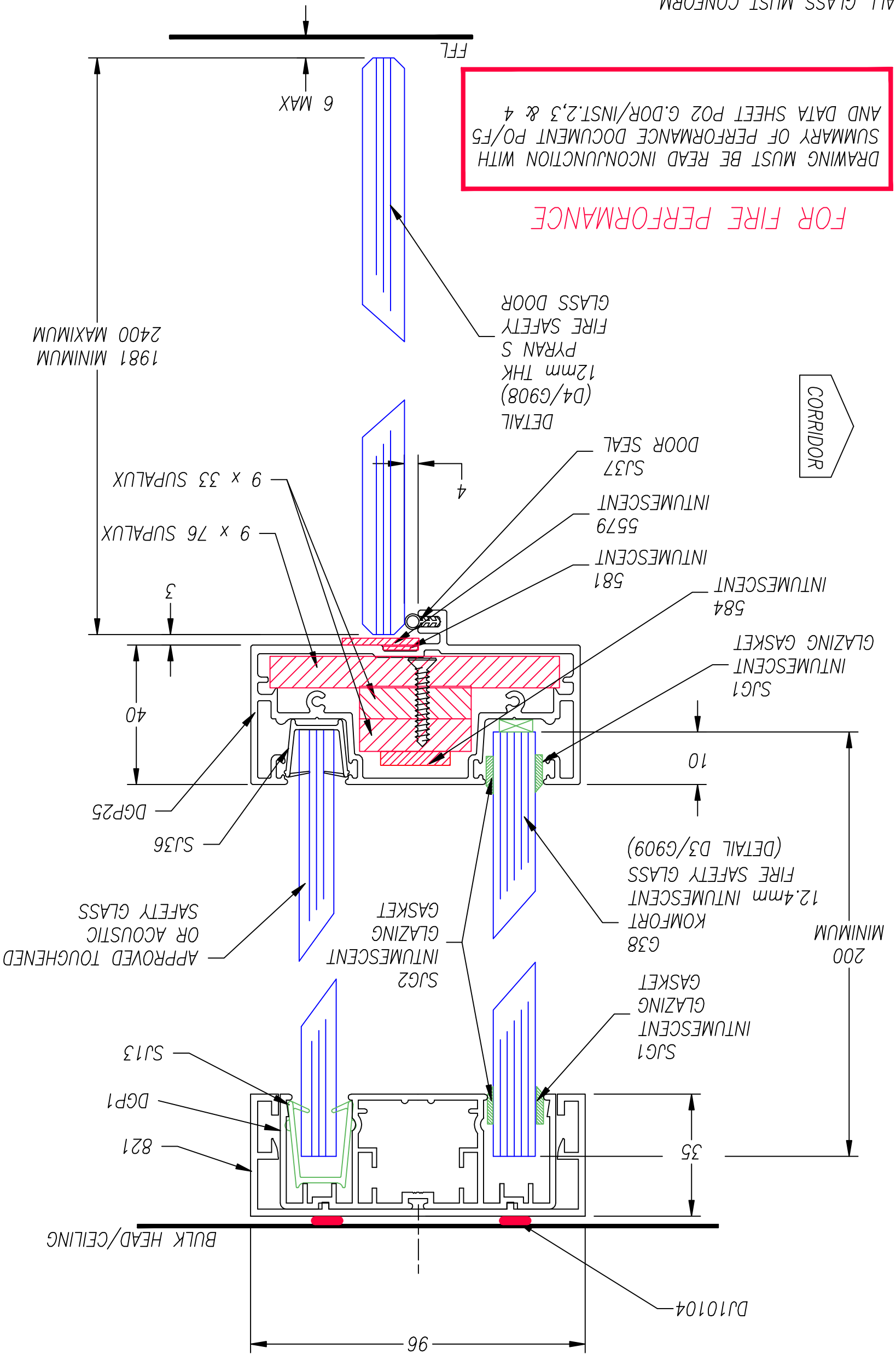
© COPYRIGHT & DESIGN 2007 PROPERTY OF  
KOMFORT WORKSPACE Plc  
WHITTLE WAY, CRAWLEY, WEST SUSSEX, RH10 9RT  
TEL : 01293 592500 WEB www.komfort.com  
DO NOT SCALE IF IN DOUBT ASK

ISSUE	DESCRIPTION OF CHANGE	DATE	04:06:07	TITLE	POLAR DOUBLE GLAZED 30min FIRE PERFORMANCE GLASS DOOR HORIZONTAL DETAIL DGP25 DOOR FRAME
MATERIAL :		DRAWN	SSG	DRAWING No	14084
FINISH :		CHKD		ISSUE	3
		SCALE	NTS		

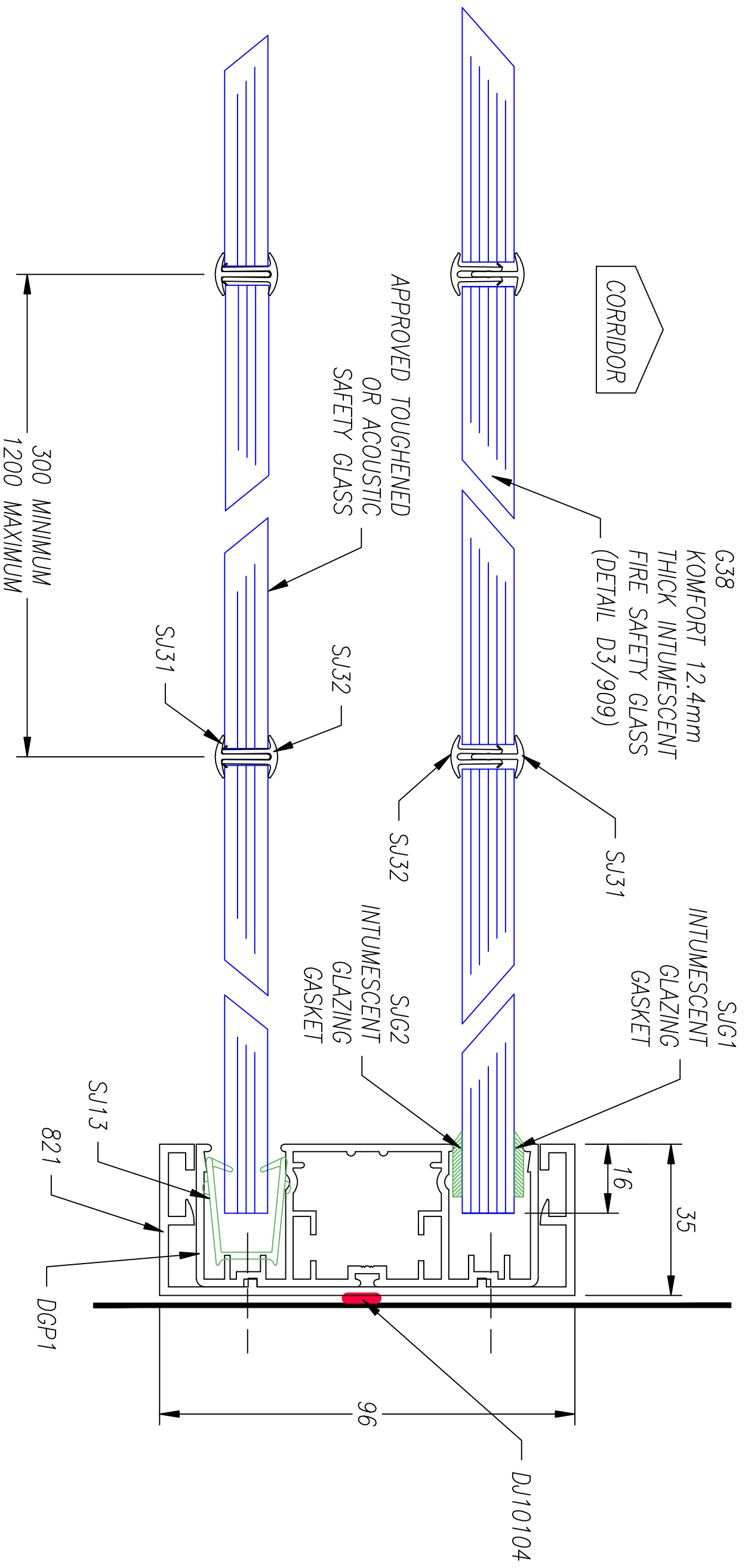
ALL GLASS MUST CONFORM AS REQUIRED TO BS 476:PART 22 BS 6262, BS 6206 & DOCUMENT 'N' BUILDING REGULATIONS ALL DIMENSIONS ARE NOMINAL & IN mm

DRAWING MUST BE READ IN CONJUNCTION WITH SUMMARY OF PERFORMANCE DOCUMENT PO/F5 AND DATA SHEET P02 G.DOR/INST.2,3 & 4

FOR FIRE PERFORMANCE



ISSUE	DESCRIPTION OF CHANGE	DATE	04:06:07	TITLE	POLAR DOUBLE GLAZED 30min FIRE PERFORMANCE GLASS DOOR & OVERPANEL DG25 DOOR FRAME
MATERIAL :		DRAWN	SSG	DRAWING No	14083
FINISH :		CHKD	NTS	ISSUE	3
		SCALE	NTS		



ALL GLASS MUST CONFORM AS REQUIRED TO BS 476:PART 22 BS 6262, BS 6206 & DOCUMENT 'N' BUILDING REGULATIONS

ALL DIMENSIONS ARE NOMINAL & IN mm

**DRAWING MUST BE READ IN CONJUNCTION WITH SUMMARY OF PERFORMANCE DOCUMENT PO/F4 AND DATA SHEET P02 GLA/INST.1**

**FOR FIRE PERFORMANCE**



© COPYRIGHT & DESIGN 2007 PROPERTY OF  
 KOMFORT WORKSPACE Plc  
 WHITTLE WAY, CRAWLEY, WEST SUSSEX, RH10 9RT  
 TEL : 01293 592500 WEB www.komfort.com  
 DO NOT SCALE IF IN DOUBT ASK

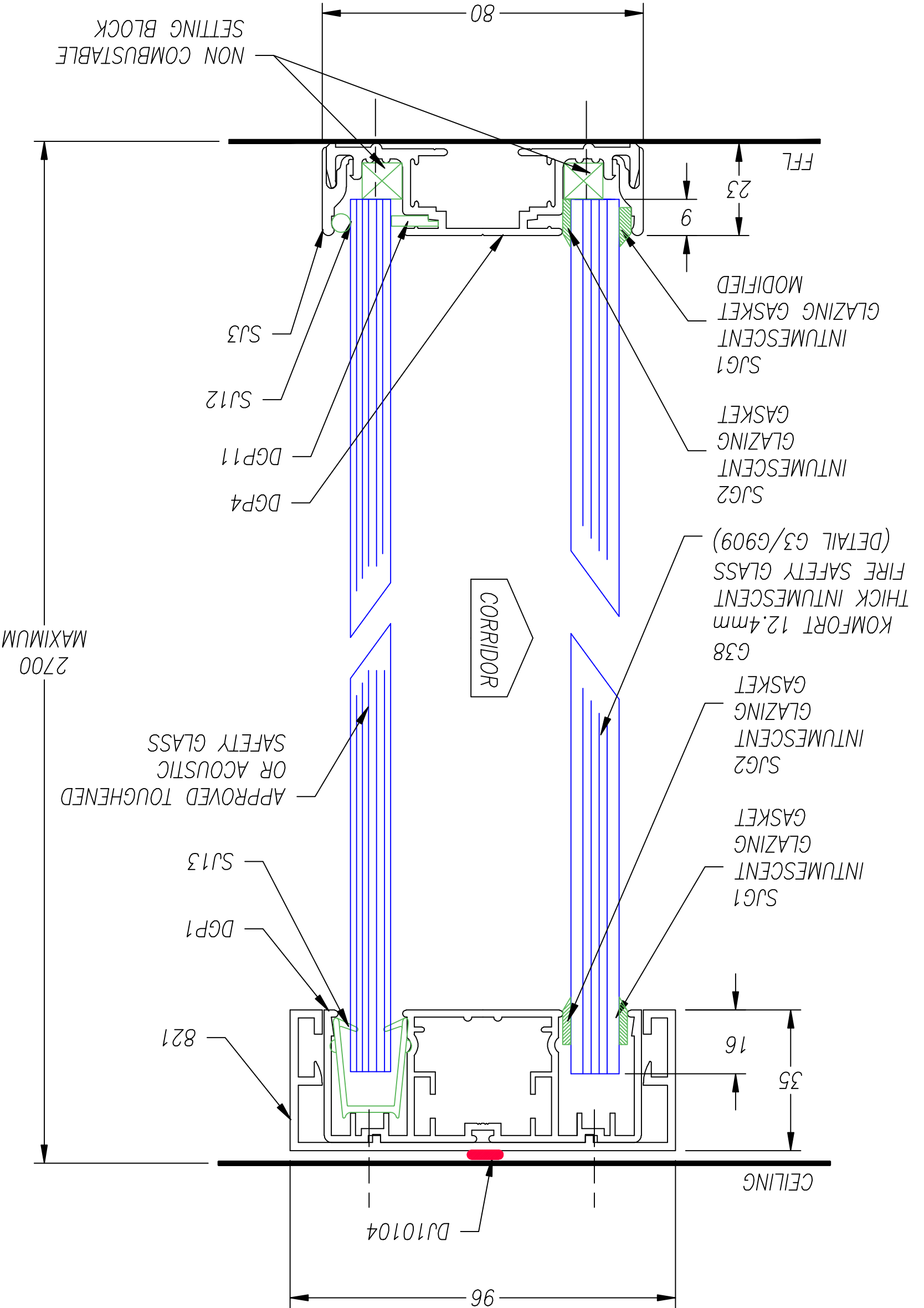
ISSUE	DESCRIPTION OF CHANGE	DATE	04:06:07	TITLE	POLAR DOUBLE GLAZED WALL ABUTMENT & HORIZONTAL DETAIL	ISSUE
MATERIAL :		DRAWN	SSG		30min FIRE PERFORMANCE DRY JOINT	3
FINISH :		CHKD		DRAWING No	14082	
		SCALE	NTS			

ALL GLASS MUST CONFORM AS REQUIRED TO BS 476:PART 22 BS 6262, BS 6206 & DOCUMENT 'N', BUILDING REGULATIONS

ALL DIMENSIONS ARE NOMINAL & IN mm

DRAWING MUST BE READ IN CONJUNCTION WITH SUMMARY OF PERFORMANCE DOCUMENT P0/F4 AND DATA SHEETS P02 GLA/INST.1 P02 GLA/INST.3

FOR FIRE PERFORMANCE

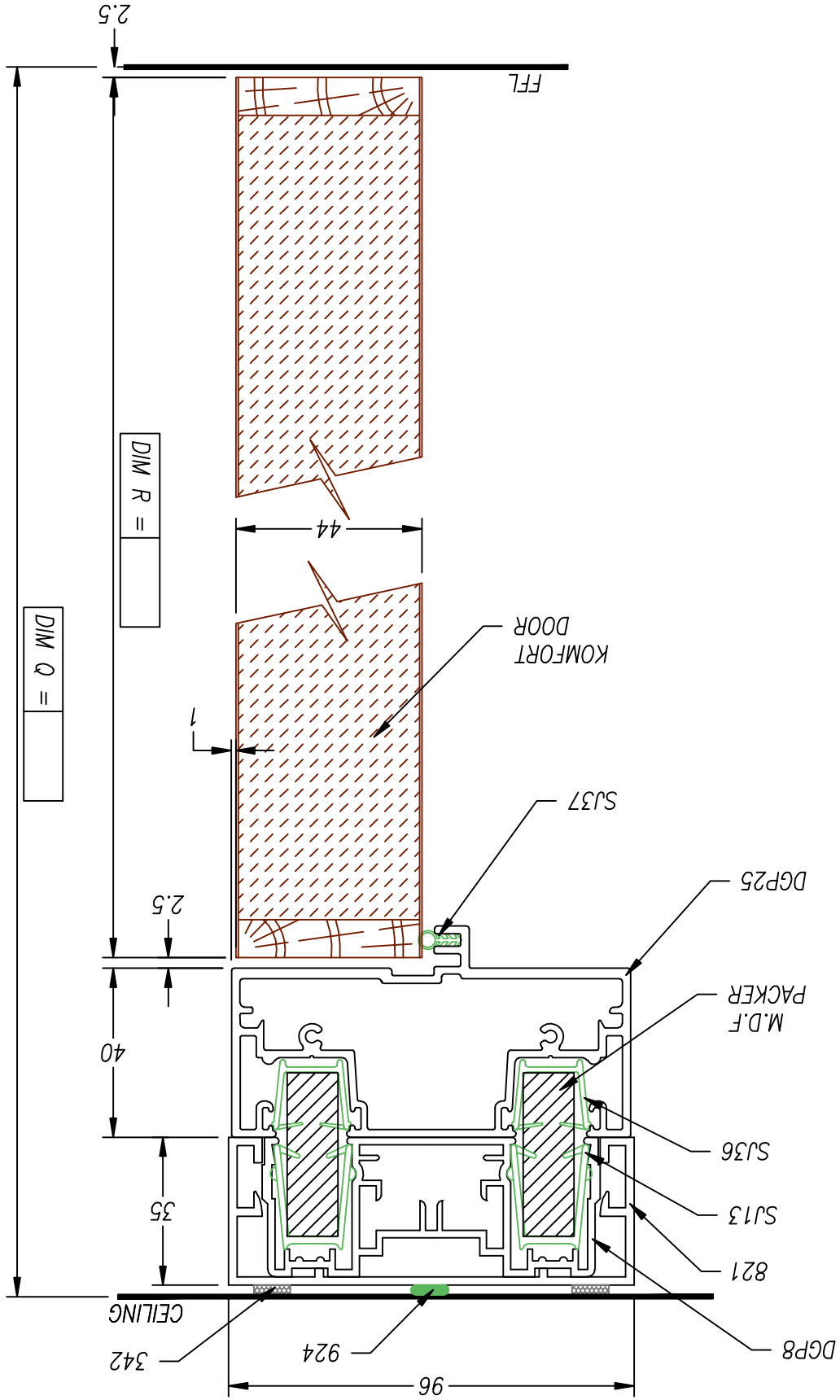


ISSUE	DESCRIPTION OF CHANGE	DATE	04:06:07	TITLE	DOUBLE GLAZED POLAR DRY JOINTED 30 min FIRE PERFORMANCE VERTICAL DETAIL
MATERIAL :		DRAWN	SSG	DRAWING No	14081
FINISH :		CHKD	NTS	SCALE	3

DIM Ø = CEILING HEIGHT  
 DIM R = DIM Ø - 80

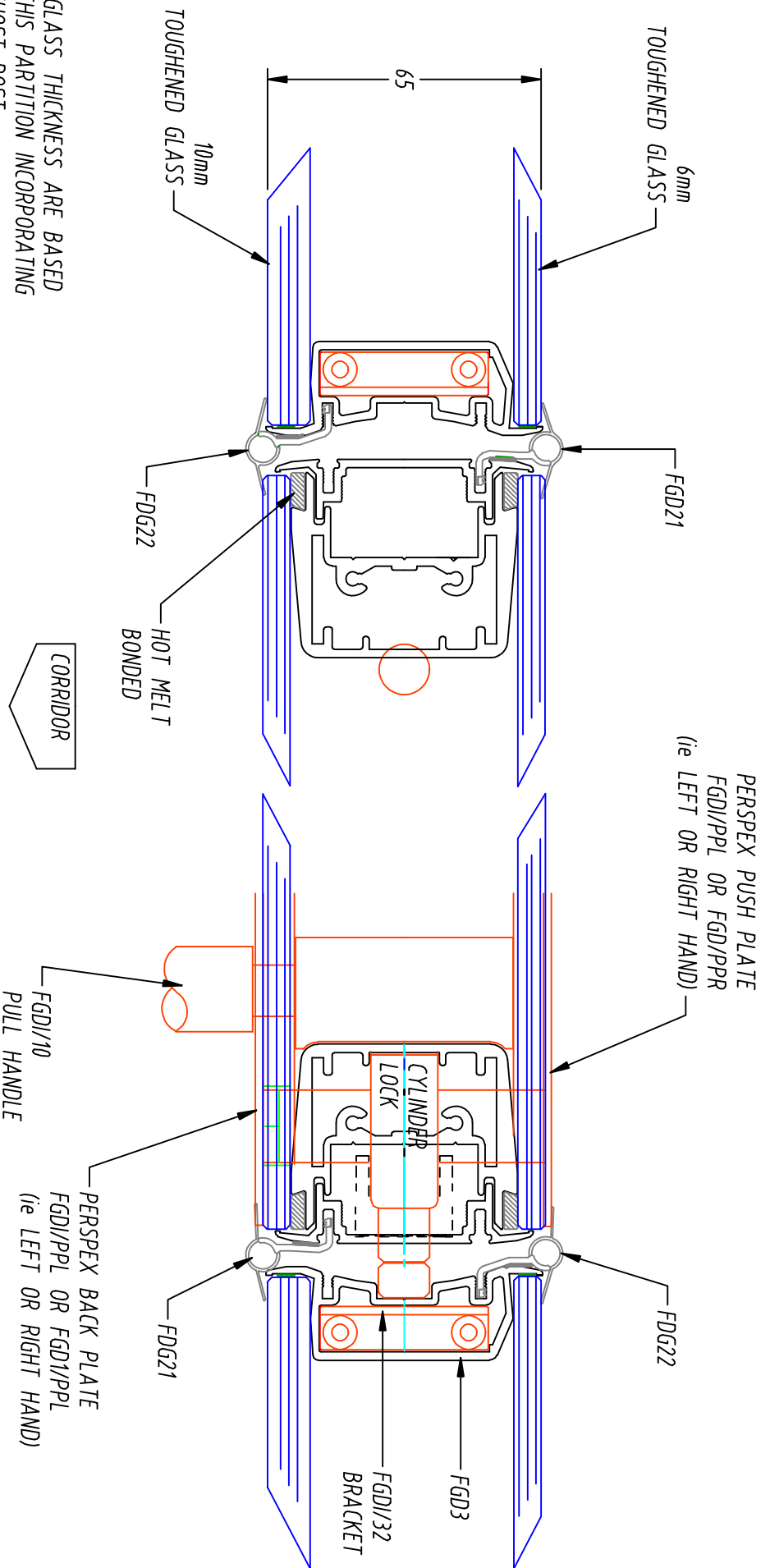
NON FIRE PERFORMANCE

ALL DIMENSIONS ARE NOMINAL & IN mm



© COPYRIGHT & DESIGN 2007 PROPERTY OF  
 KOMFORT WORKSPACE Plc  
 WHITTLE WAY, CRAWLEY, WEST SUSSEX, RH10 9RT  
 TEL : 01293 592500 WEB www.komfort.com  
 DO NOT SCALE IF IN DOUBT ASK

ISSUE	DESCRIPTION OF CHANGE	DATE	TITLE	ISSUE
		11:05:07	POAR DOUBLE GLAZED FULL HEIGHT TIMBER DOOR WITH	1
MATERIAL :		DRAWN	DGP25 DOOR FRAME	
FINISH :		CHKD	DRAWING No	
		SCALE	14080	
		NTS		



THESE GLASS THICKNESS ARE BASED UPON THIS PARTITION INCORPORATING DGP2 GHOST POST

ALL GLASS MUST CONFORM TO BS 6262 & DOCUMENT 'N' BUILDING REGULATIONS

ALL DIMENSIONS ARE NOMINAL & IN mm

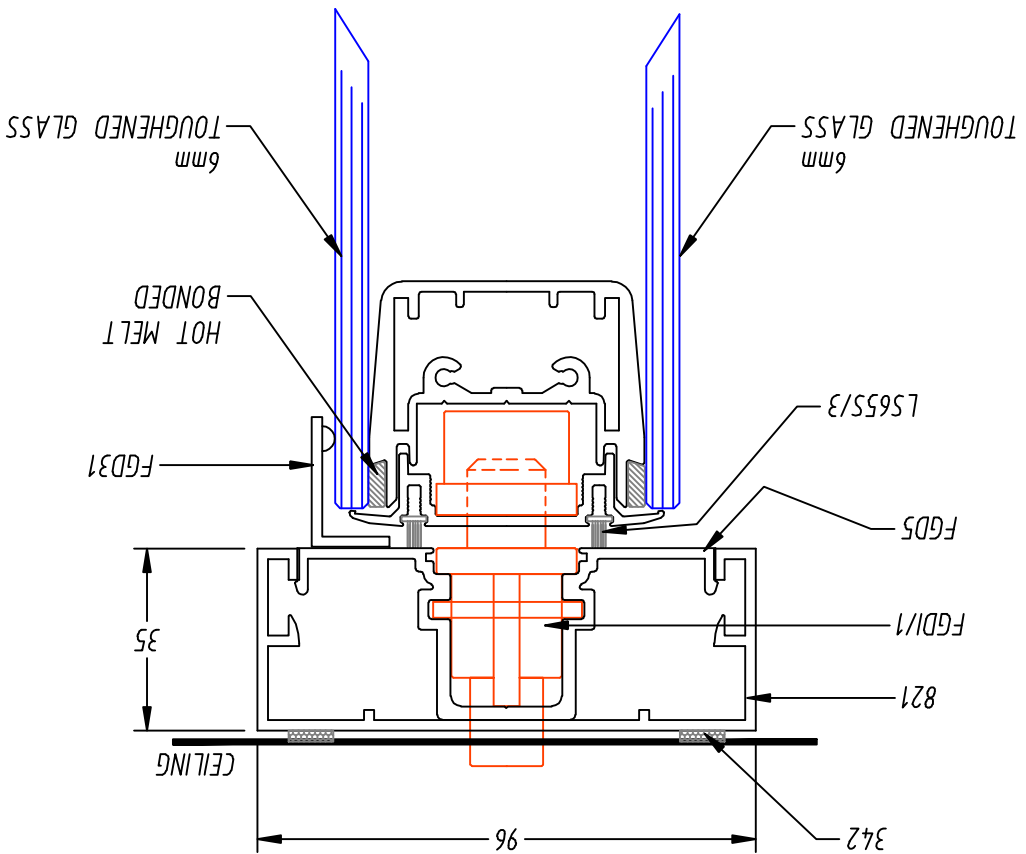
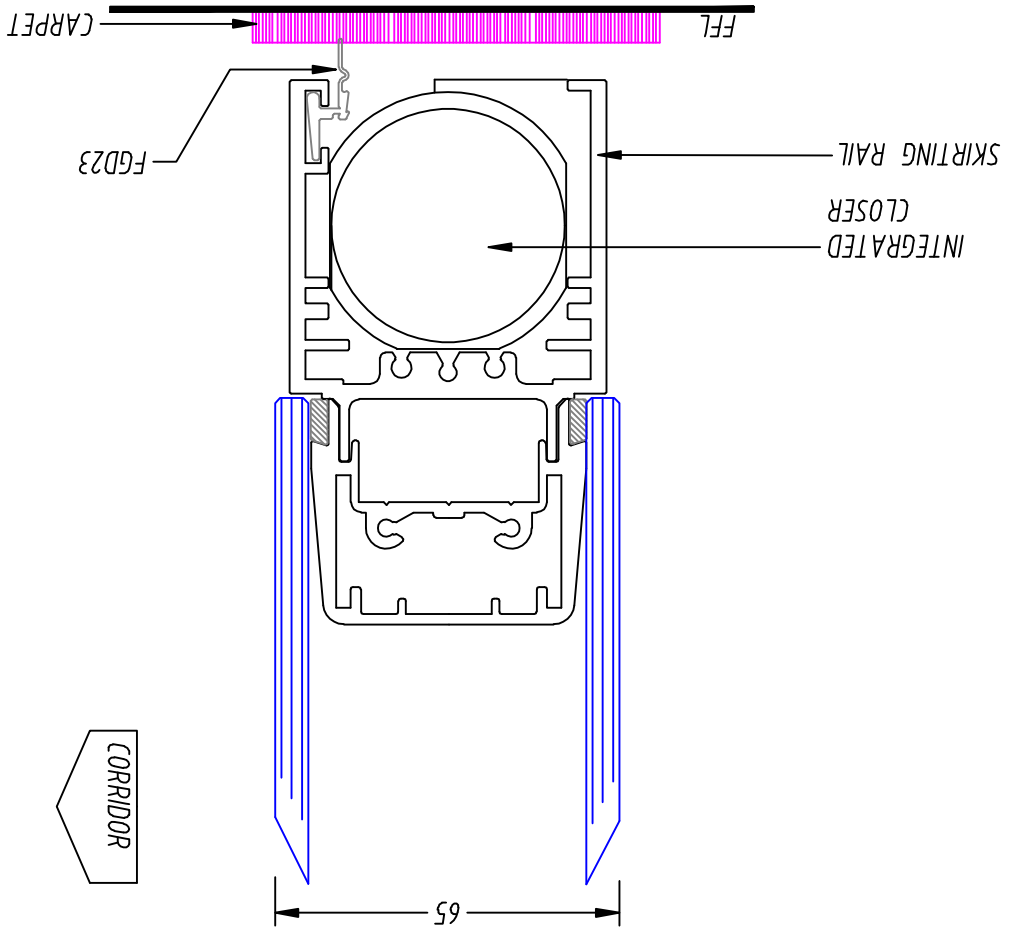


© COPYRIGHT & DESIGN 2007 PROPERTY OF  
 KOMFORT WORKSPACE Plc  
 WHITTLE WAY, CRAWLEY, WEST SUSSEX, RH10 9RT  
 TEL : 01293 592500 WEB www.komfort.com  
 DO NOT SCALE IF IN DOUBT ASK

ISSUE	DESCRIPTION OF CHANGE	DATE	10:05:07	TITLE	DOUBLE GLAZED POLAR LS65 GLAZED DOOR HORIZONTAL DETAIL	ISSUE	1
MATERIAL :		DRAWN	S5G				
FINISH :		CHKD		DRAWING No	14079		
		SCALE	NTS				

ALL GLASS MUST CONFORM TO  
BS 6262 & DOCUMENT  
'N' BUILDING REGULATIONS

ALL DIMENSIONS ARE NOMINAL & IN mm



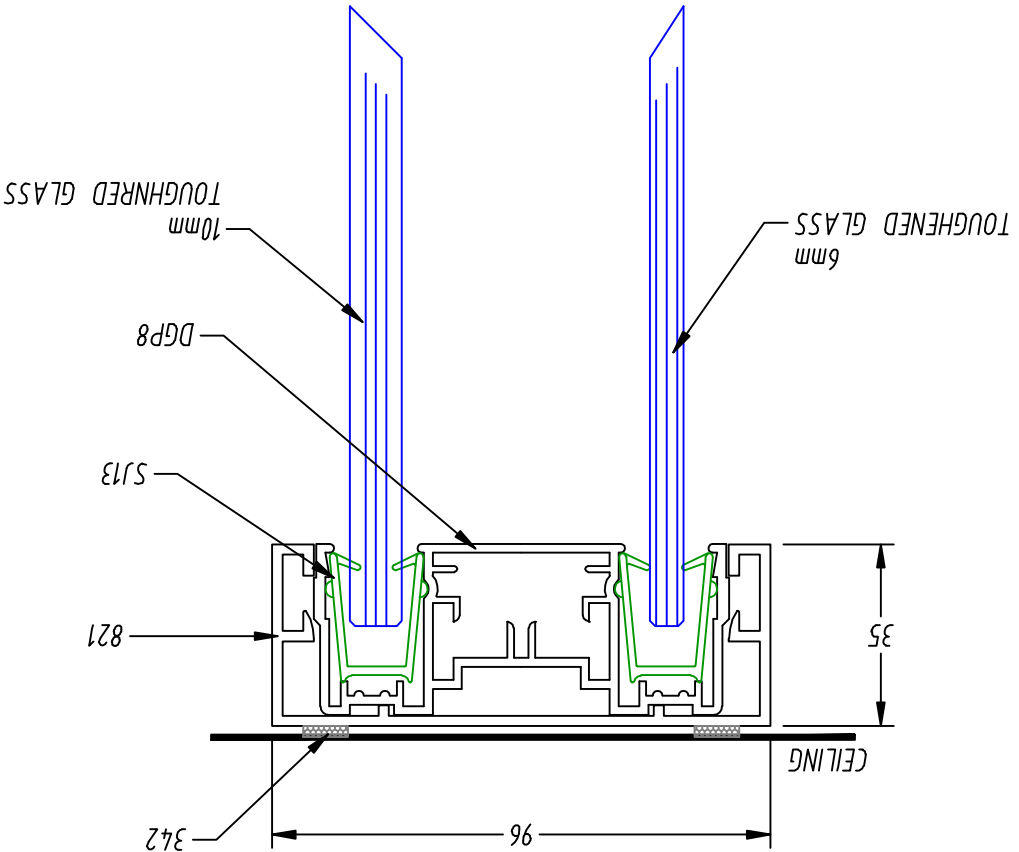
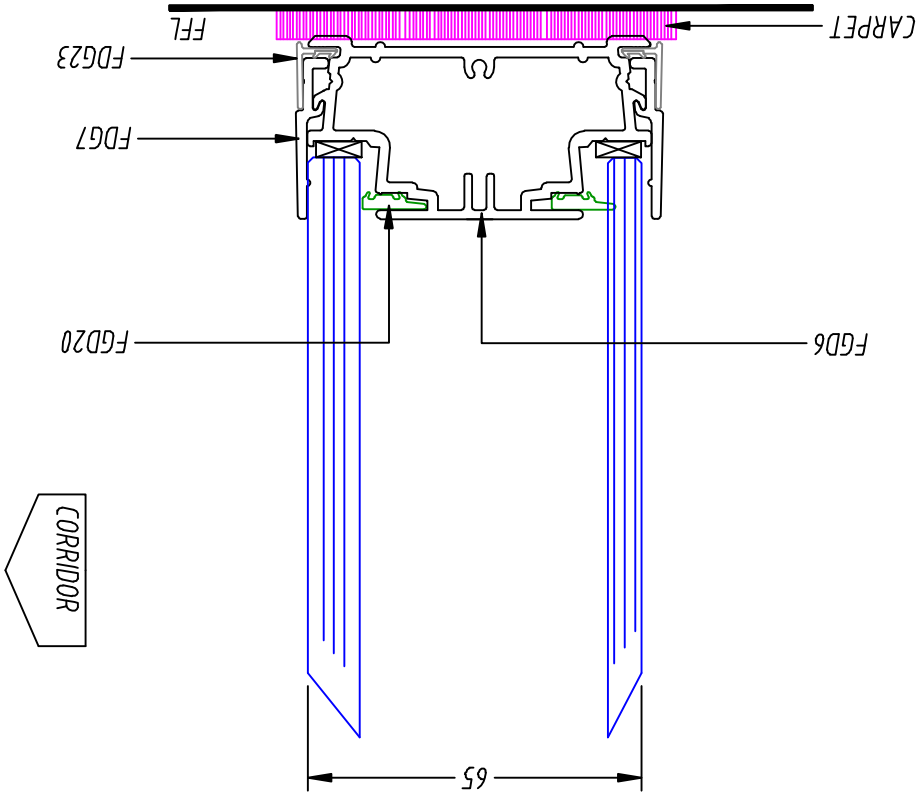
© COPYRIGHT & DESIGN 2007 PROPERTY OF  
KOMFORT WORKSPACE Plc  
WHITTLE WAY, CRAWLEY, WEST SUSSEX, RH10 9RT  
TEL : 01293 592500 WEB www.komfort.com  
DO NOT SCALE IF IN DOUBT ASK

ISSUE	DESCRIPTION OF CHANGE	DATE	DRAWN	SCG	TITLE	DRAWING No	ISSUE
FINISH :		10:05:07	CHKD	NTS	DOUBLE GLAZED POLAR LS65 DOUBLE GLAZED DOOR VERTICAL DETAIL WITH DG POLAR HEAD	14078	1

ALL GLASS THICKNESS ARE BASED UPON THIS PARTITION INCORPORATING DGP2 GHOST POST

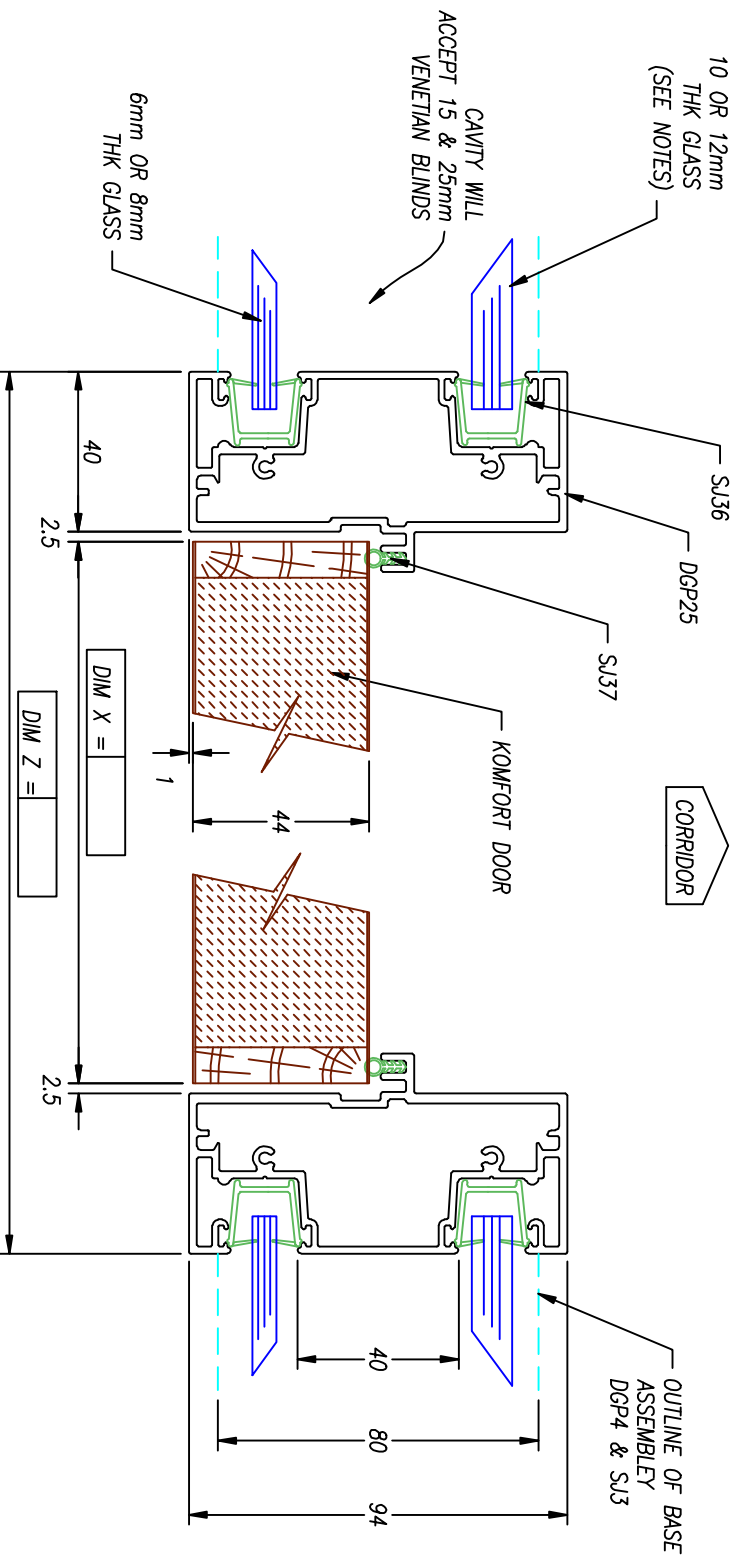
BS 6262 & DOCUMENT 'N' BUILDING REGULATIONS

ALL GLASS MUST CONFORM TO ALL DIMENSIONS ARE NOMINAL & IN mm



© COPYRIGHT & DESIGN 2007 PROPERTY OF  
 KOMFORT WORKSPACE Plc  
 WHITTLE WAY, CRAWLEY, WEST SUSSEX, RH10 9RT  
 TEL : 01293 592500 WEB www.komfort.com  
 DO NOT SCALE IF IN DOUBT ASK

ISSUE	DESCRIPTION OF CHANGE	DATE	DRAWN	CHKD	SCALE	TITLE	DRAWING No	ISSUE
		10:05:07	SSG		NTS	DOUBLE GLAZED POLAR LS65 VERTICAL DETAIL DG POLAR HEAD	14077	1
MATERIAL :								
FINISH :								



MANIFESTATION TO GLASS FROM THE FINISHED FLOOR LEVEL MUST BE INSTALLED IN ACCORDANCE WITH DOCUMENT 'M' BUILDING REGULATIONS

ALL GLASS MUST CONFORM TO BS 6262 & DOCUMENT 'N' BUILDING REGULATIONS

GLASS THICKNESS DEPENDANT UPON PARTITION HEIGHT & LAYOUT REQUIRED

ALL DIMENSIONS ARE NOMINAL & IN mm

TYPE	DOOR WIDTH	DISTANCE BETWEEN DGP4 & SJ3 BASE CHANNEL	
		Z = X + 85	Z
SINGLE	X		
	762		847
	826		911
HOSPITAL	838		923
	1145* ( 1½ x 762 )		1230
	1259* ( 1½ x 838 )		1344
DOUBLE	1526* ( 2 x 762 )		1611
	1678* ( 2 x 838 )		1763

\* INCLUDES 2mm GAP BETWEEN DOORS

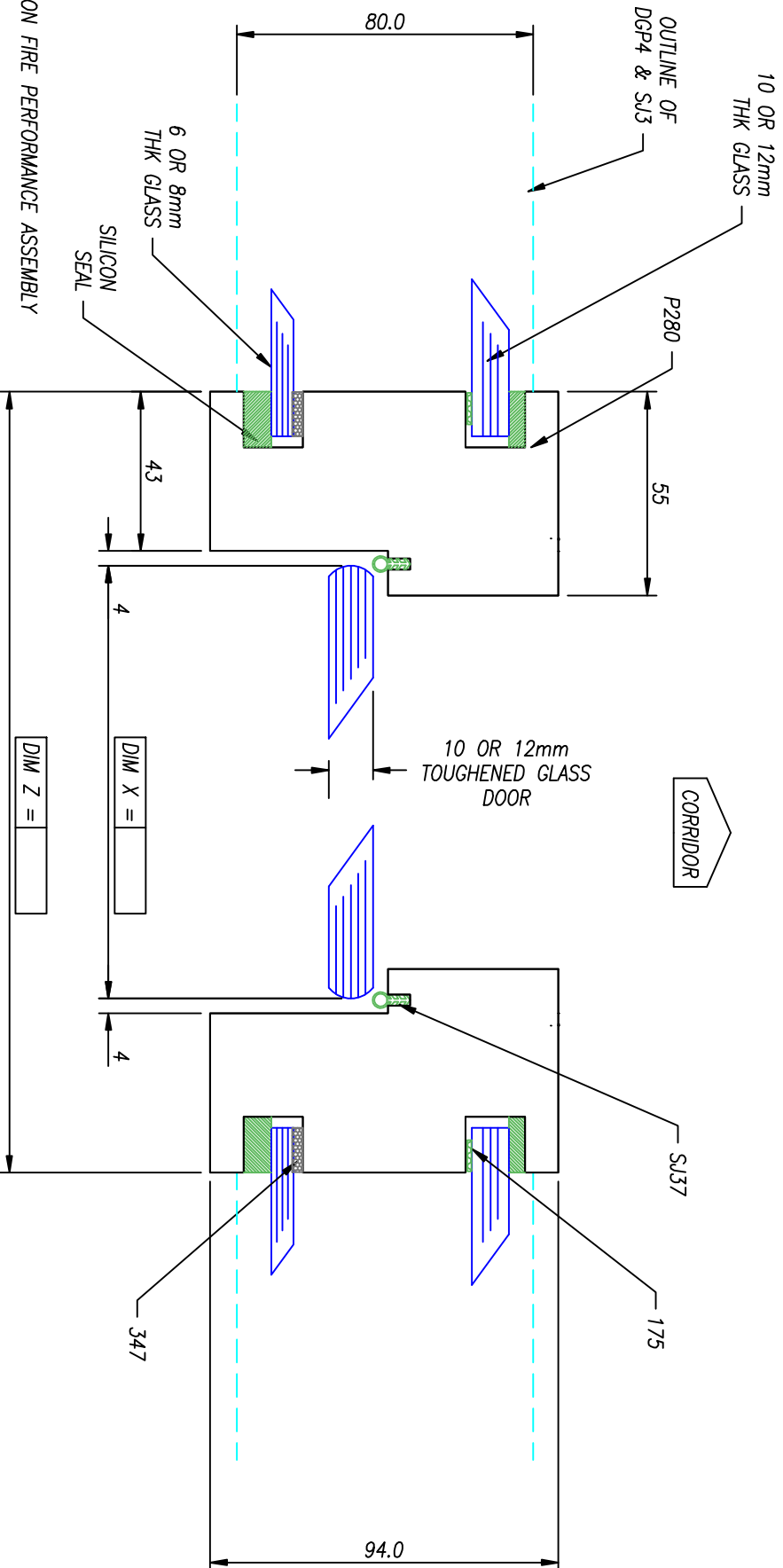


© COPYRIGHT & DESIGN 2007 PROPERTY OF  
 KOMFORT WORKSPACE Plc  
 WHITTLE WAY, CRAWLEY, WEST SUSSEX, RH10 9RT  
 TEL : 01293 592500 WEB www.komfort.com  
 DO NOT SCALE IF IN DOUBT ASK

ISSUE	DESCRIPTION OF CHANGE	DATE	TITLE	ISSUE
		29/03/07	DOUBLE GLAZED POLAR TIMBER DOOR MODULE USING DGP25 DOOR FRAME	1

MATERIAL :	CHKD	DRAWING No	ISSUE
		14076	1

FINISH :	SCALE	NTS



THIS IS A NON FIRE PERFORMANCE ASSEMBLY

MANIFESTATION 1500mm FROM THE FINISHED FLOOR LEVEL MUST BE INSTALLED IN ACCORDANCE WITH DOCUMENT 'N' BUILDING REGULATIONS WHEN BLINDS ARE NOT INCLUDED

ALL GLASS MUST CONFORM TO BS 6262 & DOCUMENT 'N' BUILDING REGULATIONS

ALL DIMENSIONS ARE NOMINAL & IN mm

DOOR WIDTH DIM X	DISTANCE BETWEEN SJS4 & SJS3 BASE CHANNEL DIM Z
835 (SINGLE)	929
1685* (DOUBLE)	1769* (DOUBLE)

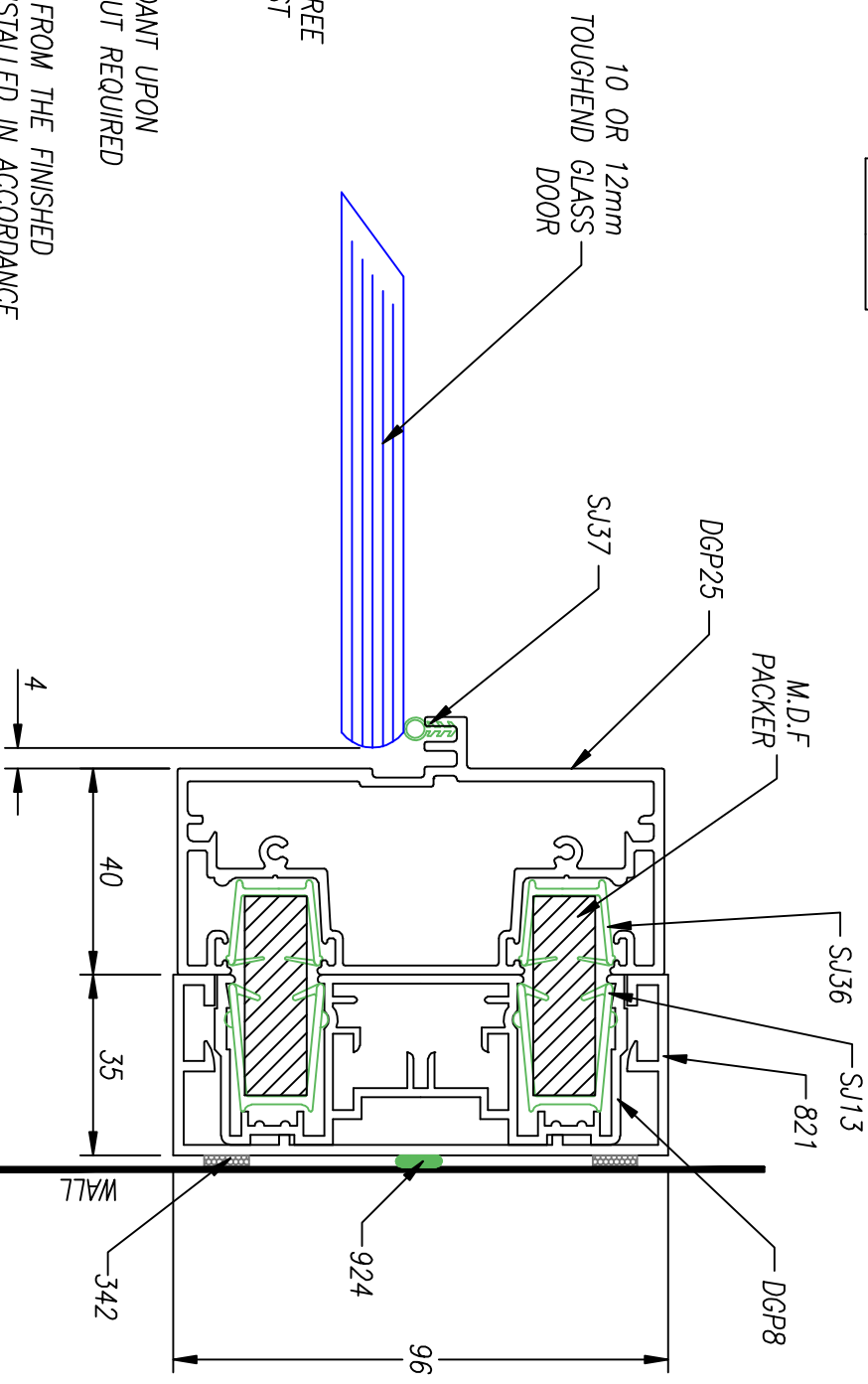
\* INCLUDES 5mm GAP BETWEEN DOORS



© COPYRIGHT & DESIGN 2007 PROPERTY OF  
 KOMFORT WORKSPACE Plc  
 WHITTLE WAY, CRAWLEY, WEST SUSSEX, RH10 9RT  
 TEL : 01293 592500 WEB www.komfort.com  
 DO NOT SCALE IF IN DOUBT ASK

ISSUE	DESCRIPTION OF CHANGE	DATE	TITLE	ISSUE
		17/01/07	DOUBLE GLAZED POLAR GLASS DOOR MODULE IN TIMBER DOOR FRAME HORIZONTAL DETAIL	2
MATERIAL :		DRAWN	SSG	
FINISH :		CHKD		
		SCALE	NTS	
			DRAWING No	14075

CORRIDOR



MAY NOT ALLOW 90 DEGREE OPENING OF DOOR AGAINST DIVIDING WALL DUE TO IRONMONGERY.

GLASS THICKNESS DEPENDANT UPON PARTITION HEIGHT & LAYOUT REQUIRED

MANIFESTATION TO GLASS FROM THE FINISHED FLOOR LEVEL MUST BE INSTALLED IN ACCORDANCE WITH DOCUMENT 'M' BUILDING REGULATIONS

ALL GLASS MUST CONFORM TO BS 6262 & DOCUMENT 'N' BUILDING REGULATIONS

ALL DIMENSIONS ARE NOMINAL & IN mm

NOTE: DUE TO VARIATION IN WALL IT MAY BE NECESSARY PACK OUT USING SHIMS TO MAKE SURE DOOR FRAME IS VERTICALLY TRUE FOR CORRECT OPERATION OF DOOR.

© COPYRIGHT & DESIGN 2006 PROPERTY OF  
 KOMFORT WORKSPACE Plc  
 WHITTLE WAY, CRAWLEY, WEST SUSSEX, RH10 9RT  
 TEL : 01293 592500 WEB www.komfort.com  
 DO NOT SCALE IF IN DOUBT ASK

ISSUE	DESCRIPTION OF CHANGE	DATE	TITLE	
		16:10:06	DOUBLE GLAZED POLAR SQUARE DOOR FRAME WITH GLASS	
MATERIAL :		DRAWN	SSG	DOOR ABUTMENT DETAIL
FINISH :		CHKD	NTS	DRAWING No
		SCALE		14074
				ISSUE
				2

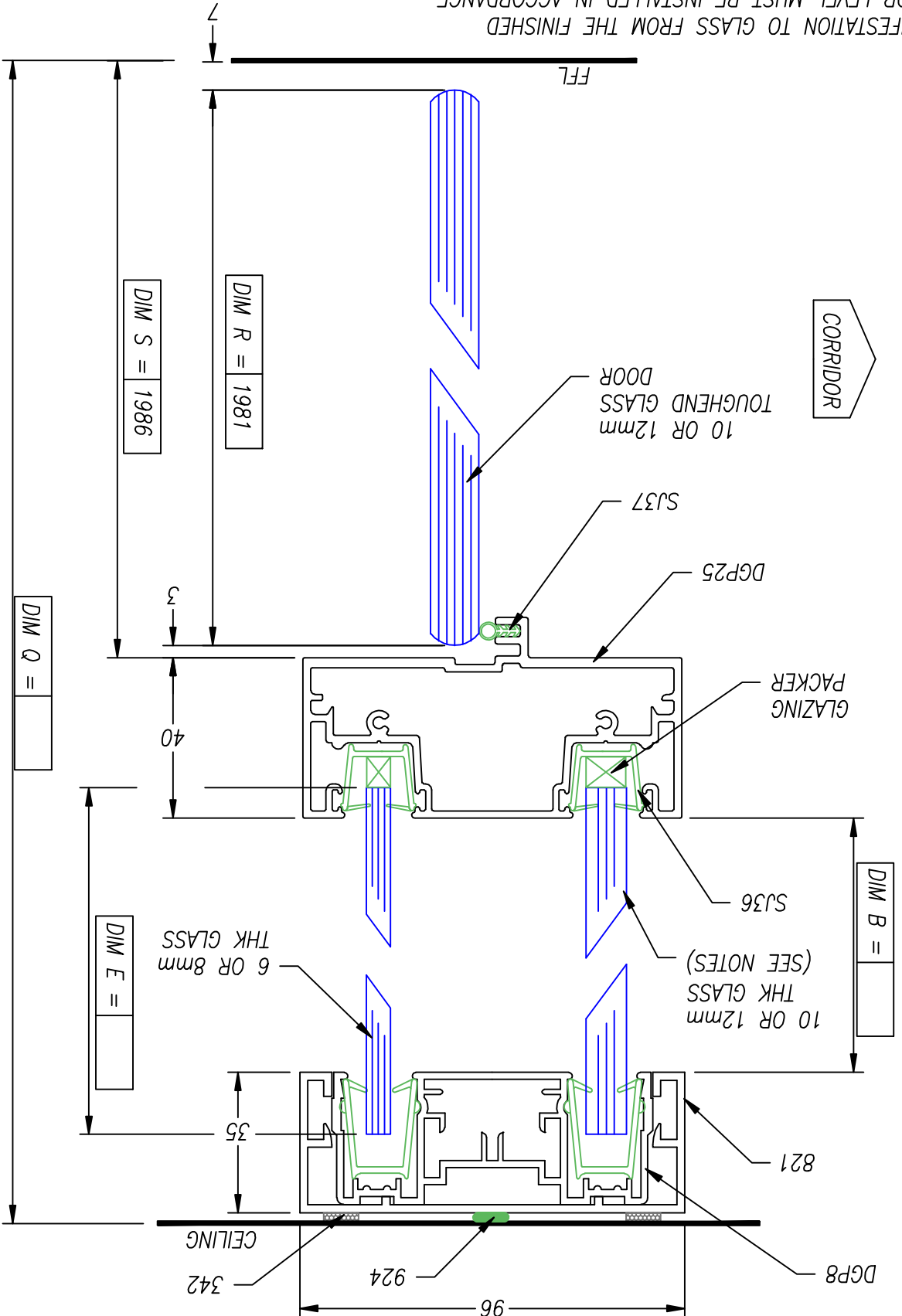


ALL GLASS MUST CONFORM TO  
 BS 6262 & DOCUMENT  
 'N', BUILDING REGULATIONS  
 GLASS THICKNESS DEPENDANT UPON  
 PARTITION HEIGHT & LAYOUT REQUIRED

MANIFESTATION TO GLASS FROM THE FINISHED  
 FLOOR LEVEL MUST BE INSTALLED IN ACCORDANCE  
 WITH DOCUMENT 'M', BUILDING REGULATIONS

DIM Q = CEILING HEIGHT  
 DIM R = DOOR HEIGHT  
 DIM B = DIM Q - (DIM R + 85)  
 DIM E = DIM B + 20  
 DIM S = DIM R + 10

ALL DIMENSIONS ARE NOMINAL & IN mm



© COPYRIGHT & DESIGN 2006 PROPERTY OF  
 KOMFORT WORKSPACE Plc  
 WHITTLE WAY, CRAWLEY, WEST SUSSEX, RH10 9RT  
 TEL : 01293 592500 WEB www.komfort.com  
 DO NOT SCALE IF IN DOUBT ASK

ISSUE	DESCRIPTION OF CHANGE	DATE	DRAWN	CHKD	SCALE	TITLE	ISSUE
		16:10:06	SSG		NTS	DOUBLE GLAZED POLAR SQUARE DOOR FRAME WITH GLASS DOOR GLAZED ABOVE	1
DRAWING No 14073							

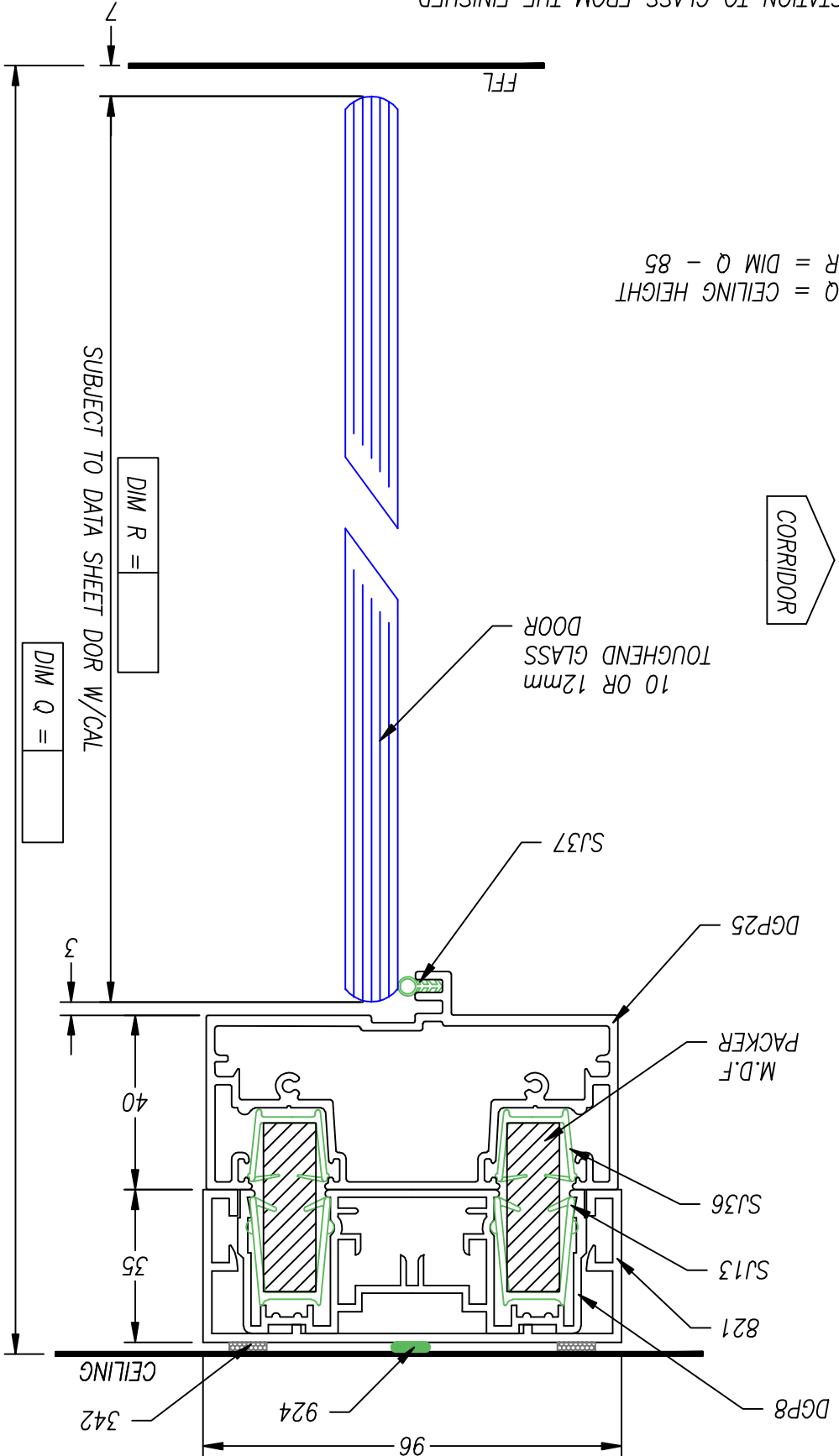
N, BUILDING REGULATIONS  
BS 6262 & DOCUMENT

ALL GLASS MUST CONFORM TO

WITH DOCUMENT 'M' BUILDING REGULATIONS  
FLOOR LEVEL MUST BE INSTALLED IN ACCORDANCE  
MANIFESTATION TO GLASS FROM THE FINISHED

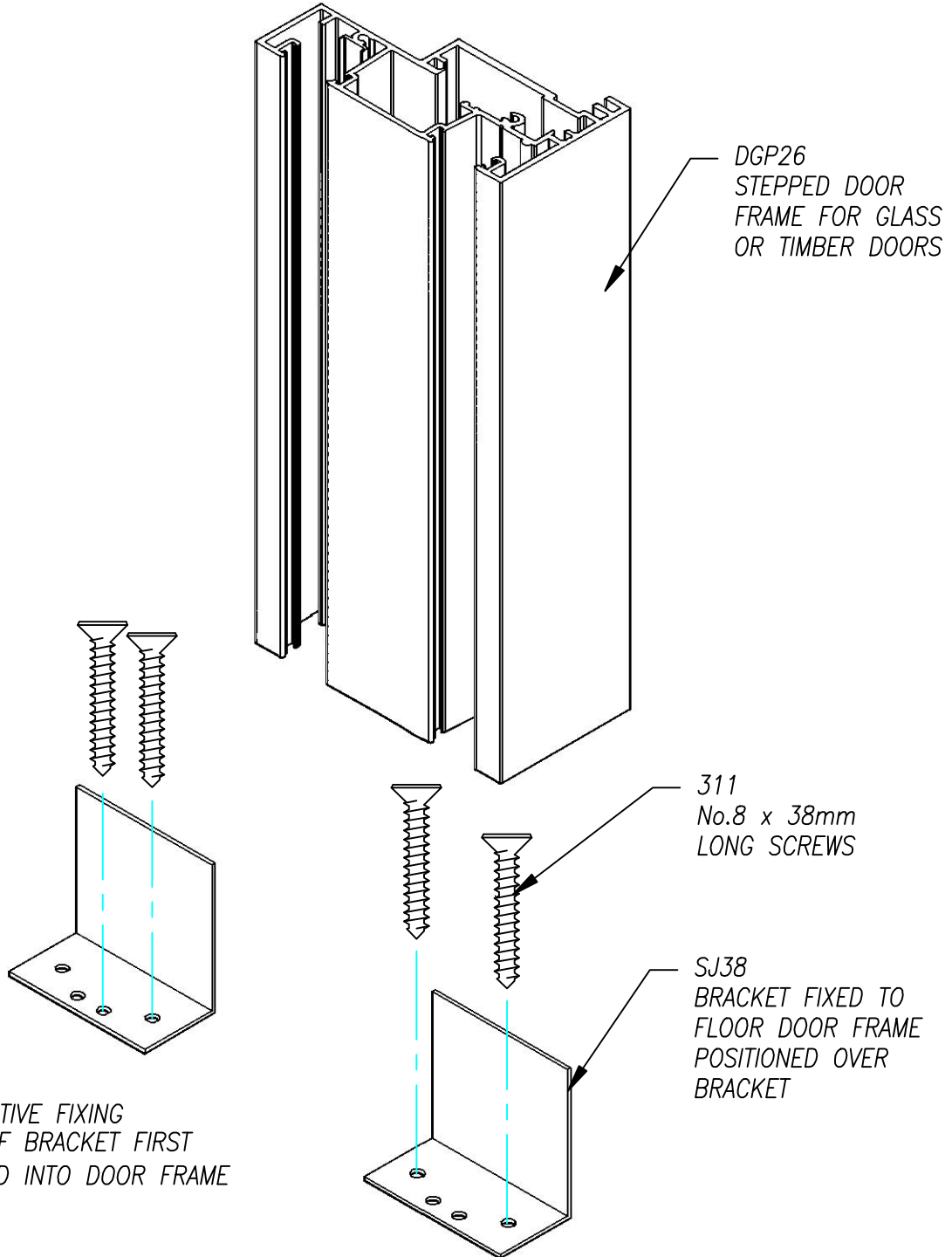
GLASS THICKNESS DEPENDANT UPON  
PARTITION HEIGHT & LAYOUT REQUIRED

ALL DIMENSIONS ARE NOMINAL & IN mm



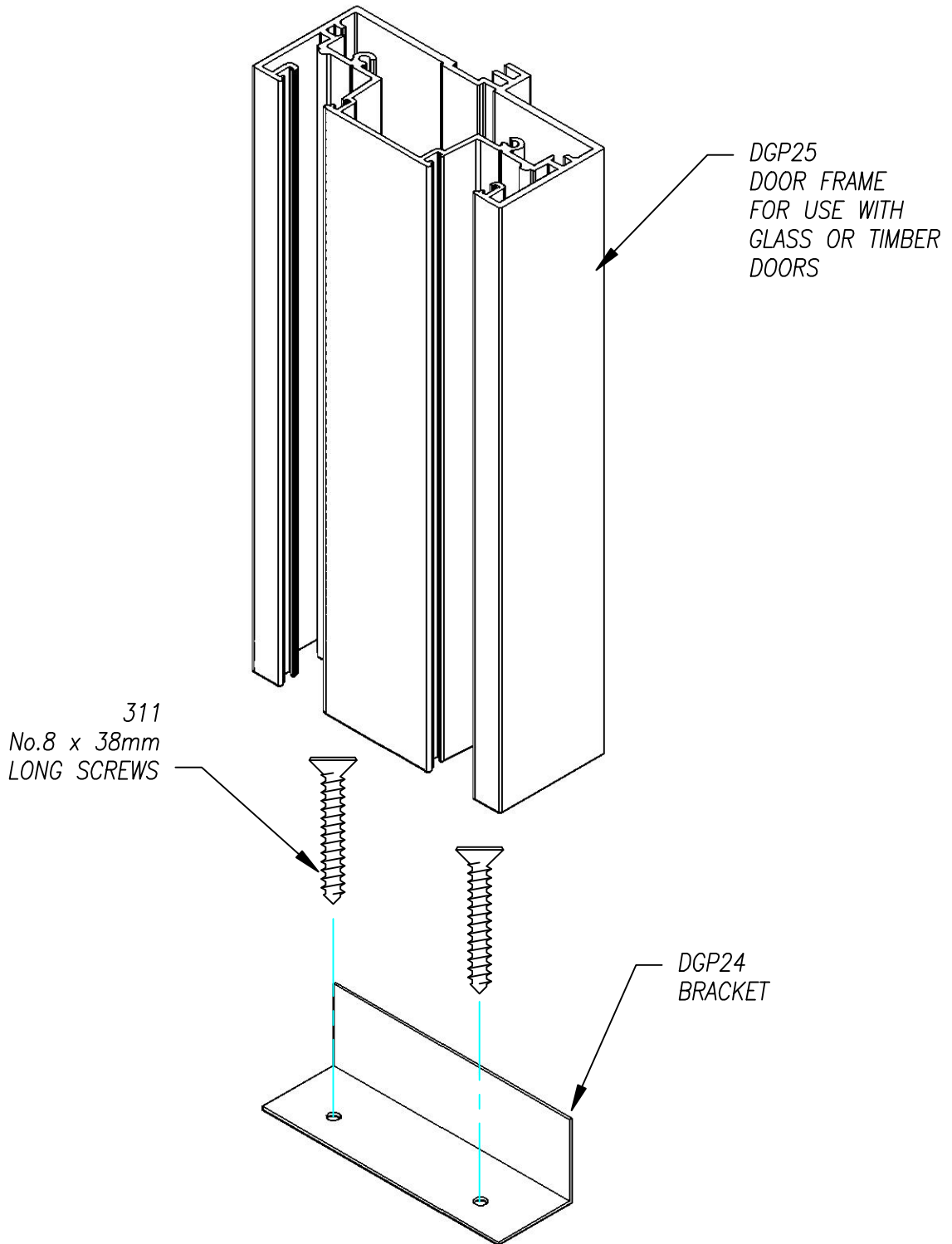
© COPYRIGHT & DESIGN 2006 PROPERTY OF  
KOMFORT WORKSPACE Plc  
WHITTLE WAY, CRAWLEY, WEST SUSSEX, RH10 9RT  
TEL : 01293 592500 WEB www.komfort.com  
DO NOT SCALE IF IN DOUBT ASK

ISSUE	DESCRIPTION OF CHANGE	DATE	DRAWN	CHKD	SCALE	NTS	ISSUE
1	DOUBLE GLAZED POLAR SQUARE DOOR FRAME WITH GLASS DOOR FULL HEIGHT	16:10:06	SSG				1
DRAWING No 14072							

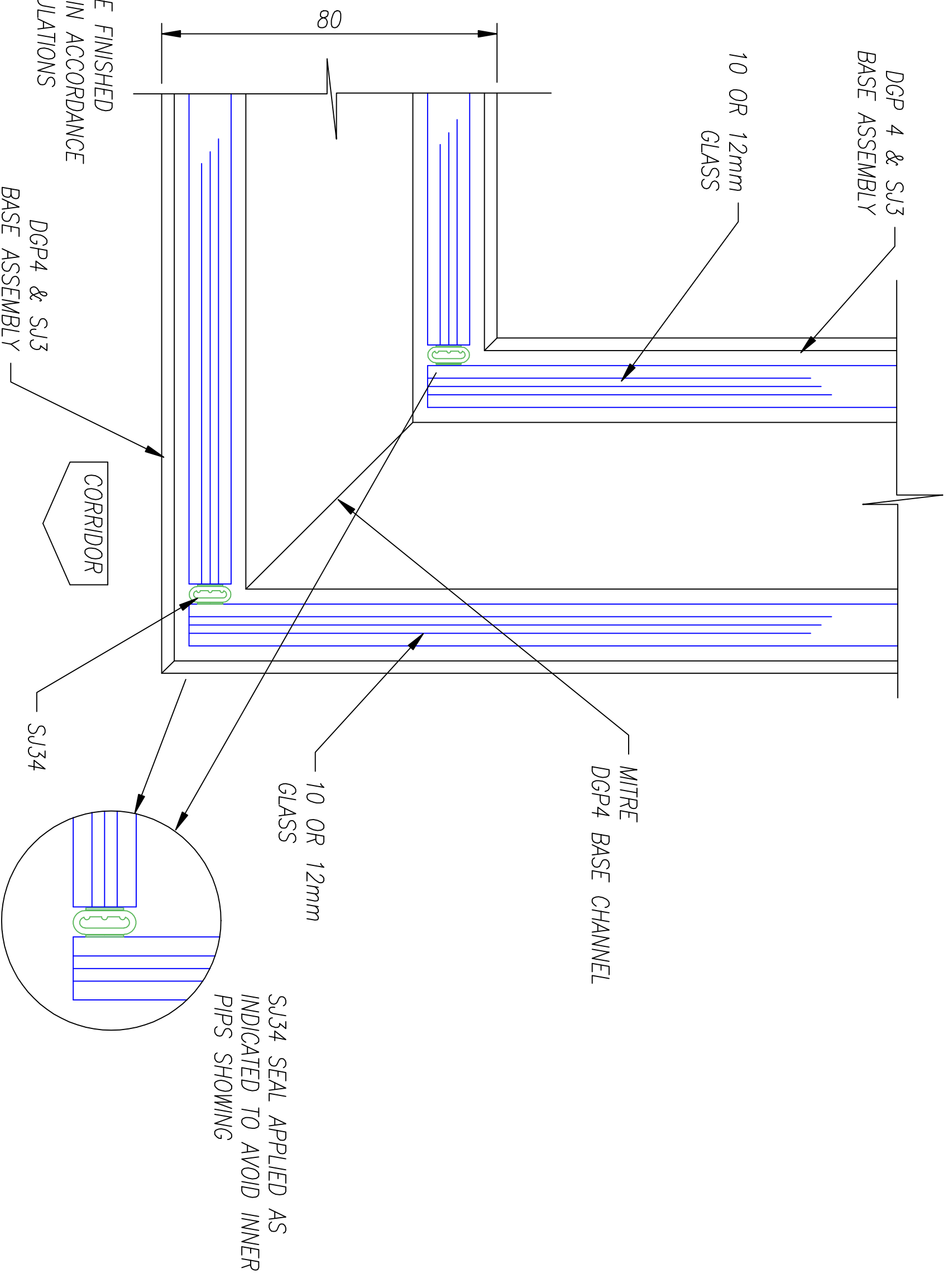


ALTERNATIVE FIXING  
DETAIL IF BRACKET FIRST  
INSERTED INTO DOOR FRAME

		DATE	12:10:06	TITLE DOUBLE GLAZED POLAR DGP26 STEPPED DOOR FRAME FIXING DETAIL	
ISSUE	DESCRIPTION OF CHANGE	DRAWN	SSG		
MATERIAL :		CHKD	BJP	DRAWING No	ISSUE
FINISH :		SCALE	NTS	14071	1



		DATE	12:10:06	TITLE DOUBLE GLAZED POLAR DGP25 DOOR FRAME FIXING DETAIL	
ISSUE	DESCRIPTION OF CHANGE	DRAWN	SSG		
MATERIAL :		CHKD	BJP	DRAWING No	ISSUE
FINISH :		SCALE	NTS	14070	2



ALL GLASS MUST CONFORM TO BS 6262 & DOCUMENT 'N' BUILDING REGULATIONS

MANIFESTATION TO GLASS FROM THE FINISHED FLOOR LEVEL MUST BE INSTALLED IN ACCORDANCE WITH DOCUMENT 'M' BUILDING REGULATIONS

ALL DIMENSIONS ARE NOMINAL & IN mm

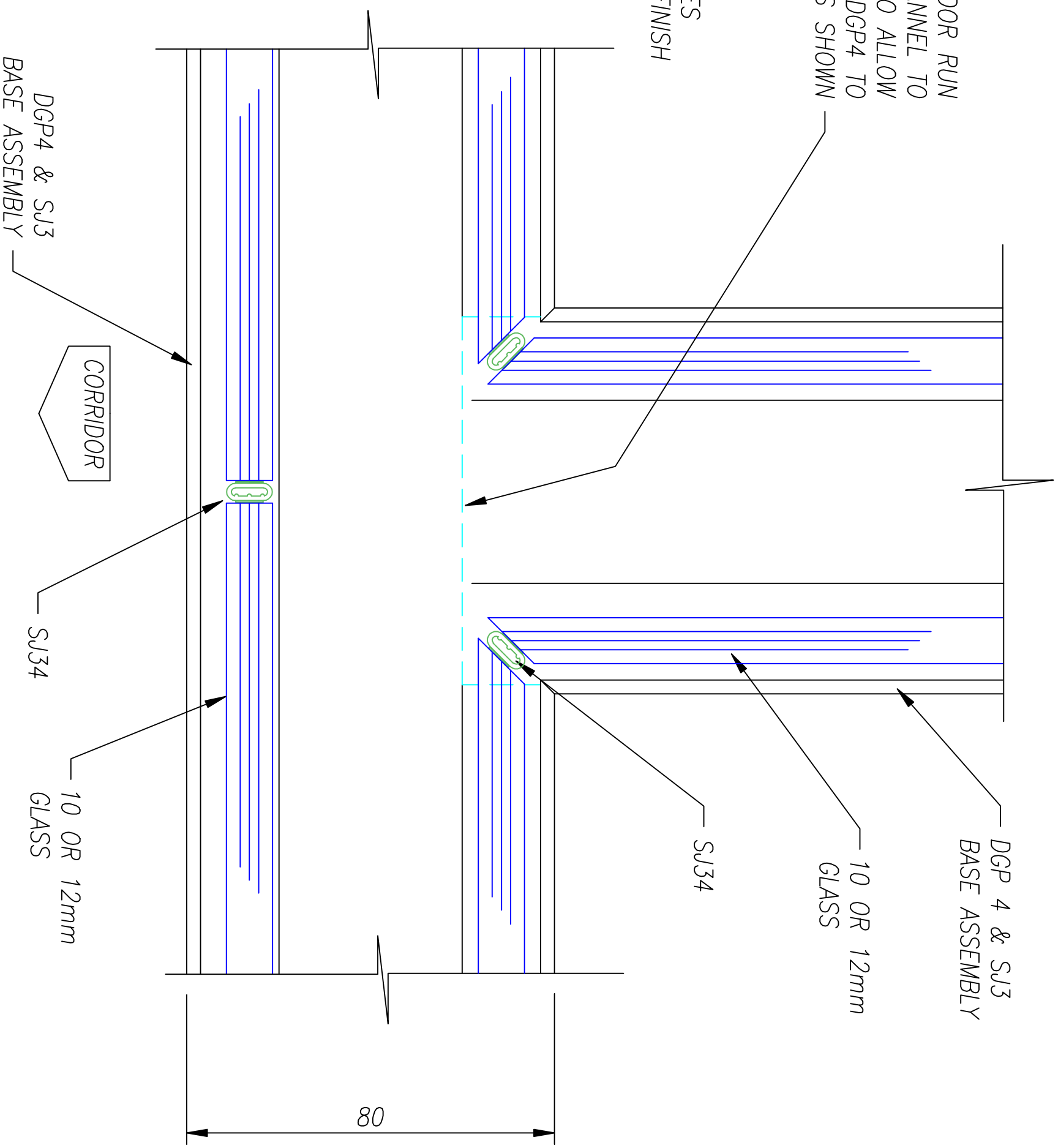
© COPYRIGHT & DESIGN 2006 PROPERTY OF KOMFORT WORKSPACE Plc  
 WHITTLE WAY, CRAWLEY, WEST SUSSEX, RH10 9RT  
 TEL : 01293 592500 WEB www.komfort.com  
 DO NOT SCALE IF IN DOUBT ASK

ISSUE	DESCRIPTION OF CHANGE	DATE	04:10:06	TITLE	DOUBLE GLAZED POLAR 90 DEG JUNCTION MULTI DRY JOINT	ISSUE	3
MATERIAL :		DRAWN	SSG	DRAWING No	14069		
FINISH :		CHKD		SCALE	NTS		



NOTE: CORRIDOR RUN  
DGP4 CHANNEL TO  
BE NOTCHED TO ALLOW  
CROSS RUN DGP4 TO  
INSERT AS SHOWN

MITRED GLASS EDGES  
TO HAVE GROUND FINISH



ALL GLASS MUST CONFORM TO  
BS 6262 & DOCUMENT  
'N' BUILDING REGULATIONS

MANIFESTATION TO GLASS FROM THE FINISHED  
FLOOR LEVEL MUST BE INSTALLED IN ACCORDANCE  
WITH DOCUMENT 'N' BUILDING REGULATIONS

ALL DIMENSIONS ARE NOMINAL & IN mm

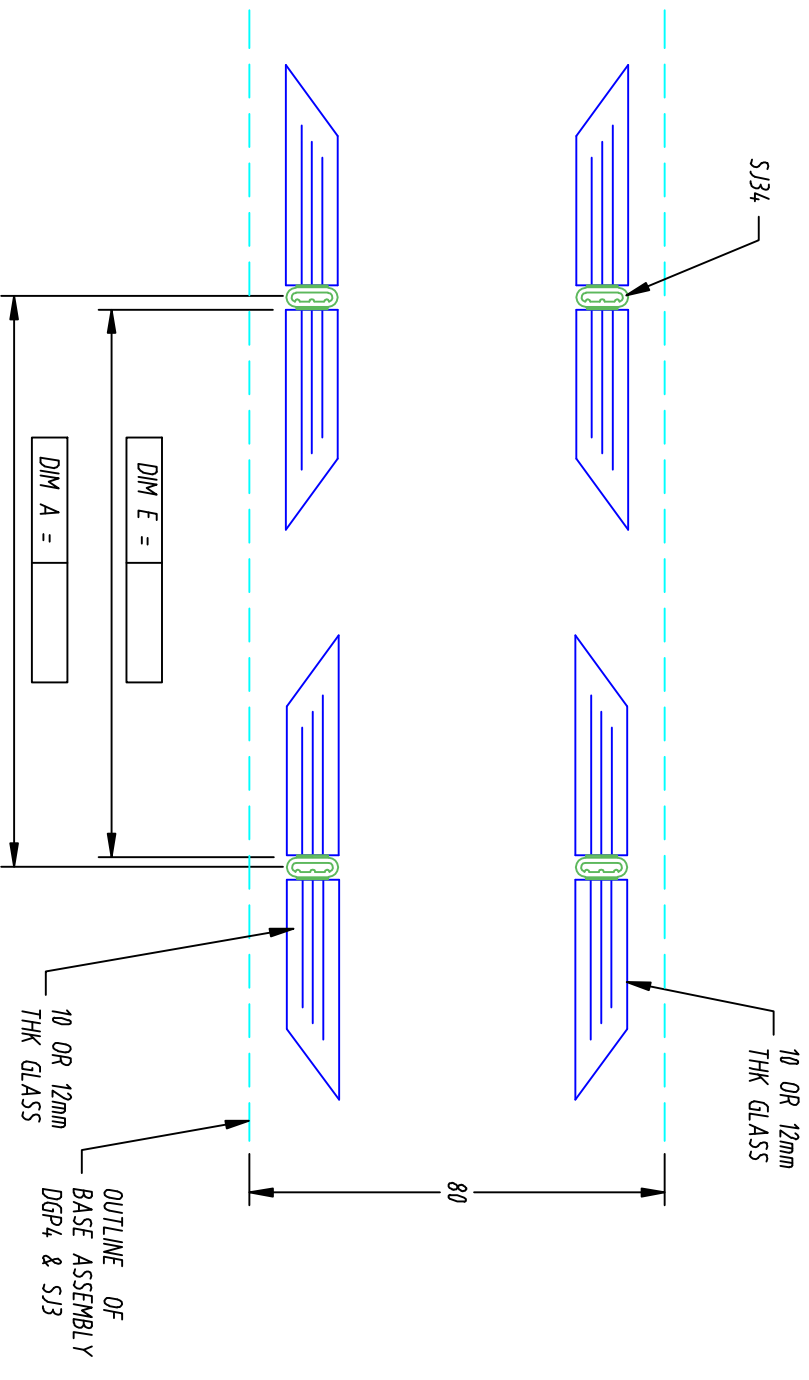
© COPYRIGHT & DESIGN 2006 PROPERTY OF



KOMFORT WORKSPACE Plc  
WHITTLE WAY, CRAWLEY, WEST SUSSEX, RH10 9RT  
TEL : 01293 592500 WEB www.komfort.com

DO NOT SCALE IF IN DOUBT ASK

ISSUE	DESCRIPTION OF CHANGE	DATE	04:10:06	TITLE	DOUBLE GLAZED POLAR 3 WAY JUNCTION MULTI DRY JOINT	ISSUE	2
MATERIAL :		DRAWN	SSG	DRAWING No	14068		
FINISH :		CHKD		SCALE	NTS		



THIS IS A NON FIRE PERFORMANCE ASSEMBLY

ALL GLASS MUST CONFORM TO  
BS 6262 & DOCUMENT  
'N' BUILDING REGULATIONS

DOUBLE GLAZED GLASS COMBINATIONS  
GIVEN ARE USED TO A MAXIMUM HEIGHT OF 3000mm.

MANIFESTATION 1500mm FROM THE FINISHED  
FLOOR LEVEL MUST BE INSTALLED IN ACCORDANCE  
WITH DOCUMENT 'N' BUILDING REGULATIONS  
WHEN BLINDS ARE NOT INCLUDED

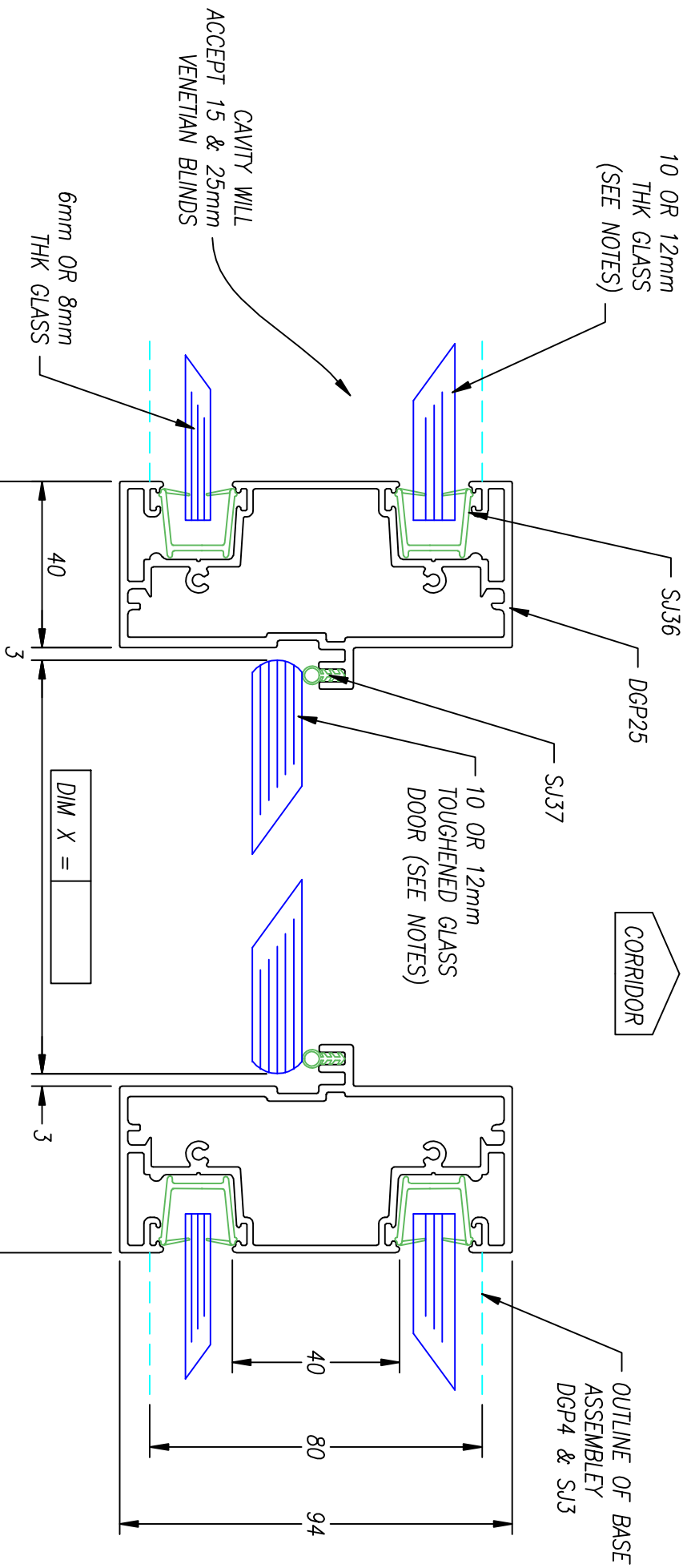
ALL DIMENSIONS ARE IN mm & NOMINAL

DIM A = MODULE CENTRES  
DIM A = E + 5 NOM

© COPYRIGHT & DESIGN 2006 PROPERTY OF  
KOMFORT WORKSPACE Plc  
WHITTLE WAY, CRAWLEY, WEST SUSSEX, RH10 9RT  
TEL : 01293 592500 WEB www.komfort.com  
DO NOT SCALE IF IN DOUBT ASK

ISSUE	DESCRIPTION OF CHANGE	DATE	03:10:06	TITLE	DOUBLE GLAZED POLAR MULTI DRY JOINT DETAIL	ISSUE	2
MATERIAL :		DRAWN	SSG	DRAWING No	14067		
FINISH :		CHKD		SCALE	NTS		





GLASS THICKNESS DEPENDANT UPON PARTITION HEIGHT & LAYOUT REQUIRED

MANIFESTATION TO GLASS FROM THE FINISHED FLOOR LEVEL MUST BE INSTALLED IN ACCORDANCE WITH DOCUMENT 'M' BUILDING REGULATIONS

ALL GLASS MUST CONFORM TO BS 6262 & DOCUMENT 'N' BUILDING REGULATIONS

ALL DIMENSIONS ARE NOMINAL & IN mm

DOOR WIDTH DIM X	DISTANCE BETWEEN DGP4 & SJ3 BASE CHANNEL DIM Z
835 (SINGLE)	921



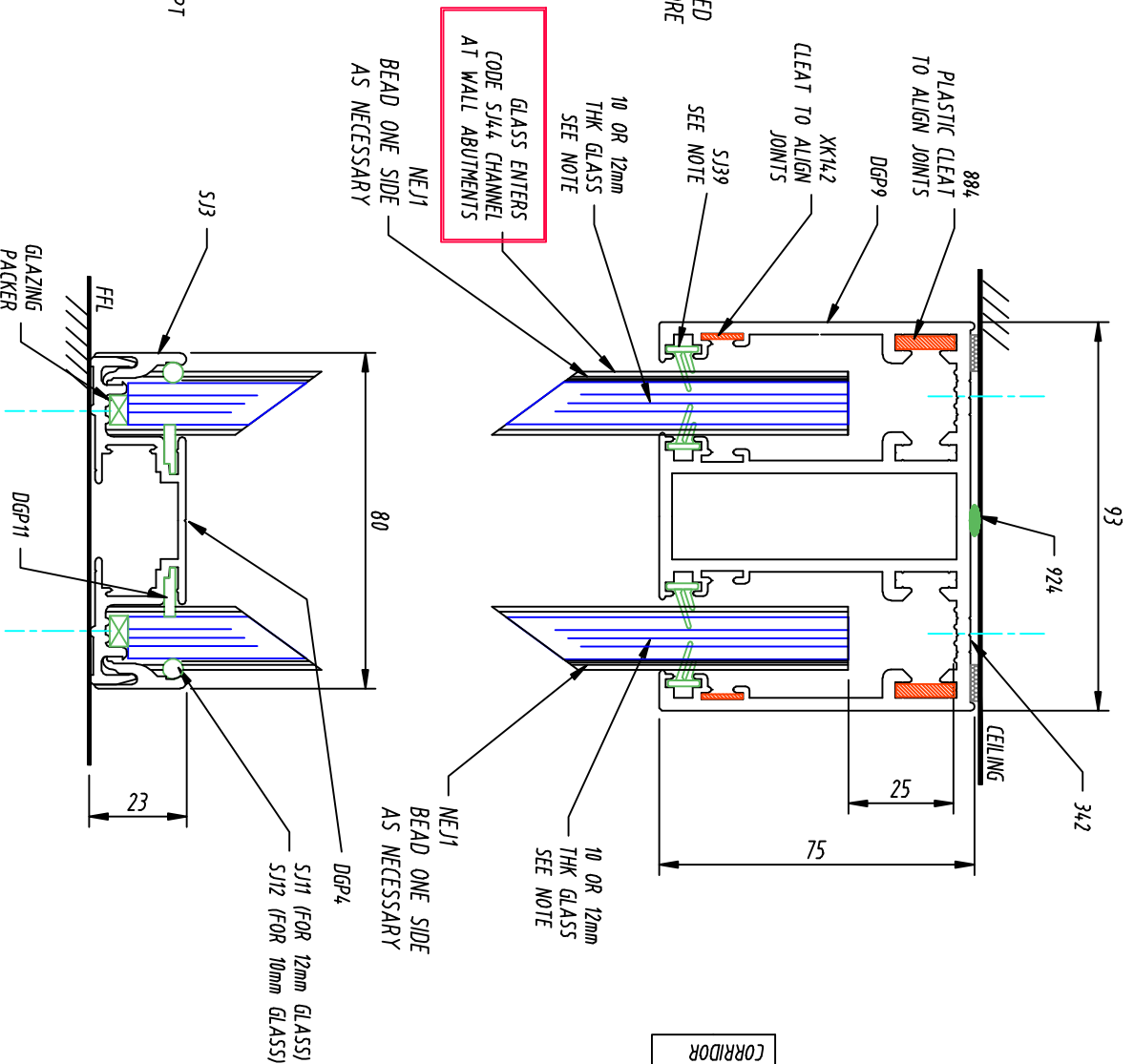
© COPYRIGHT & DESIGN 2006 PROPERTY OF  
 KOMFORT WORKSPACE Plc  
 WHITTLE WAY, CRAWLEY, WEST SUSSEX, RH10 9RT  
 TEL : 01293 592500 WEB www.komfort.com  
 DO NOT SCALE IF IN DOUBT ASK

ISSUE	DESCRIPTION OF CHANGE	DATE	11:10:06	TITLE	DOUBLE GLAZED POLAR GLASS DOOR MODULE USING DGP25 DOOR FRAME	ISSUE	1
MATERIAL :		DRAWN	SSG	DRAWING No	14066		
FINISH :		CHKD		SCALE			
		SCALE	NTS				

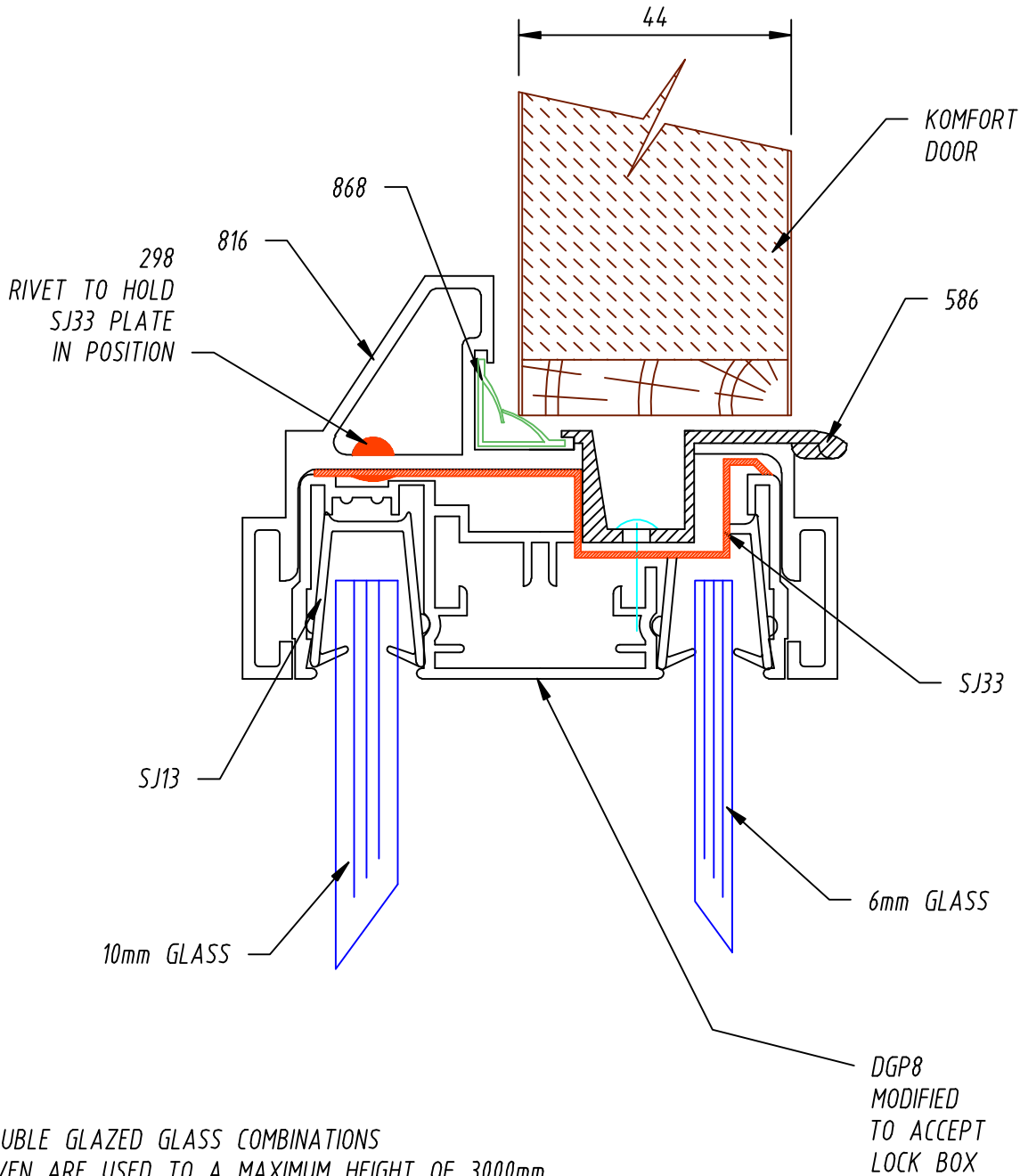
NOTE: ALL DOORSETS TO HAVE GLASS OVERPANEL TO PROVIDE DEFLECTION ABOVE

SJ39 TO BE INSERTED INTO CHANNEL BEFORE FIXING TO CEILING

THIS IS A NON FIRE PERFORMANCE ASSEMBLY  
 ALL GLASS MUST CONFORM TO BS 6262 & DOCUMENT 'N' BUILDING REGULATIONS  
 DOUBLE GLAZED GLASS COMBINATIONS GIVEN ARE USED TO A MAXIMUM HEIGHT OF 2400mm. IN 10mm GLASS & 3000mm IN 12mm GLASS  
 FOR ADDITIONAL HEIGHTS CONSULT OUR TECHNICAL DEPT  
 MANIFESTATION TO GLASS FROM THE FINISHED FLOOR LEVEL MUST BE INSTALLED IN ACCORDANCE WITH DOCUMENT 'N' BUILDING REGULATIONS  
 ALL DIMENSIONS ARE IN mm & NOMINAL



ISSUE	DESCRIPTION OF CHANGE	DATE	TITLE
		11/04/06	POLAR DOUBLE GLAZED DEFLECTION HEAD DETAIL (+25mm TOLERANCE)
MATERIAL :		DRAWN SSG	DRAWING No 14065
FINISH :		CHKD	
		SCALE NTS	ISSUE 3



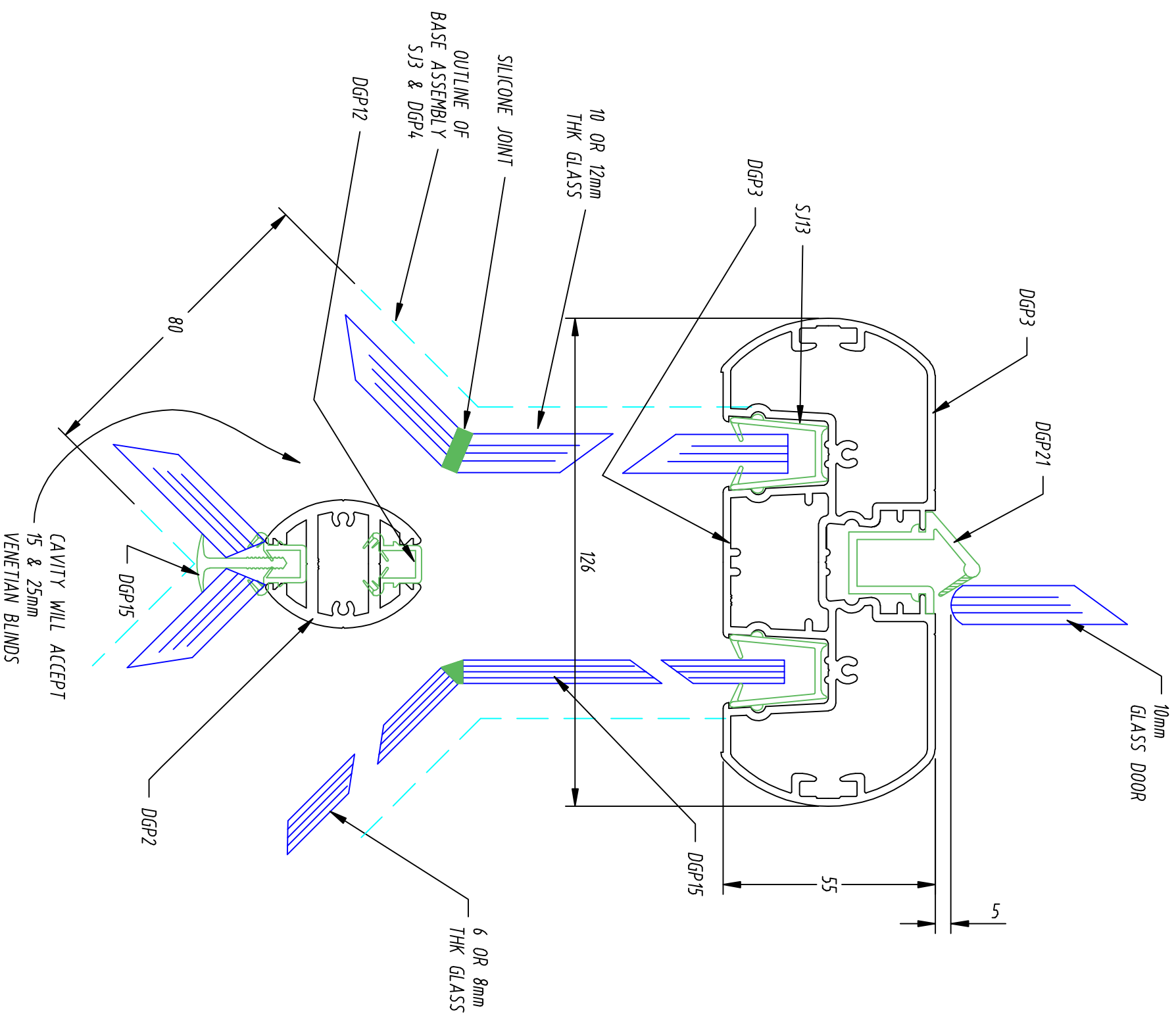
DOUBLE GLAZED GLASS COMBINATIONS  
GIVEN ARE USED TO A MAXIMUM HEIGHT OF 3000mm.

ALL GLASS MUST CONFORM TO  
BS 6262 & DOCUMENT  
'N' BUILDING REGULATIONS

ALL DIMENSIONS ARE NOMINAL & IN mm

MANIFESTATION 1500mm FROM THE FINISHED  
FLOOR LEVEL MUST BE INSTALLED IN ACCORDANCE  
WITH DOCUMENT 'N' BUILDING REGULATIONS  
WHEN BLINDS ARE NOT INCLUDED

		DATE	09:11:09	TITLE	DOUBLE GLAZED POLAR FIXING OF CAST LOCK BOX 586 INTO KOMFIRE 75mm DOOR FRAME (816)
ISSUE	DESCRIPTION OF CHANGE	DRAWN	SSG	DRAWING No	14062
MATERIAL :		CHKD		ISSUE	2
FINISH :		SCALE	1:1		



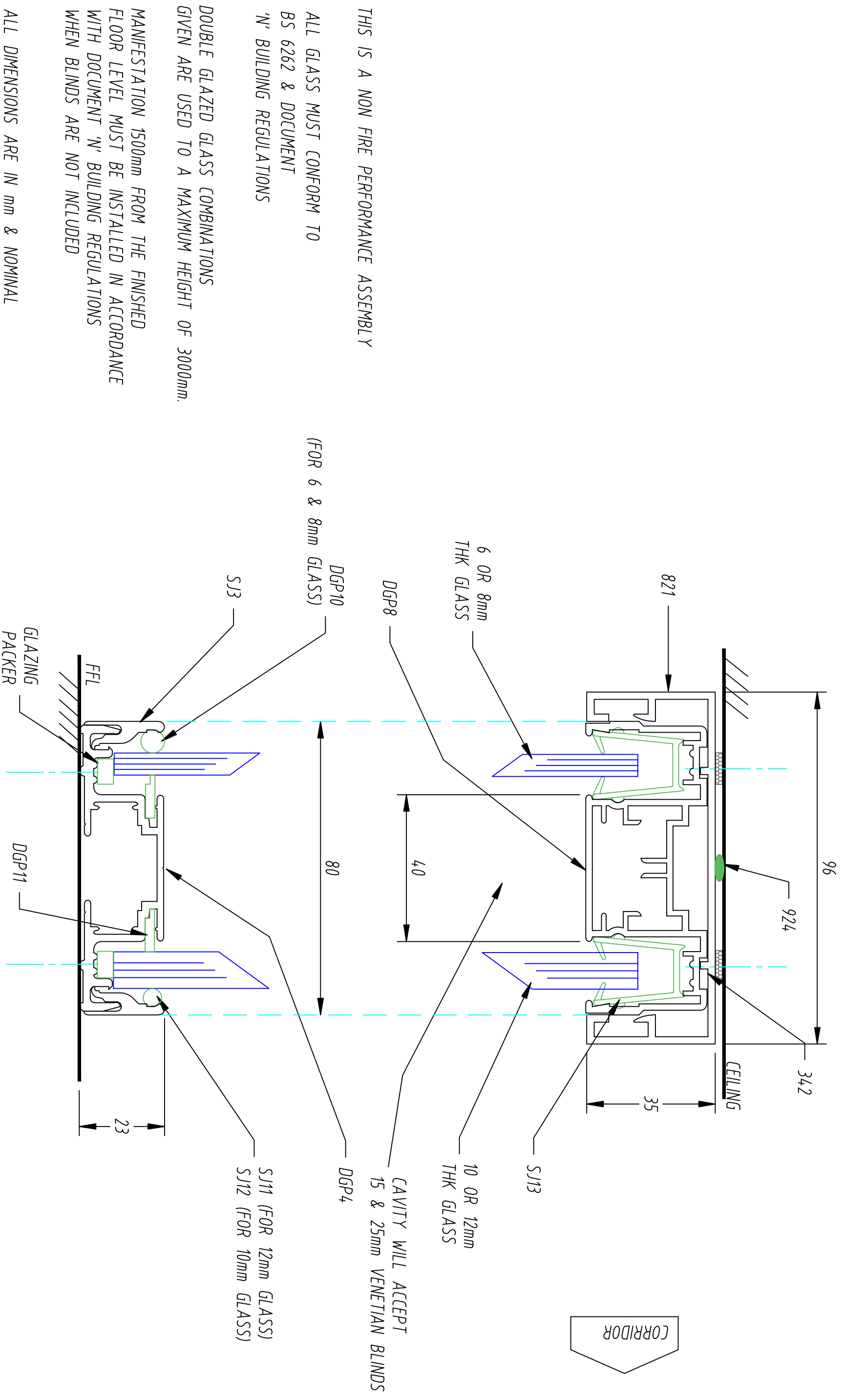
THIS IS A NON FIRE PERFORMANCE ASSEMBLY  
 ALL GLASS MUST CONFORM TO  
 BS 6262 & DOCUMENT  
 'N' BUILDING REGULATIONS

DOUBLE GLAZED GLASS COMBINATIONS  
 GIVEN ARE USED TO A MAXIMUM HEIGHT OF 3000mm.  
 MANIFESTATION 1500mm FROM THE FINISHED  
 FLOOR LEVEL MUST BE INSTALLED IN ACCORDANCE  
 WITH DOCUMENT 'N' BUILDING REGULATIONS  
 WHEN BLINDS ARE NOT INCLUDED IN PARTITION  
 AND SUBJECT TO IRONMONGERY INSTALLED  
 MAY BE REQUIRED TO GLASS DOOR

ALL DIMENSIONS ARE IN mm & NOMINAL

© COPYRIGHT & DESIGN 2009 PROPERTY OF

ISSUE	DESCRIPTION OF CHANGE	DATE	DRAWN	TITLE	ISSUE
		30.09.09	SSG	DOUBLE GLAZED POLAR 3 WAY JUNCTION DOUBLE GLAZED	
MATERIAL :		CHKD	BJP	POLAR- GLAZED / DOOR FRAME / GLAZED	
FINISH :		SCALE	1:1	DRAWING No 14061	2



THIS IS A NON FIRE PERFORMANCE ASSEMBLY

ALL GLASS MUST CONFORM TO  
BS 6262 & DOCUMENT  
'N' BUILDING REGULATIONS

DOUBLE GLAZED GLASS COMBINATIONS  
GIVEN ARE USED TO A MAXIMUM HEIGHT OF 3000mm.

MANIFESTATION 1500mm FROM THE FINISHED  
FLOOR LEVEL MUST BE INSTALLED IN ACCORDANCE  
WITH DOCUMENT 'N' BUILDING REGULATIONS  
WHEN BLINDS ARE NOT INCLUDED

ALL DIMENSIONS ARE IN mm & NOMINAL

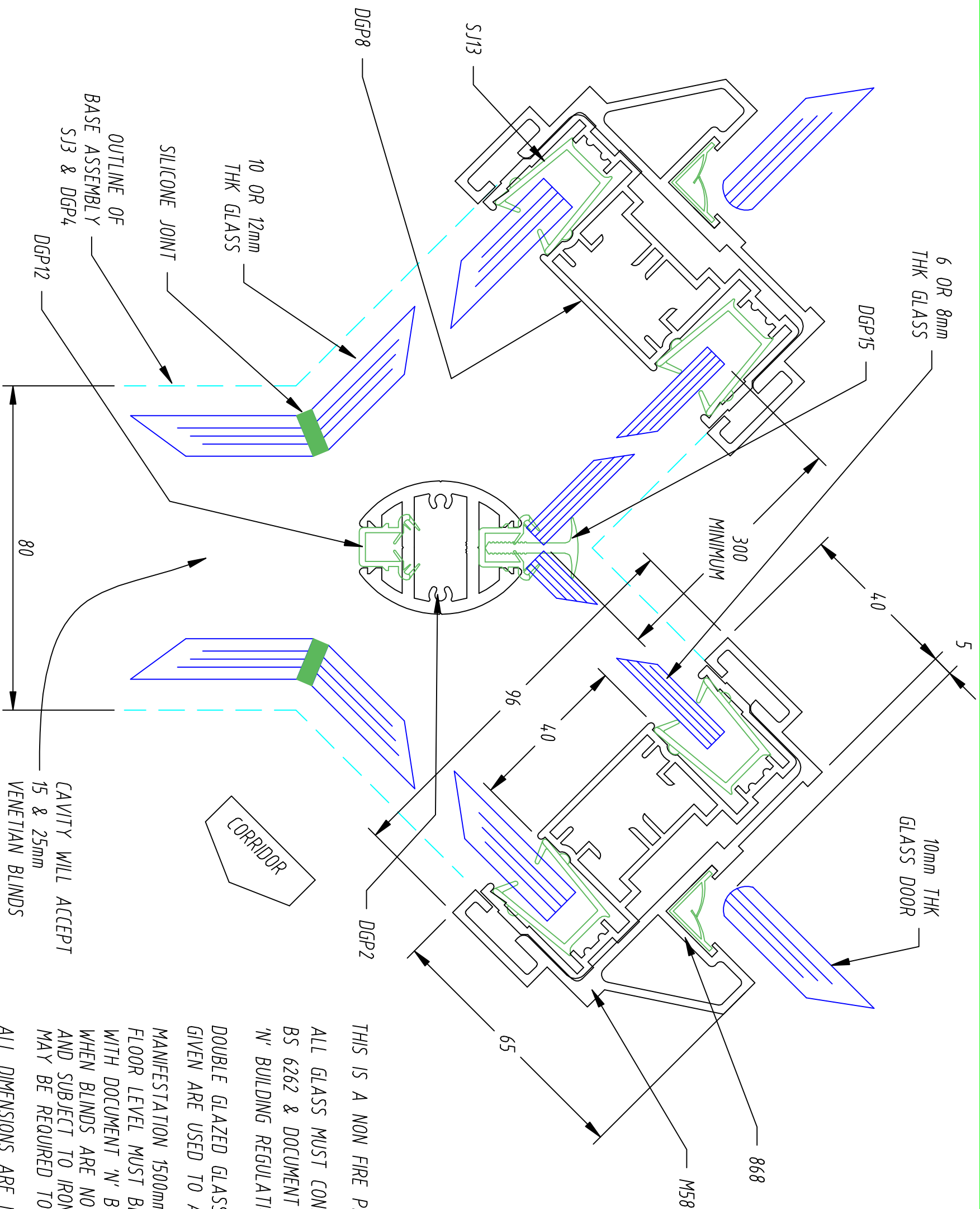
© COPYRIGHT & DESIGN 2009 PROPERTY OF

KOMFORT WORKSPACE Plc  
WHITTLE WAY, CRAWLEY, WEST SUSSEX, RH10 9RT  
TEL : 01293 592500 WEB www.komfort.com

DO NOT SCALE IF IN DOUBT ASK

ISSUE	DESCRIPTION OF CHANGE	DATE	TITLE
		30:09:09	DOUBLE GLAZED POLAR FULL HEIGHT DOUBLE GLAZED MODULE WITH 821 HEAD CHANNEL VERTICAL DETAIL
MATERIAL :		CHKD BJP	DRAWING No 14060
FINISH :		SCALE 1:1	ISSUE 2





THIS IS A NON FIRE PERFORMANCE ASSEMBLY

ALL GLASS MUST CONFORM TO BS 6262 & DOCUMENT 'N' BUILDING REGULATIONS

DOUBLE GLAZED GLASS COMBINATIONS GIVEN ARE USED TO A MAXIMUM HEIGHT OF 3000mm.

MANIFESTATION 1500mm FROM THE FINISHED FLOOR LEVEL MUST BE INSTALLED IN ACCORDANCE WITH DOCUMENT 'N' BUILDING REGULATIONS

WHEN BLINDS ARE NOT INCLUDED IN PARTITION AND SUBJECT TO IRONMONGERY INSTALLED MAY BE REQUIRED TO GLASS DOOR

ALL DIMENSIONS ARE IN mm & NOMINAL

© COPYRIGHT & DESIGN 2009 PROPERTY OF



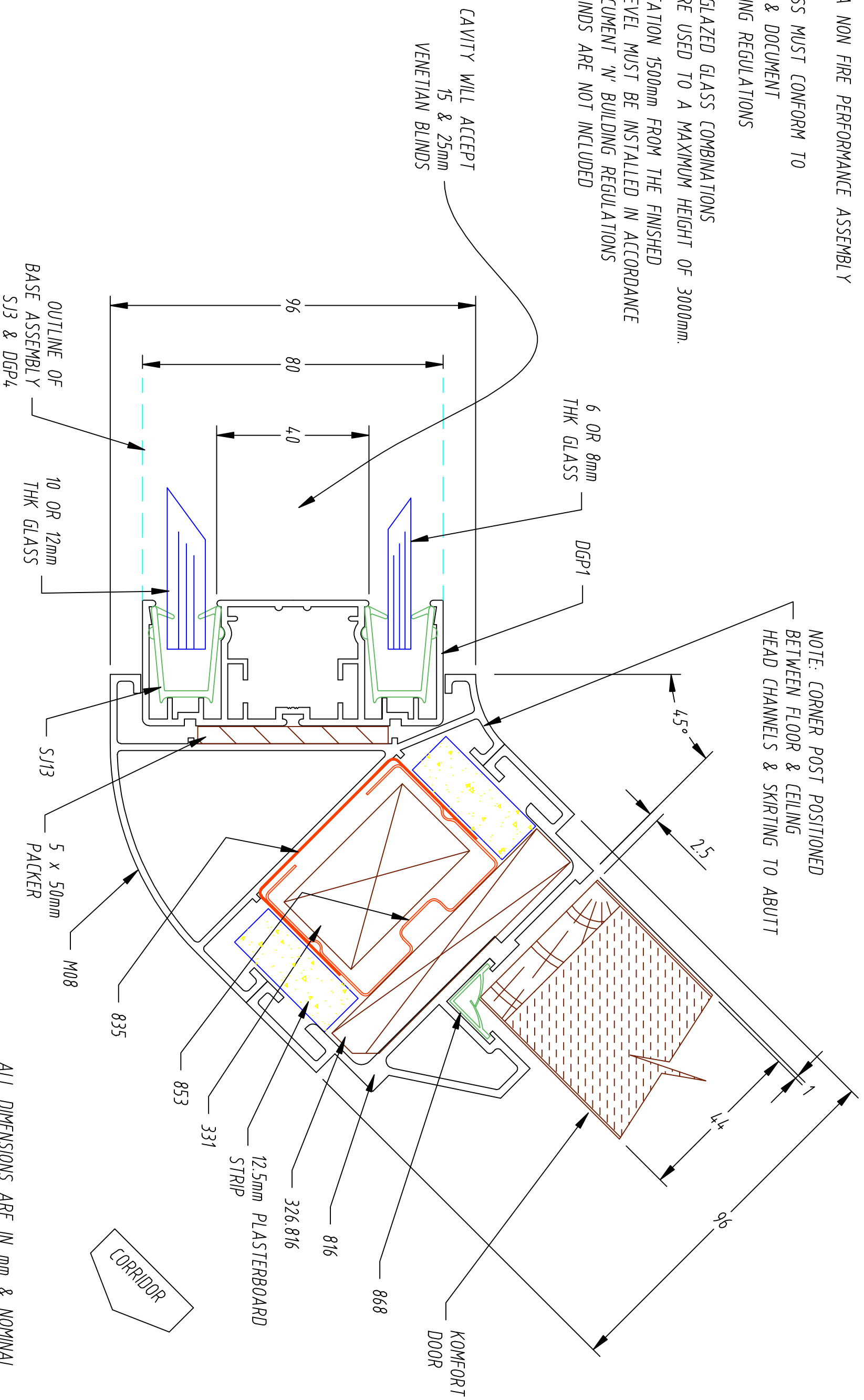
KOMFORT WORKSPACE Plc  
 WHITTLE WAY, CRAWLEY, WEST SUSSEX, RH10 9RT  
 TEL : 01293 592500 WEB www.komfort.com  
 DO NOT SCALE IF IN DOUBT ASK

ISSUE	DESCRIPTION OF CHANGE	DATE	06:11:09	TITLE 'Y' JUNCTION GLASS DOOR / GLAZED/ GLASS DOOR TO KOMFIRE 75	ISSUE
MATERIAL :		DRAWN	SSG	DOOR FRAME (816)	2
FINISH :		CHKD	BJP	DRAWING No 14059	
		SCALE	1:1		

THIS IS A NON FIRE PERFORMANCE ASSEMBLY

ALL GLASS MUST CONFORM TO  
BS 6262 & DOCUMENT  
'N' BUILDING REGULATIONS

DOUBLE GLAZED GLASS COMBINATIONS  
GIVEN ARE USED TO A MAXIMUM HEIGHT OF 3000mm.  
MANIFESTATION 1500mm FROM THE FINISHED  
FLOOR LEVEL MUST BE INSTALLED IN ACCORDANCE  
WITH DOCUMENT 'N' BUILDING REGULATIONS  
WHEN BLINDS ARE NOT INCLUDED



ALL DIMENSIONS ARE IN mm & NOMINAL

© COPYRIGHT & DESIGN 2009 PROPERTY OF

KOMFORT WORKSPACE Plc  
WHITTLE WAY, CRAWLEY, WEST SUSSEX, RH10 9RT  
TEL : 01293 592500 WEB www.komfort.com  
DO NOT SCALE IF IN DOUBT ASK

ISSUE	DESCRIPTION OF CHANGE	DATE	DRAWN	SSG	TITLE
MATERIAL :		09:11:09	SSG	SSG	135° RADIUS CORNER DOUBLE GLAZED POLAR TO KOMFIRE 75 DOOR FRAME (816)
FINISH :			CHKD	BJP	DRAWING No 14058
			SCALE	1:1	ISSUE 2

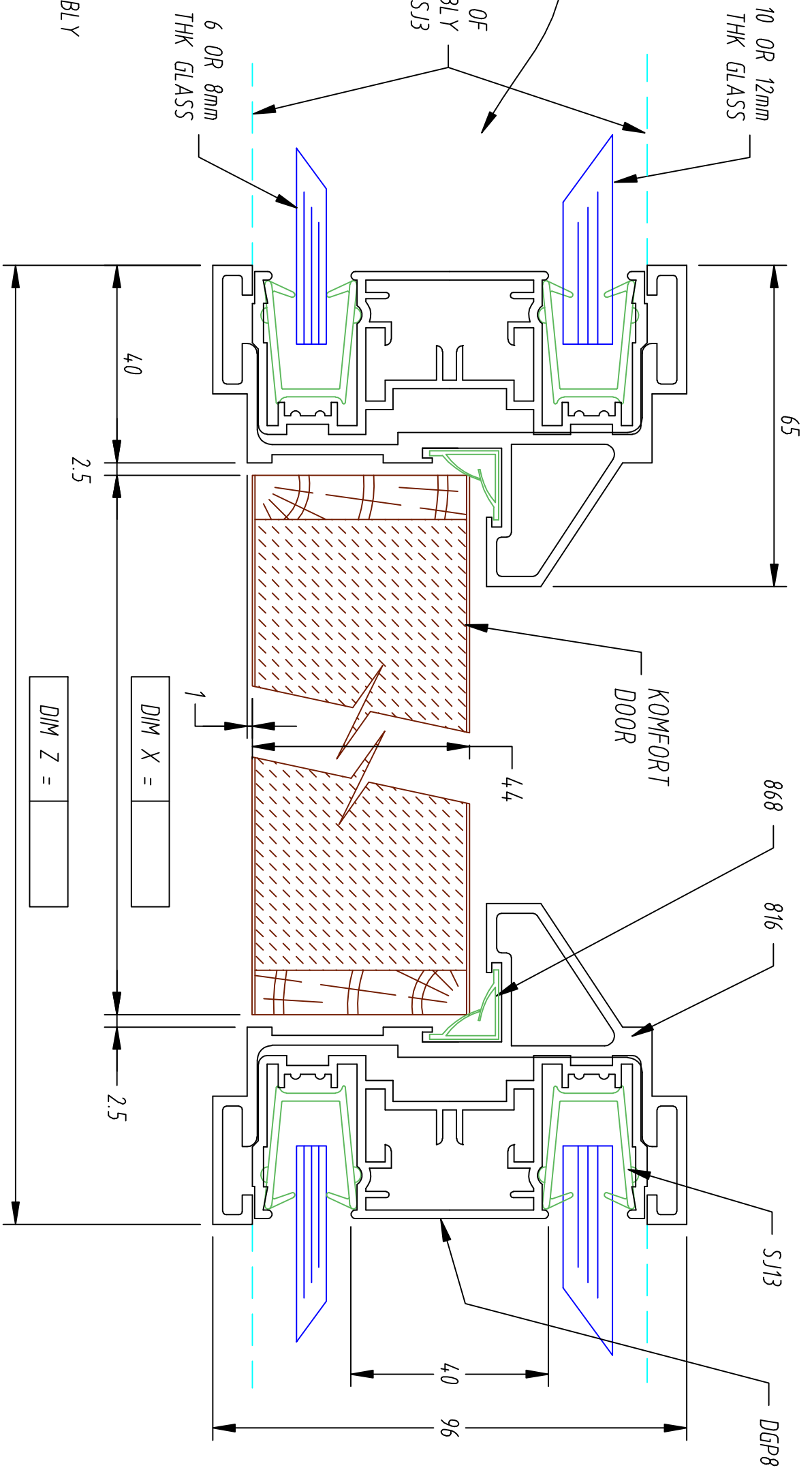
CORRIDOR

CAVITY WILL ACCEPT 15 & 25mm VENETIAN BLINDS

OUTLINE OF BASE ASSEMBLY DGP4 & SJ3

10 OR 12mm THK GLASS

6 OR 8mm THK GLASS



THIS IS A NON FIRE PERFORMANCE ASSEMBLY

ALL GLASS MUST CONFORM TO BS 6262 & DOCUMENT 'N' BUILDING REGULATIONS

DOUBLE GLAZED GLASS COMBINATIONS GIVEN ARE USED TO A MAXIMUM HEIGHT OF 3000mm.

MANIFESTATION 1500mm FROM THE FINISHED FLOOR LEVEL MUST BE INSTALLED IN ACCORDANCE WITH DOCUMENT 'N' BUILDING REGULATIONS WHEN BLINDS ARE NOT INCLUDED

ALL DIMENSIONS ARE IN mm & NOMINAL

\* INCLUDES 2mm GAP BETWEEN DOORS

TYPE	DOOR WIDTH	DISTANCE BETWEEN DGP4 & SJ3 BASE CHANNEL $Z = X + 85$
SINGLE	X	Z
	762	847
	826 838	911 923
HOSPITAL	1145* ( 1 1/2 x 762 )	1230
	1259* ( 1 1/2 x 838 )	1342
DOUBLE	1526* ( 2 x 762 )	1611
	1678* ( 2 x 838 )	1763

© COPYRIGHT & DESIGN 2009 PROPERTY OF



KOMFORT WORKSPACE Plc  
WHITTLE WAY, CRAWLEY, WEST SUSSEX, RH10 9RT  
TEL : 01293 592500 WEB www.komfort.com

ISSUE	DESCRIPTION OF CHANGE	DATE	DRAWN	SSG	TITLE	ISSUE
MATERIAL :		09:11:09	CHKD	BJP	DOUBLE GLAZED POLAR TIMBER DOOR MODULE USING KOMFIRE 75 DOOR FRAME (816) HORIZONTAL SECTION	2
FINISH :			SCALE	1:1	DRAWING No <b>14057</b>	

DO NOT SCALE IF IN DOUBT ASK

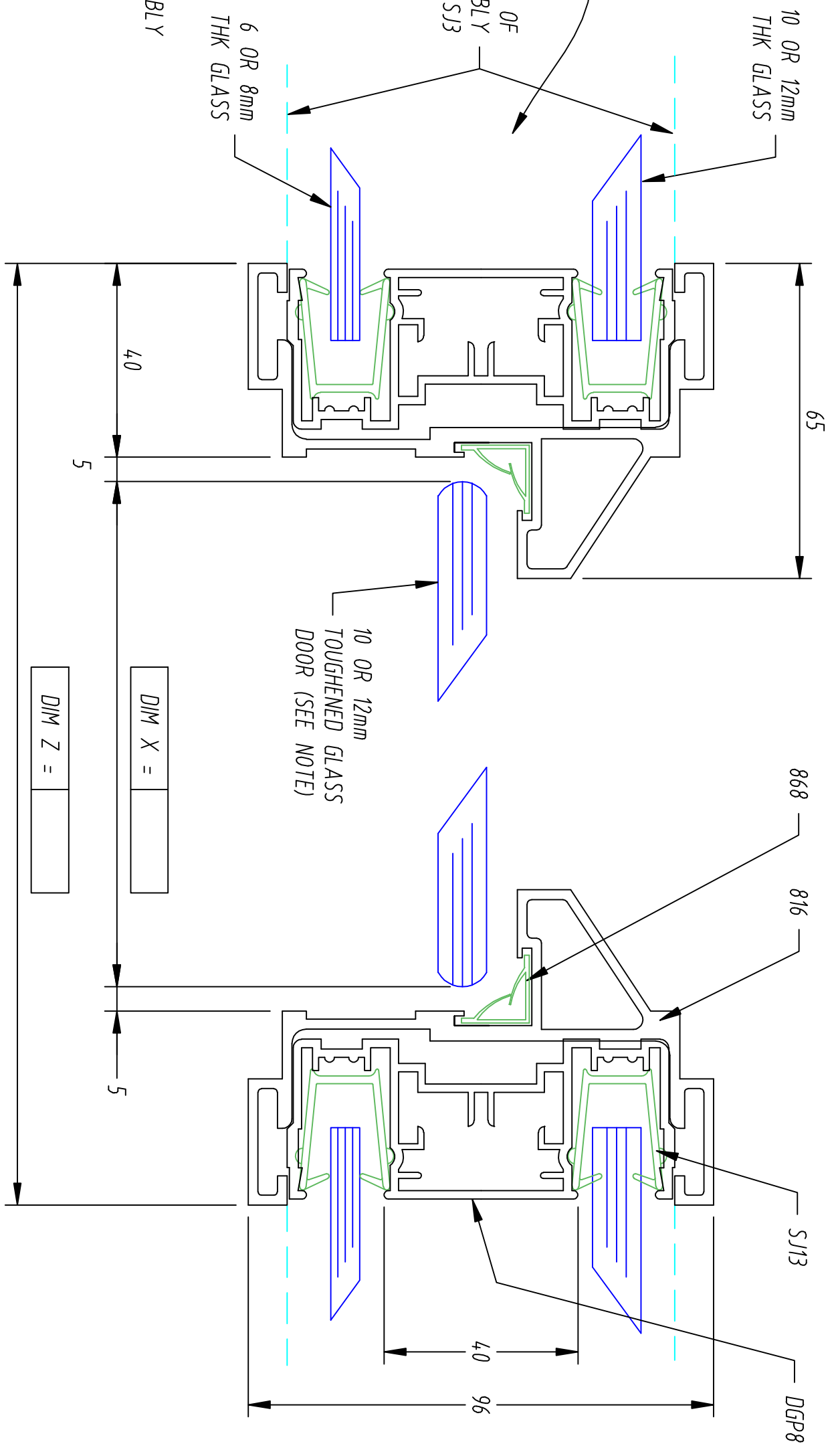
CORRIDOR

CAVITY WILL ACCEPT 15 & 25mm VENETIAN BLINDS

OUTLINE OF BASE ASSEMBLY DGP4 & SJ3

6 OR 8mm THK GLASS

10 OR 12mm THK GLASS



DIM X =

DIM Z =

THIS IS A NON FIRE PERFORMANCE ASSEMBLY  
 ALL GLASS MUST CONFORM TO  
 BS 6262 & DOCUMENT  
 'N' BUILDING REGULATIONS  
 DOUBLE GLAZED GLASS COMBINATIONS  
 GIVEN ARE USED TO A MAXIMUM HEIGHT OF 3000mm.

MANIFESTATION 1500mm FROM THE FINISHED  
 FLOOR LEVEL MUST BE INSTALLED IN ACCORDANCE  
 WITH DOCUMENT 'N' BUILDING REGULATIONS  
 WHEN BLINDS ARE NOT INCLUDED IN PARTITION  
 AND SUBJECT TO IRONMONGERY INSTALLED  
 MAY BE REQUIRED TO GLASS DOOR

ALL DIMENSIONS ARE IN mm & NOMINAL

12mm GLASS DOOR USED TO A MAXIMUM HEIGHT OF 3000mm  
 10mm GLASS DOOR USED TO A MAXIMUM HEIGHT OF 2440mm

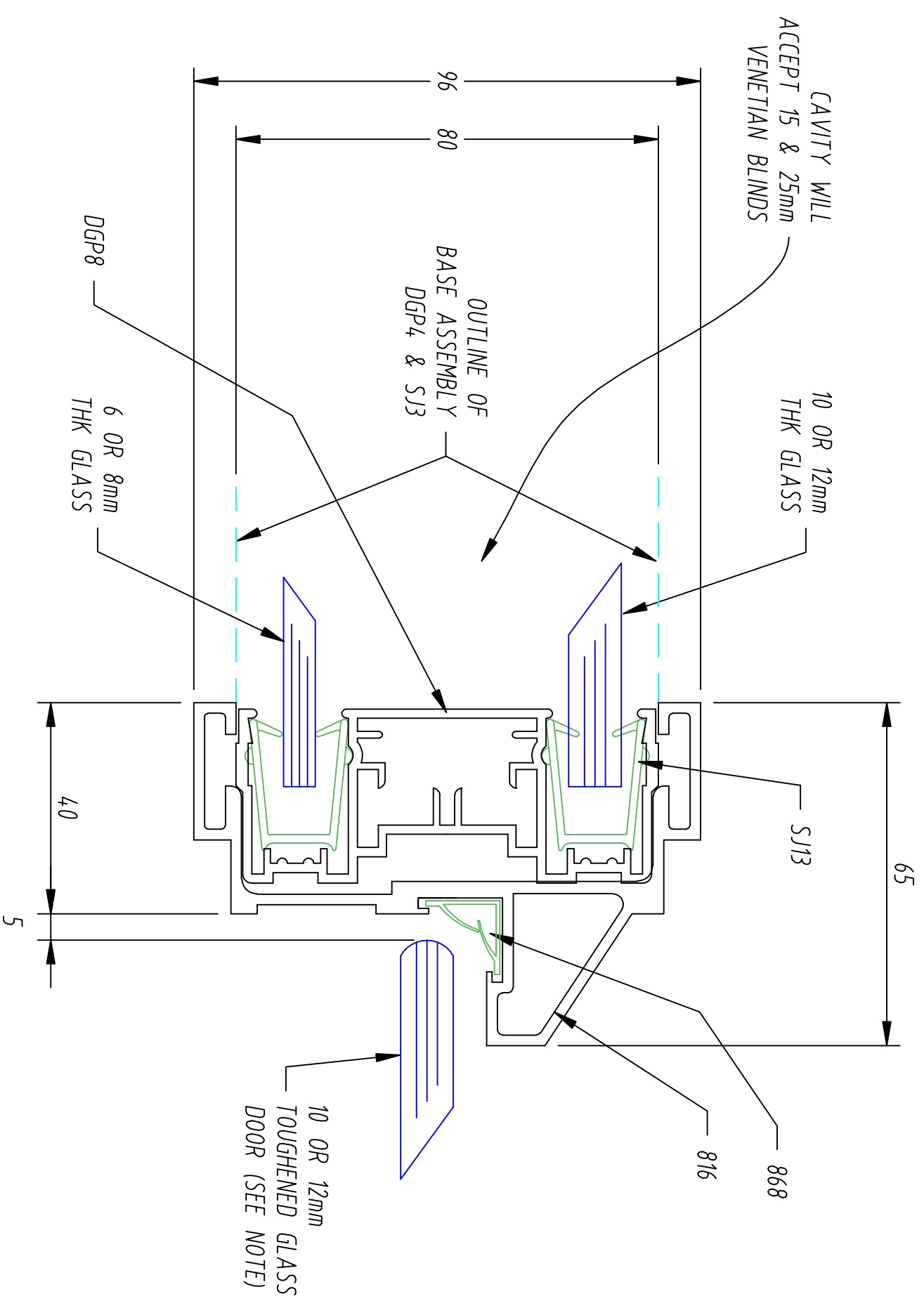
DOOR WIDTH DIM X	DISTANCE BETWEEN DGP4 & SJ3 BASE CHANNEL DIM Z
835 (SINGLE)	925



© COPYRIGHT & DESIGN 2009 PROPERTY OF  
 KOMFORT WORKSPACE Plc  
 WHITTLE WAY, CRAWLEY, WEST SUSSEX, RH10 9RT  
 TEL : 01293 592500 WEB www.komfort.com

ISSUE	DESCRIPTION OF CHANGE	DATE	06:11:09	TITLE	DOUBLE GLAZED POLAR GLASS DOOR MODULE USING KOMFIRE 75 DOORFRAME (816) HORIZONTAL SECTION
MATERIAL :		DRAWN	SSG	DRAWING No	14056
FINISH :		CHKD	BJP	SCALE	1:1
				ISSUE	2

CORRIDOR



THIS IS A NON FIRE PERFORMANCE ASSEMBLY

ALL GLASS MUST CONFORM TO  
BS 6262 & DOCUMENT  
'N' BUILDING REGULATIONS

DOUBLE GLAZED GLASS COMBINATIONS  
GIVEN ARE USED TO A MAXIMUM HEIGHT OF 3000mm.

MANIFESTATION 1500mm FROM THE FINISHED  
FLOOR LEVEL MUST BE INSTALLED IN ACCORDANCE  
WITH DOCUMENT 'N' BUILDING REGULATIONS  
WHEN BLINDS ARE NOT INCLUDED IN PARTITION  
AND SUBJECT TO IRONMONGERY INSTALLED  
MAY BE REQUIRED TO GLASS DOOR

ALL DIMENSIONS ARE IN mm & NOMINAL

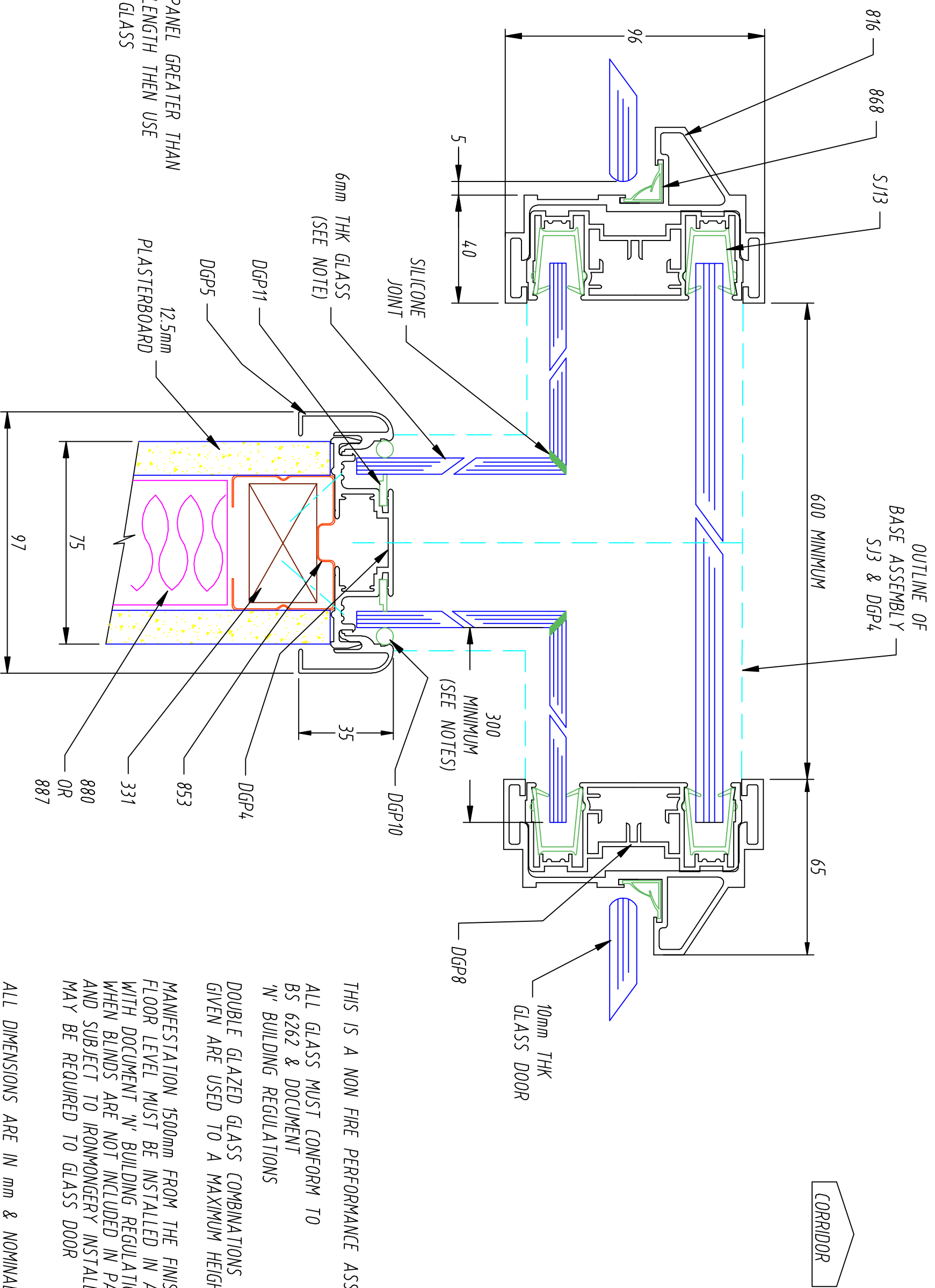
© COPYRIGHT & DESIGN 2009 PROPERTY OF



KOMFORT WORKSPACE Plc  
WHITTLE WAY, CRAWLEY, WEST SUSSEX, RH10 9RT  
TEL : 01293 592500 WEB www.komfort.com

DO NOT SCALE IF IN DOUBT ASK

ISSUE	DESCRIPTION OF CHANGE	DATE	30.09.09	TITLE	DOUBLE GLAZED POLAR GLASS DOOR TO KOMFIRE DOOR FRAME (816)	ISSUE	2
MATERIAL :		DRAWN	SSG				
FINISH :		CHKD	BJP	DRAWING No	14055		
		SCALE	1:1				



NOTE:  
 IF GLASS PANEL GREATER THAN  
 300mm IN LENGTH THEN USE  
 10mm THK GLASS

THIS IS A NON FIRE PERFORMANCE ASSEMBLY  
 ALL GLASS MUST CONFORM TO  
 BS 6262 & DOCUMENT  
 'N' BUILDING REGULATIONS  
 DOUBLE GLAZED GLASS COMBINATIONS  
 GIVEN ARE USED TO A MAXIMUM HEIGHT OF 3000mm.  
 MANIFESTATION 1500mm FROM THE FINISHED  
 FLOOR LEVEL MUST BE INSTALLED IN ACCORDANCE  
 WITH DOCUMENT 'N' BUILDING REGULATIONS  
 WHEN BLINDS ARE NOT INCLUDED IN PARTITION  
 AND SUBJECT TO IRONMONGERY INSTALLED  
 MAY BE REQUIRED TO GLASS DOOR

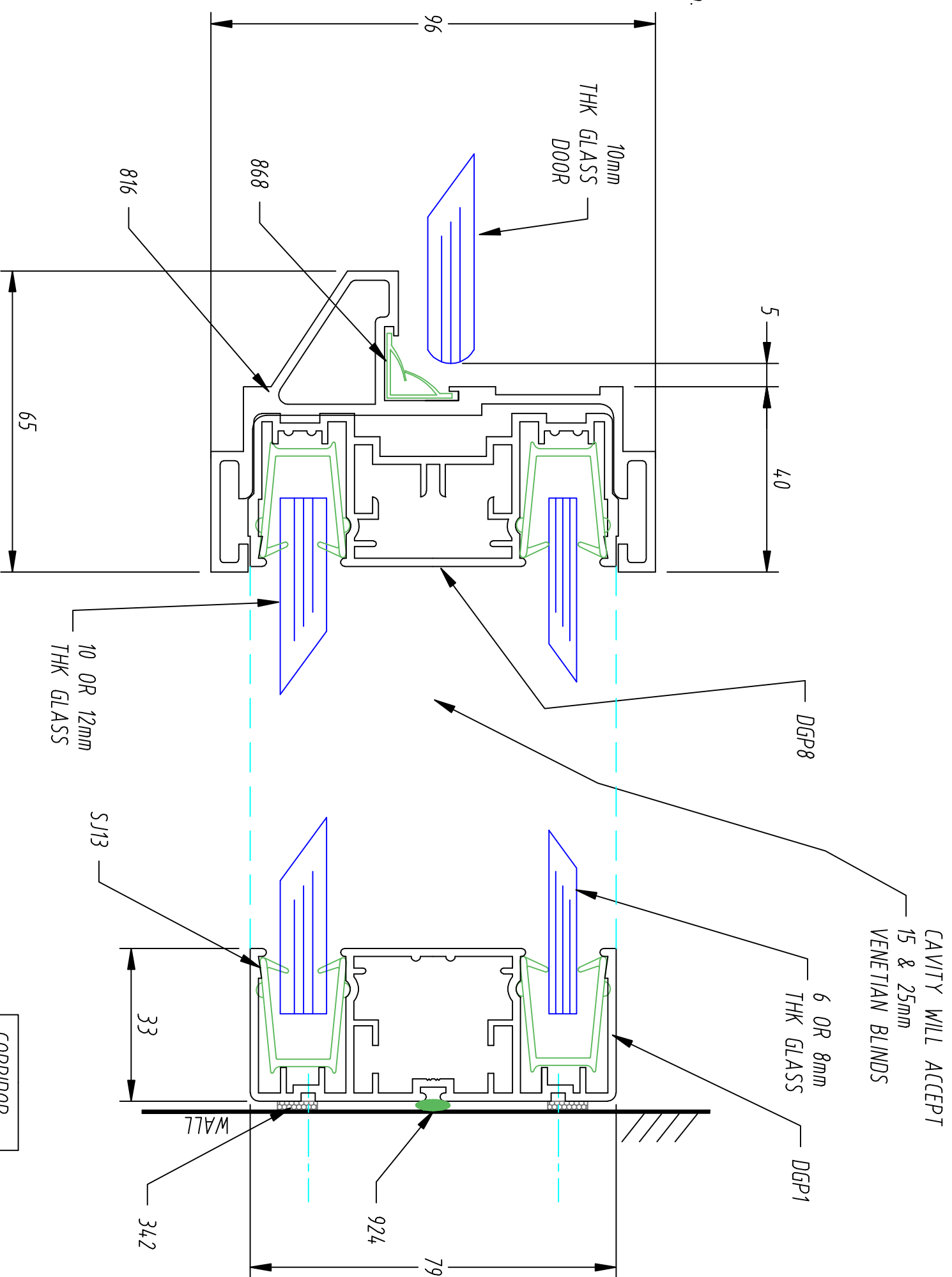
ALL DIMENSIONS ARE IN mm & NOMINAL

ISSUE	DESCRIPTION OF CHANGE	DATE	TITLE 3 WAY JUNCTION GLASS DOOR/ SOLID / GLASS DOOR TO KOMFIRE 75 DOOR FRAME (816)
DRAWN	SSG	06:11:09	
MATERIAL :	CHKD	BJP	DRAWING No 14054
FINISH :	SCALE	NTS	ISSUE 2

THIS IS A NON FIRE PERFORMANCE ASSEMBLY

ALL GLASS MUST CONFORM TO  
BS 6262 & DOCUMENT  
'N' BUILDING REGULATIONS

DOUBLE GLAZED GLASS COMBINATIONS  
GIVEN ARE USED TO A MAXIMUM HEIGHT OF 3000mm.



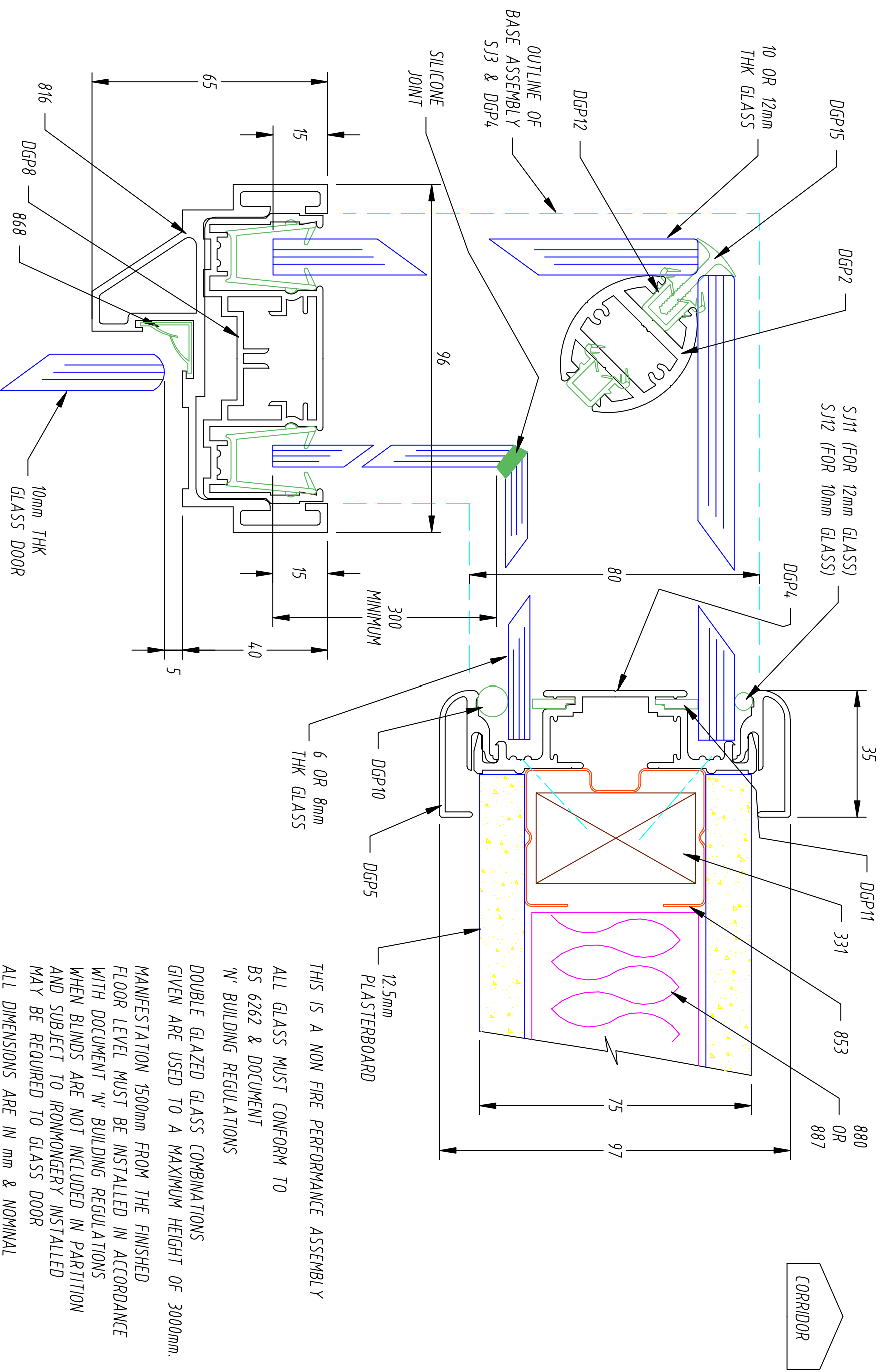
MANIFESTATION 1500mm FROM THE FINISHED  
FLOOR LEVEL MUST BE INSTALLED IN ACCORDANCE  
WITH DOCUMENT 'N' BUILDING REGULATIONS  
WHEN BLINDS ARE NOT INCLUDED IN PARTITION  
AND SUBJECT TO IRONMONGERY INSTALLED  
MAY BE REQUIRED TO GLASS DOOR

ALL DIMENSIONS ARE IN mm & NOMINAL



© COPYRIGHT & DESIGN 2009 PROPERTY OF  
KOMFORT WORKSPACE Plc  
WHITTLE WAY, CRAWLEY, WEST SUSSEX, RH10 9RT  
TEL : 01293 592500 WEB www.komfort.com  
DO NOT SCALE IF IN DOUBT ASK

ISSUE	DESCRIPTION OF CHANGE	DATE	DRAWN	SSG	TITLE
MATERIAL :		05:11:09	CHKD	BJP	ABUTMENT DOUBLE GLAZED TO GLASS DOOR TO KOMFIRE 75 DOORFRAME (816)
FINISH :			SCALE	1:1	DRAWING No <b>14053</b>
					ISSUE <b>2</b>



6 OR 8mm THK GLASS

DGP10  
DGP5  
12.5mm PLASTERBOARD

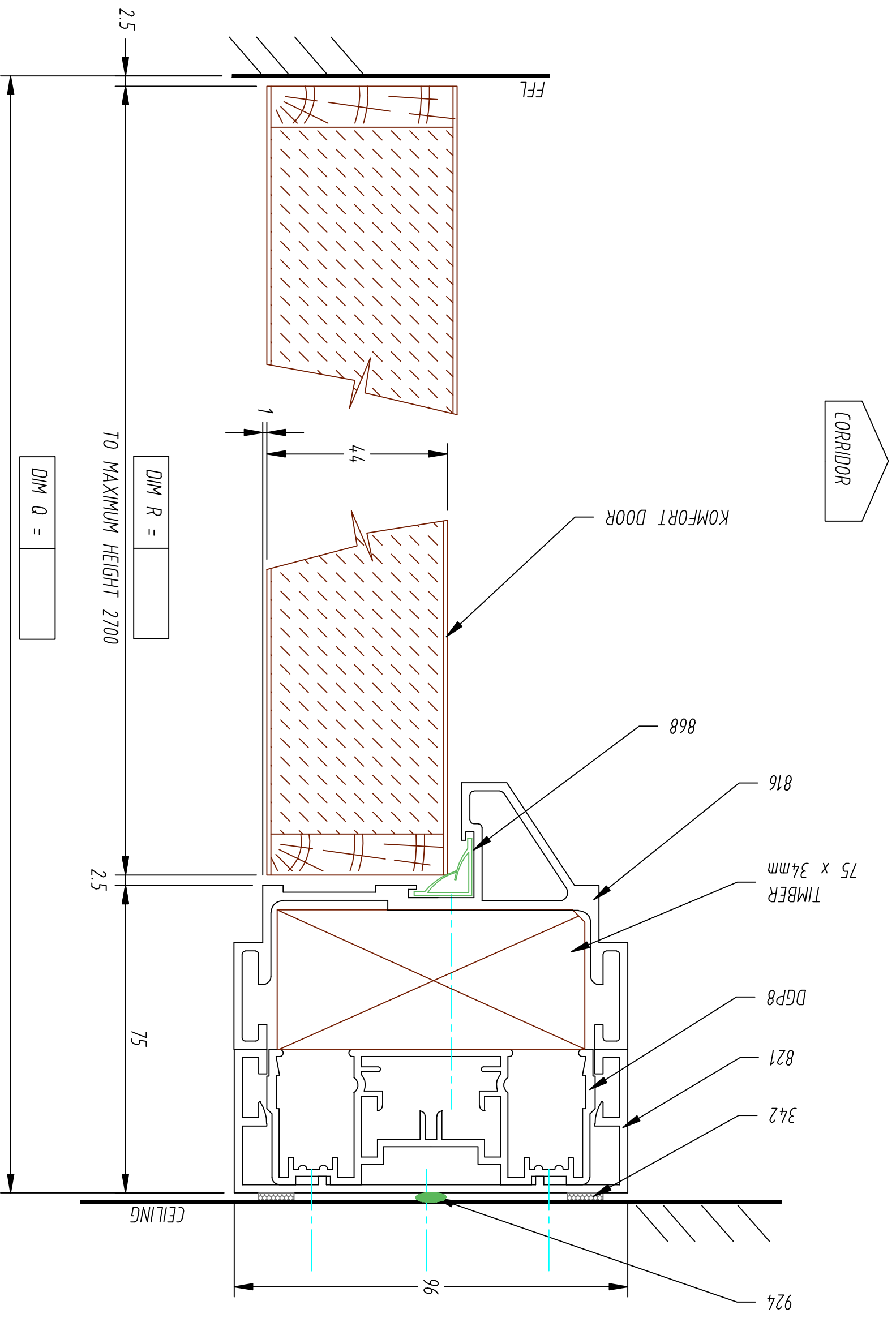
THIS IS A NON FIRE PERFORMANCE ASSEMBLY  
 ALL GLASS MUST CONFORM TO BS 6262 & DOCUMENT 'N' BUILDING REGULATIONS  
 DOUBLE GLAZED GLASS COMBINATIONS GIVEN ARE USED TO A MAXIMUM HEIGHT OF 3000mm.  
 MANIFESTATION 1500mm FROM THE FINISHED FLOOR LEVEL MUST BE INSTALLED IN ACCORDANCE WITH DOCUMENT 'N' BUILDING REGULATIONS  
 WHEN BLINDS ARE NOT INCLUDED IN PARTITION AND SUBJECT TO IRONMONGERY INSTALLED MAY BE REQUIRED TO GLASS DOOR  
 ALL DIMENSIONS ARE IN mm & NOMINAL

ISSUE	DESCRIPTION OF CHANGE	DATE	TITLE
		09:11:09	90° CORNER GLASS DOOR TO KOMFIRE 75 DOOR FRAME (816) TO GLAZED TO SOLID
MATERIAL :		DRAWN SSG	DRAWING No 14052
FINISH :		CHKD BJP	ISSUE 3
		SCALE 1:1	

DIM Q = FLOOR TO CEILING HEIGHT  
 DIM R = DIM Q - 80

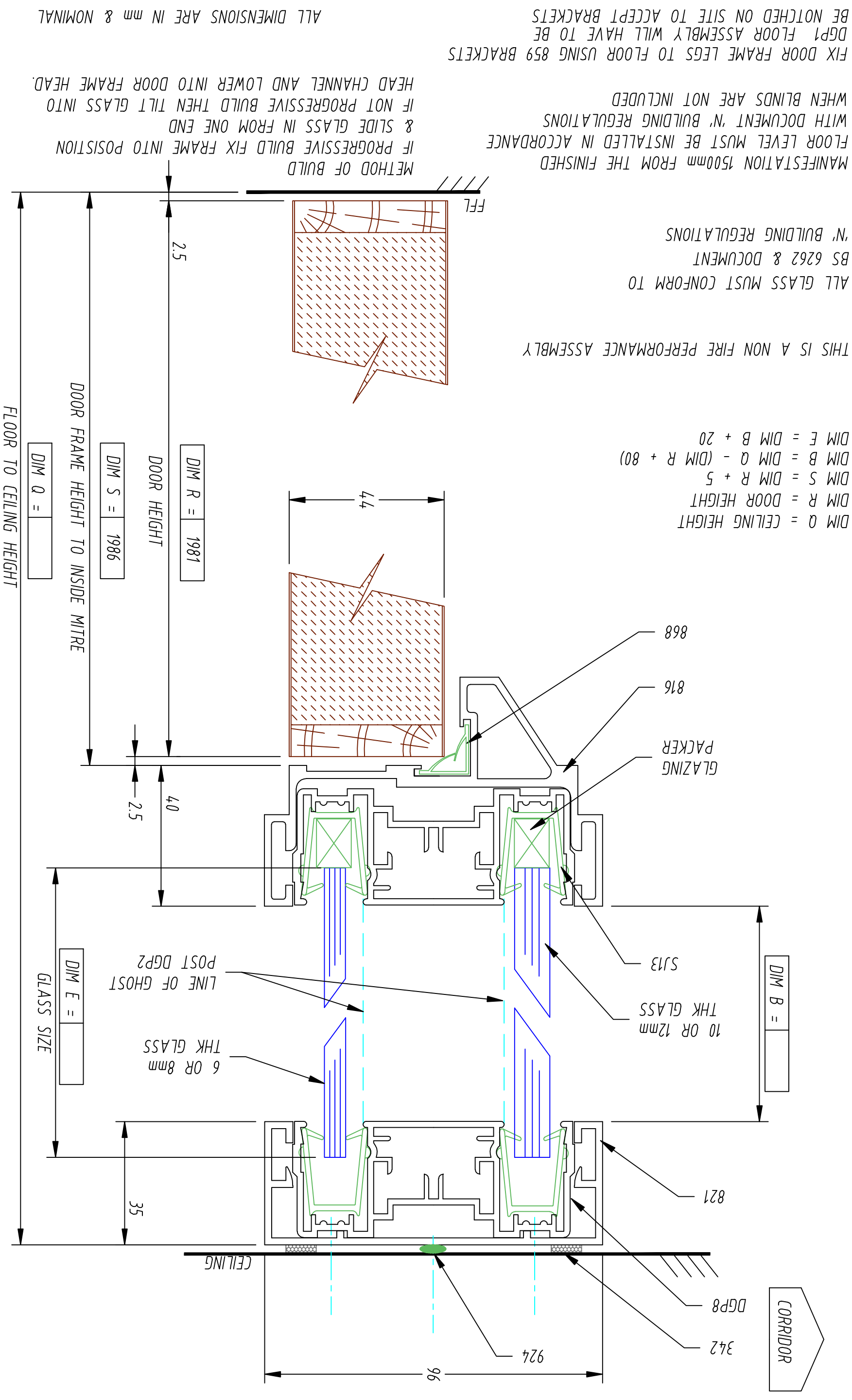
THIS IS A NON FIRE PERFORMANCE ASSEMBLY

ALL DIMENSIONS ARE IN mm & NOMINAL



ISSUE	DESCRIPTION OF CHANGE	DATE	TITLE	ISSUE
		09:11:09	DOUBLE GLAZED POLAR FULL HEIGHT DOOR	
			KOMFIRE 75 DOOR FRAME (816) DETAIL	
MATERIAL :		DRAWN SSG	DRAWING No	
FINISH :		CHKD BJP	14051	
		SCALE 1:1		ISSUE 2

ISSUE	DESCRIPTION OF CHANGE	DATE	TITLE
		09:11:09	GLAZED ABOVE TIMBER DOOR
MATERIAL :		DRAWN	USING KOMFIRE 75 DOOR FRAME (816)
FINISH :		CHKD	VERTICAL DETAIL
		BJP	DRAWING No
		SCALE	14050
			ISSUE
			2



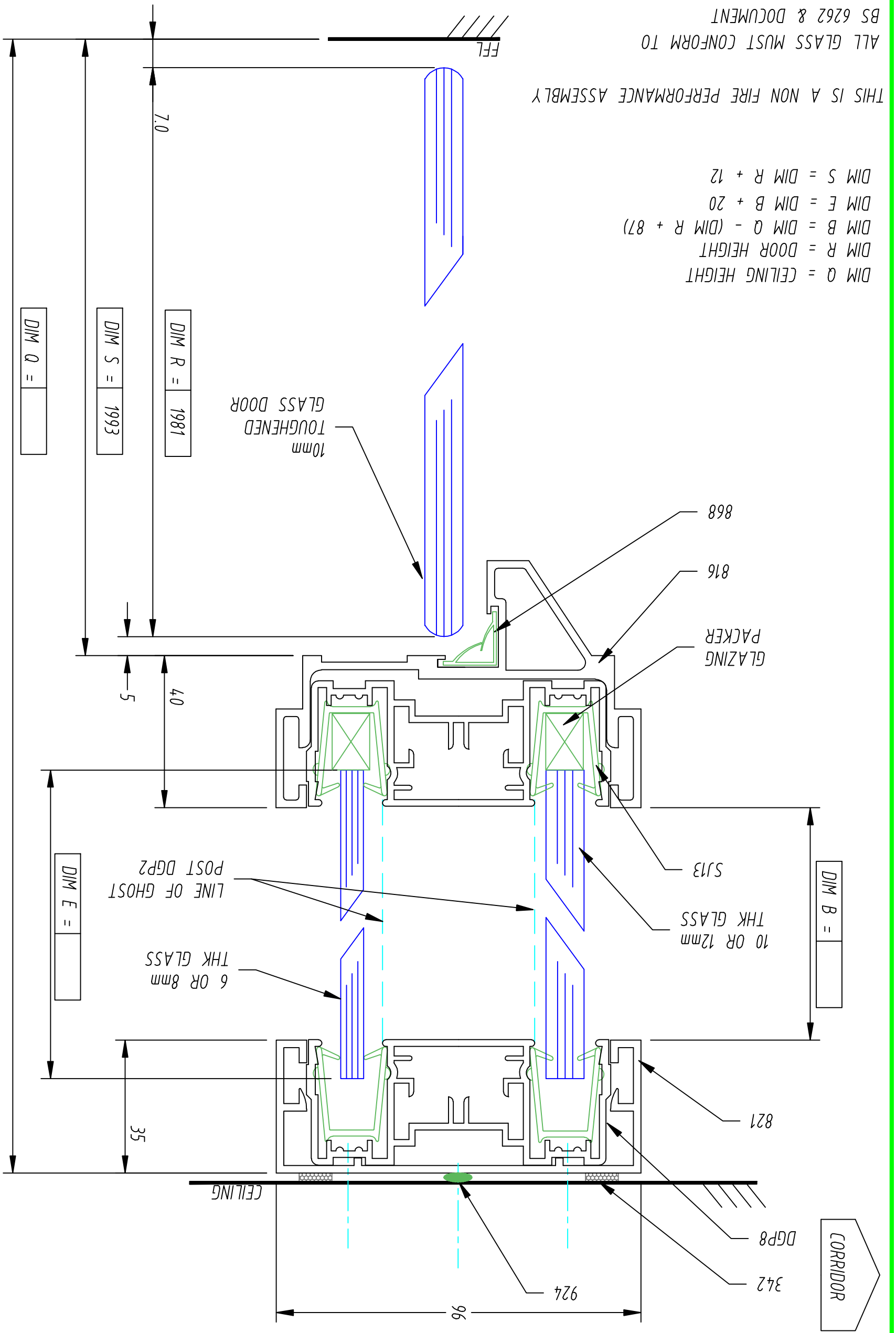
ALL GLASS MUST CONFORM TO BS 6262 & DOCUMENT 'N' BUILDING REGULATIONS

THIS IS A NON FIRE PERFORMANCE ASSEMBLY

DIM Q = CEILING HEIGHT  
 DIM R = DOOR HEIGHT  
 DIM B = DIM Q - (DIM R + 87)  
 DIM E = DIM B + 20  
 DIM S = DIM R + 12

SUBJECT TO SIZE OF IRONMONGERY INSTALLED  
 MANIFESTATION 1500mm FROM THE FINISHED FLOOR LEVEL MAY NEED TO BE INSTALLED IN ACCORDANCE WITH DOCUMENT 'N' BUILDING REGULATIONS

METHOD OF BUILD  
 IF PROGRESSIVE BUILD FIX FRAME INTO POSITION & SLIDE GLASS IN FROM ONE END  
 IF NOT PROGRESSIVE BUILD THEN TILT GLASS INTO HEAD CHANNEL AND LOWER INTO DOOR FRAME HEAD.  
 ALL DIMENSIONS ARE IN mm & NOMINAL



ISSUE	DESCRIPTION OF CHANGE	DATE	DRAWN	SSG	TITLE
MATERIAL :		09:11:09	CHKD	BJP	GLAZED ABOVE GLASS DOOR KOMFIRE 75 DOOR FRAME (816)
FINISH :		SCALE	1:1	DRAWING No	14049
				ISSUE	2

ALL GLASS MUST CONFORM TO BS 6262 & DOCUMENT 'N' BUILDING REGULATIONS

SUBJECT TO SIZE OF IRONMONGERY INSTALLED MANIFESTATION 150mm FROM THE FINISHED FLOOR LEVEL MAY NEED TO BE INSTALLED IN ACCORDANCE WITH DOCUMENT 'N' BUILDING REGULATIONS

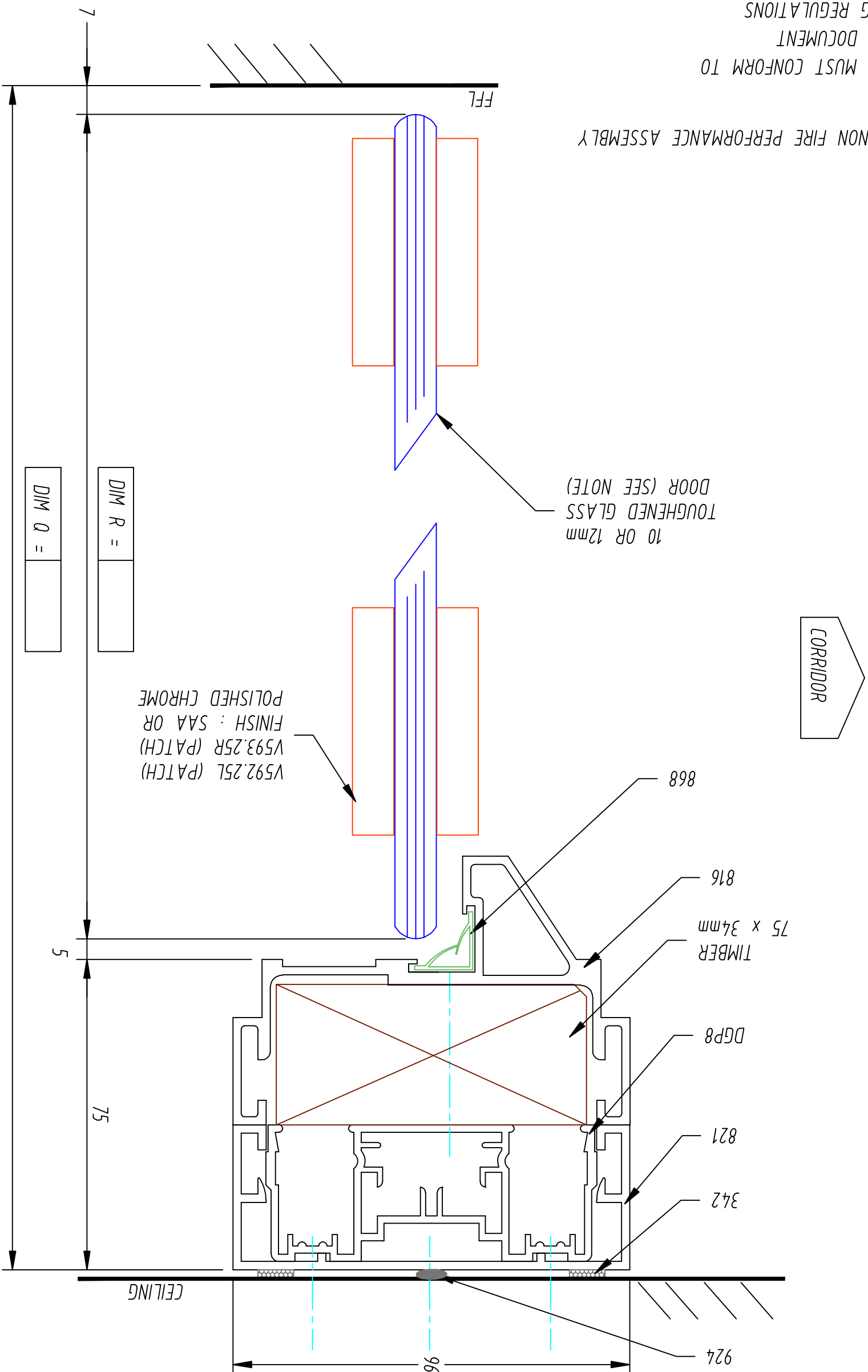
10mm GLASS DOOR USED TO A MAXIMUM HEIGHT OF 2440mm  
12mm GLASS DOOR USED TO A MAXIMUM HEIGHT OF 3000mm

THIS IS A NON FIRE PERFORMANCE ASSEMBLY

10 OR 12mm TOUGHENED GLASS DOOR (SEE NOTE)

DIM Q = FLOOR TO CEILING HEIGHT  
DIM R = DIM Q - 87

ALL DIMENSIONS ARE IN mm & NOMINAL



ISSUE	DESCRIPTION OF CHANGE	DATE	DRAWN	SSG	TITLE
MATERIAL :		06:11:09	SSG	SSG	DOUBLE GLAZED POLAR FULL HEIGHT GLASS DOOR IN KOMFIRE 75
FINISH :			CHKD	BJP	DOOR FRAME (816) DETAIL
			SCALE	1:1	DRAWING No <b>14048</b>
					ISSUE <b>2</b>

FIX DOOR FRAME LEGS TO FLOOR USING 859 BRACKETS  
 DGP1 FLOOR ASSEMBLY WILL HAVE TO BE  
 BE NOTCHED ON SITE TO ACCEPT BRACKETS

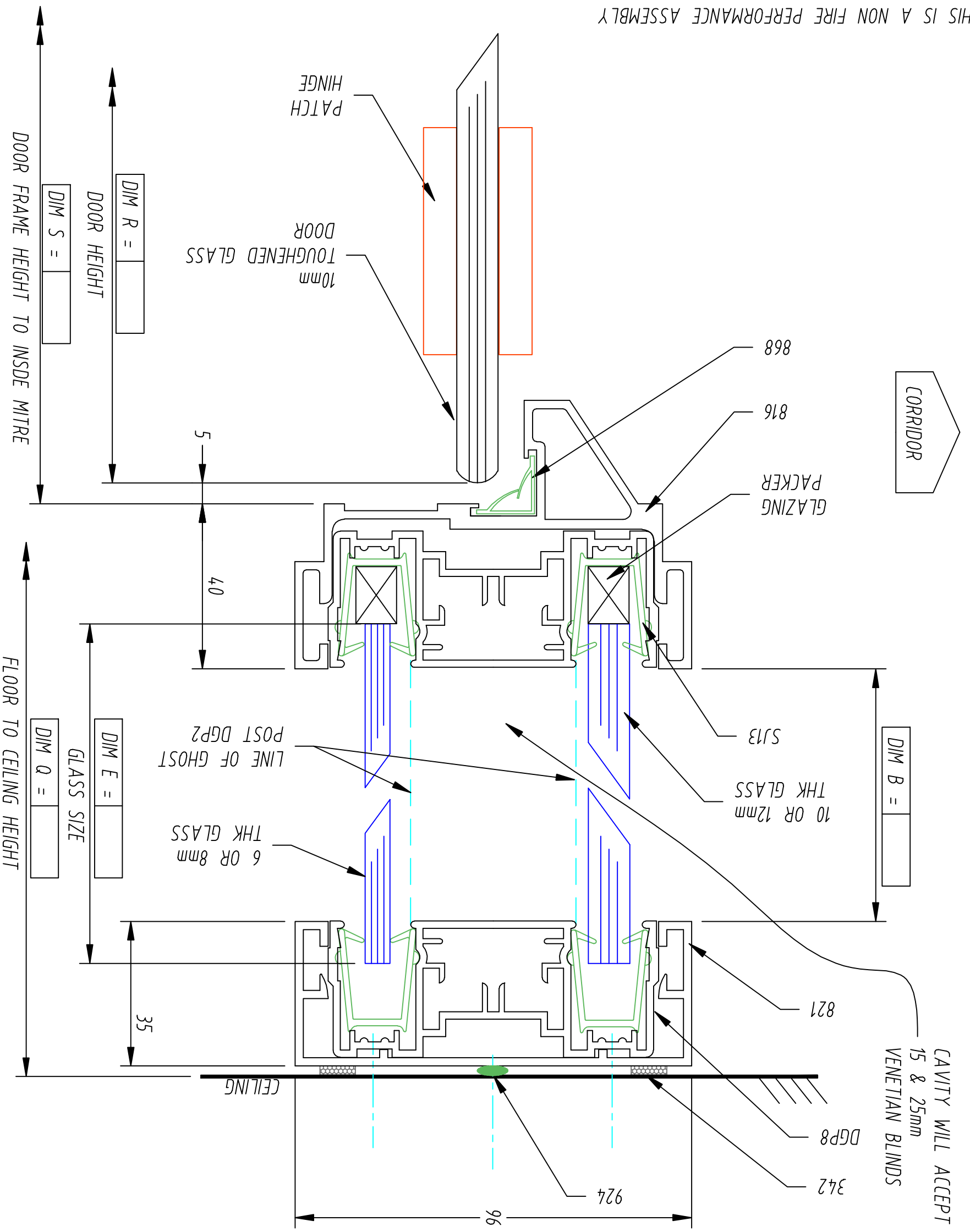
MANIFESTATION 1500mm FROM THE FINISHED  
 FLOOR LEVEL MUST BE INSTALLED IN ACCORDANCE  
 WITH DOCUMENT 'N' BUILDING REGULATIONS  
 WHEN BLINDS ARE NOT INCLUDED

ALL GLASS MUST CONFORM TO  
 BS 6262 & DOCUMENT  
 'N' BUILDING REGULATIONS

THIS IS A NON FIRE PERFORMANCE ASSEMBLY

METHOD OF BUILD  
 IF PROGRESSIVE BUILD FIX FRAME INTO POSITION  
 & SLIDE GLASS IN FROM ONE END  
 IF NOT PROGRESSIVE BUILD THEN TILT GLASS INTO  
 HEAD CHANNEL AND LOWER INTO DOOR FRAME HEAD.

DIM Q = CEILING HEIGHT  
 DIM R = DOOR HEIGHT  
 DIM S = DIM R + 12  
 DIM B = DIM Q - (DIM R + 87)  
 DIM E = DIM B + 20



© COPYRIGHT & DESIGN 2009 PROPERTY OF  
 KOMFORT WORKSPACE Plc  
 WHITTLE WAY, CRAWLEY, WEST SUSSEX, RH10 9RT  
 TEL : 01293 592500 WEB www.komfort.com  
 DO NOT SCALE IF IN DOUBT ASK

ISSUE	DESCRIPTION OF CHANGE	DATE	TITLE	ISSUE
MATERIAL :		30:09:09	DOUBLE GLAZED POLAR	2
FINISH :		DRAWN SSG	GLAZED ABOVE GLASS DOOR USING KOMFIRE	
		CHKD BJP	75 DOOR FRAME (816) VERTICAL DETAIL	
		SCALE 1:1	DRAWING No 14047	

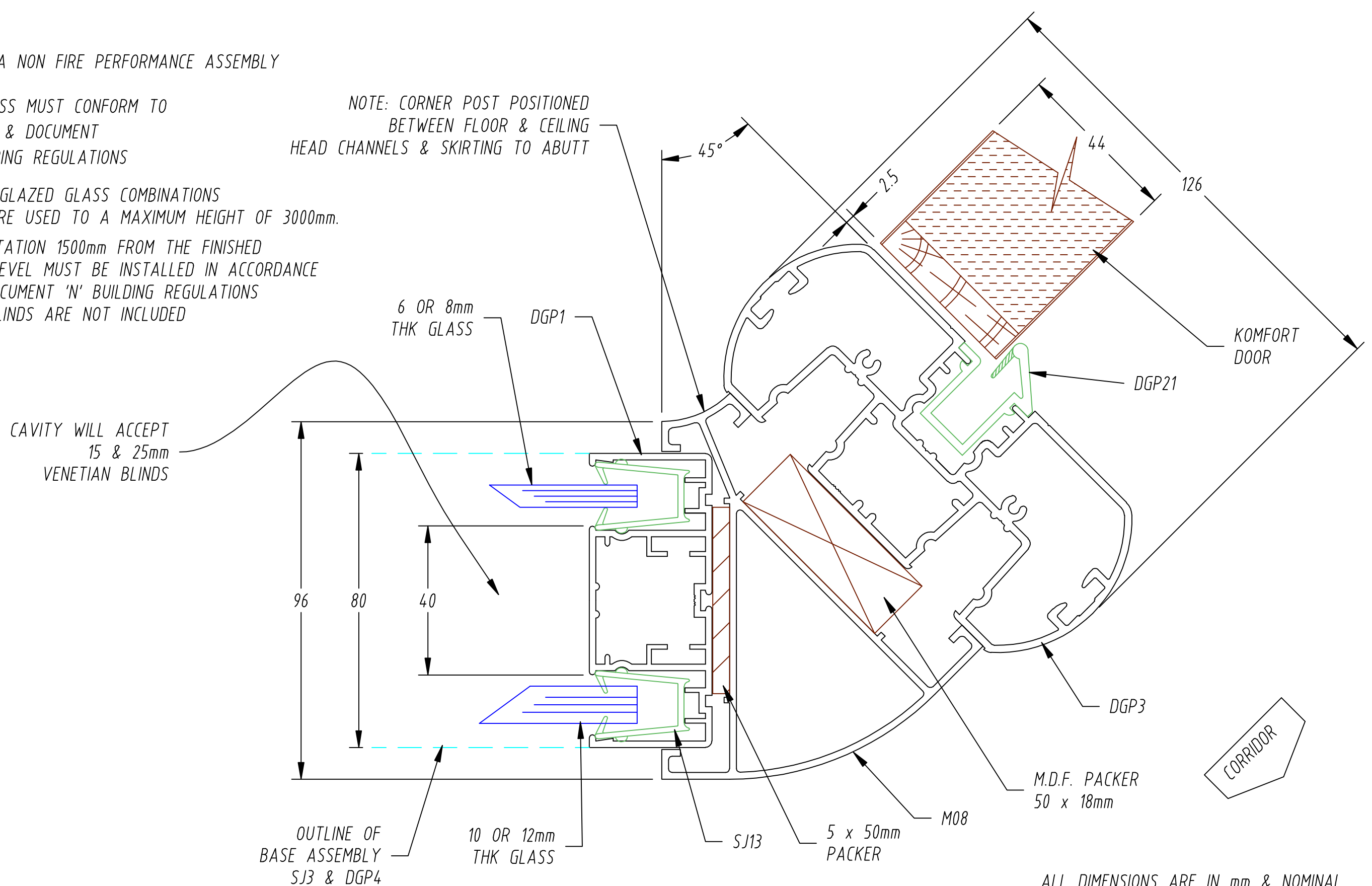
THIS IS A NON FIRE PERFORMANCE ASSEMBLY

ALL GLASS MUST CONFORM TO  
BS 6262 & DOCUMENT  
'N' BUILDING REGULATIONS

DOUBLE GLAZED GLASS COMBINATIONS  
GIVEN ARE USED TO A MAXIMUM HEIGHT OF 3000mm.

MANIFESTATION 1500mm FROM THE FINISHED  
FLOOR LEVEL MUST BE INSTALLED IN ACCORDANCE  
WITH DOCUMENT 'N' BUILDING REGULATIONS  
WHEN BLINDS ARE NOT INCLUDED

NOTE: CORNER POST POSITIONED  
BETWEEN FLOOR & CEILING  
HEAD CHANNELS & SKIRTING TO ABUTT



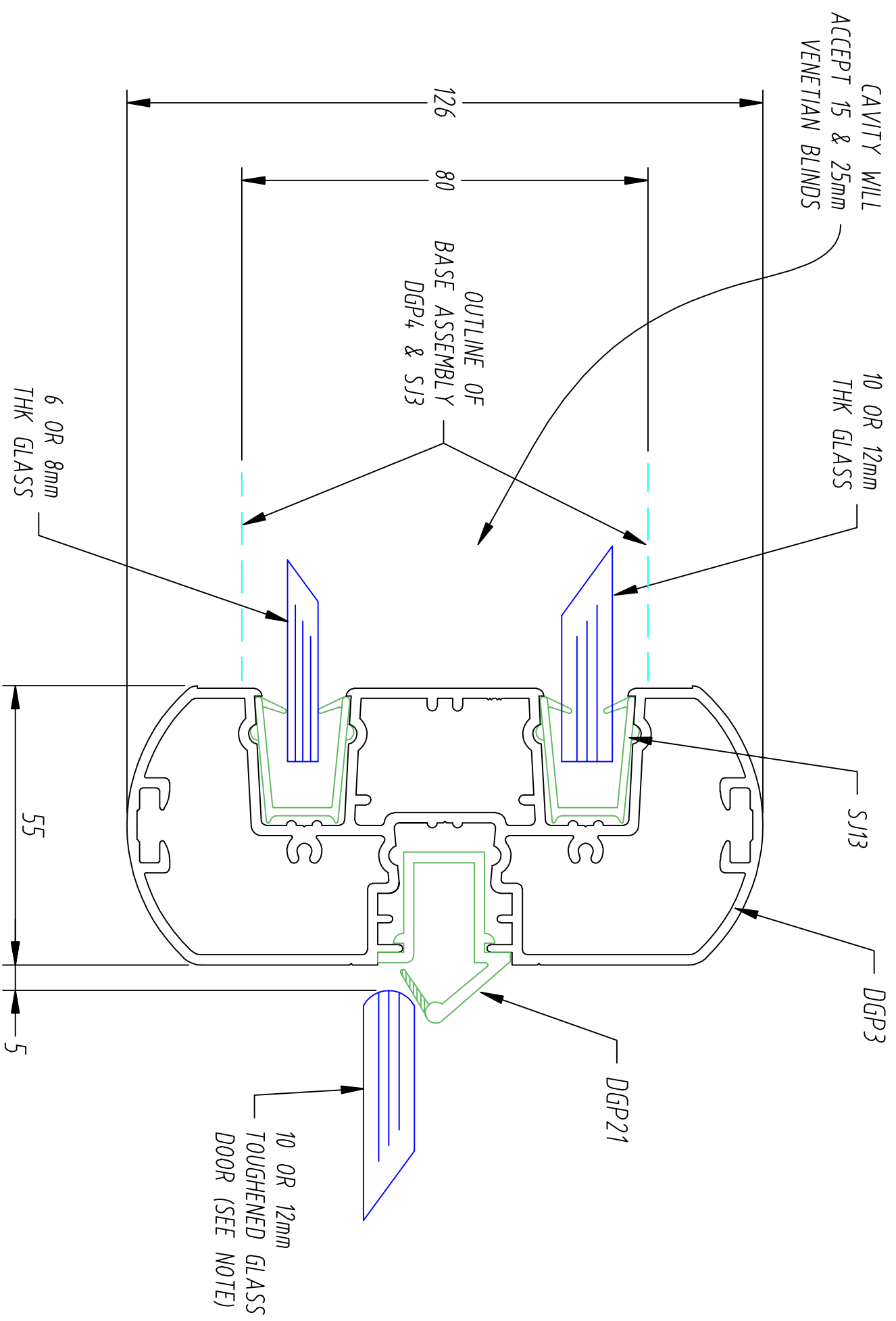
ALL DIMENSIONS ARE IN mm & NOMINAL



© COPYRIGHT & DESIGN 2009 PROPERTY OF  
KOMFORT WORKSPACE Plc  
WHITTLE WAY, CRAWLEY, WEST SUSSEX, RH10 9RT  
TEL : 01293 592500 WEB www.komfort.com  
DO NOT SCALE IF IN DOUBT ASK

DATE	30.09.09	TITLE	135° RADIUS CORNER DOUBLE GLAZED POLAR	
ISSUE		DRAWN	SSG	
MATERIAL :		CHKD	BJP	DRAWING No
FINISH :		SCALE	1:1	14046
				ISSUE
				2

CORRIDOR



THIS IS A NON FIRE PERFORMANCE ASSEMBLY

ALL GLASS MUST CONFORM TO  
BS 6262 & DOCUMENT  
'N' BUILDING REGULATIONS

DOUBLE GLAZED GLASS COMBINATIONS  
GIVEN ARE USED TO A MAXIMUM HEIGHT OF 3000mm.

MANIFESTATION 1500mm FROM THE FINISHED  
FLOOR LEVEL MUST BE INSTALLED IN ACCORDANCE  
WITH DOCUMENT 'N' BUILDING REGULATIONS  
WHEN BLINDS ARE NOT INCLUDED IN PARTITION  
AND SUBJECT TO IRONMONGERY INSTALLED  
MAY BE REQUIRED TO GLASS DOOR

ALL DIMENSIONS ARE IN mm & NOMINAL

© COPYRIGHT & DESIGN 2009 PROPERTY OF

KOMFORT WORKSPACE Plc  
WHITTLE WAY, CRAWLEY, WEST SUSSEX, RH10 9RT  
TEL : 01293 592500 WEB www.komfort.com



DO NOT SCALE IF IN DOUBT ASK

ISSUE	DESCRIPTION OF CHANGE	DATE	TITLE	ISSUE
		30:09:09	DOUBLE GLAZED POLAR GLASS DOOR / (POLAR FRAME) TO GLAZED DETAIL	3
MATERIAL :		CHKD	DRAWING No	
FINISH :		BJP	14045	
		SCALE	1:1	

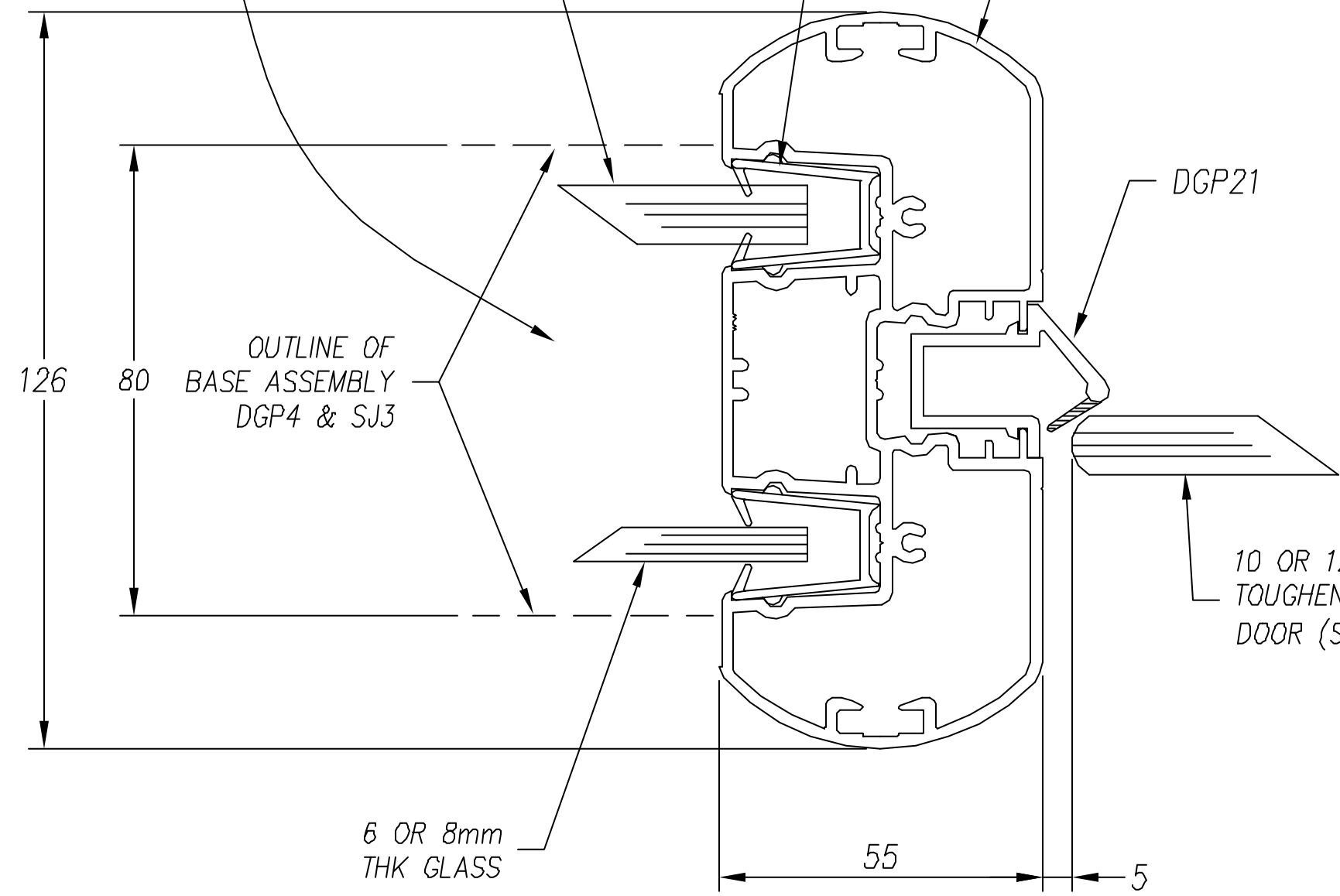
CORRIDOR

CAVITY WILL ACCEPT 15 & 25mm VENETIAN BLINDS

10 OR 12mm THK GLASS

SJ13

DGP3



10 OR 12mm TOUGHENED GLASS DOOR (SEE NOTE)

THIS IS A NON FIRE PERFORMANCE ASSEMBLY

ALL GLASS MUST CONFORM TO BS 6262 & DOCUMENT 'N' BUILDING REGULATIONS

DOUBLE GLAZED GLASS COMBINATIONS GIVEN ARE USED TO A MAXIMUM HEIGHT OF 3000mm.

MANIFESTATION 1500mm FROM THE FINISHED FLOOR LEVEL MUST BE INSTALLED IN ACCORDANCE WITH DOCUMENT 'N' BUILDING REGULATIONS WHEN BLINDS ARE NOT INCLUDED IN PARTITION AND SUBJECT TO IRONMONGERY INSTALLED MAY BE REQUIRED TO GLASS DOOR

ALL DIMENSIONS ARE IN mm & NOMINAL



HEAD OFFICE  
WHITTLE WAY CRAWLEY  
WEST SUSSEX RH10 9RT  
TEL : 01293 592500  
FAX : 01293 549351

© COPYRIGHT & DESIGN 2000  
PROPERTY OF  
KOMFORT OFFICE ENVIRONMENTS Plc  
DO NOT SCALE IF IN DOUBT ASK

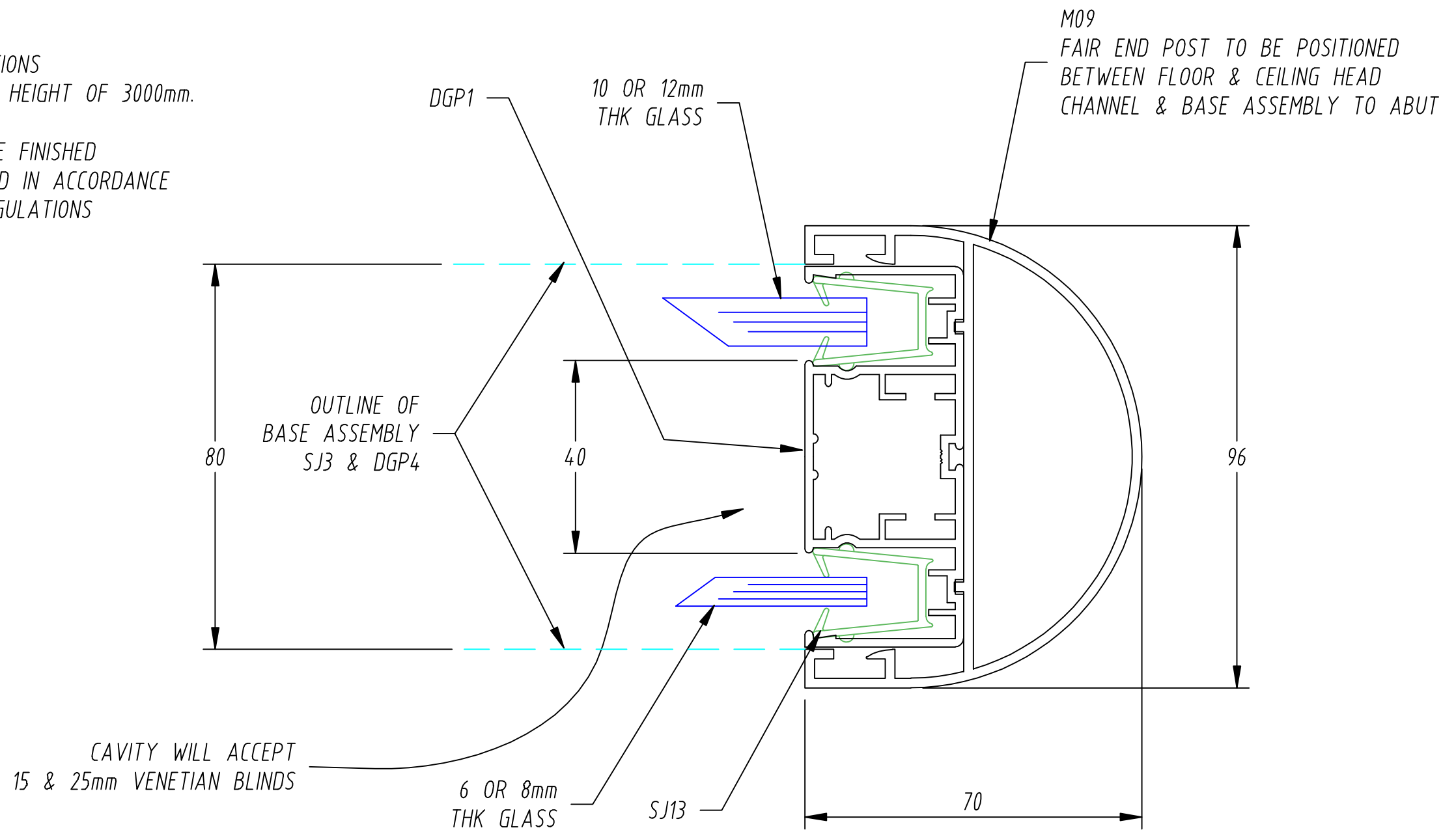
2	GEN REVISION	DATE	17:08:00	TITLE GLASS DOOR / (POLAR FRAME) TO GLAZED DETAIL
ISSUE	DESCRIPTION OF CHANGE	DRAWN	SSG	
MATERIAL :		CHKD		DRAWING No
FINISH :		SCALE	1:1	14045
				ISSUE
				2

THIS IS A NON FIRE PERFORMANCE ASSEMBLY

ALL GLASS MUST CONFORM TO  
BS 6262 & DOCUMENT  
'N' BUILDING REGULATIONS

DOUBLE GLAZED GLASS COMBINATIONS  
GIVEN ARE USED TO A MAXIMUM HEIGHT OF 3000mm.

MANIFESTATION 1500mm FROM THE FINISHED  
FLOOR LEVEL MUST BE INSTALLED IN ACCORDANCE  
WITH DOCUMENT 'N' BUILDING REGULATIONS  
WHEN BLINDS ARE NOT INCLUDED

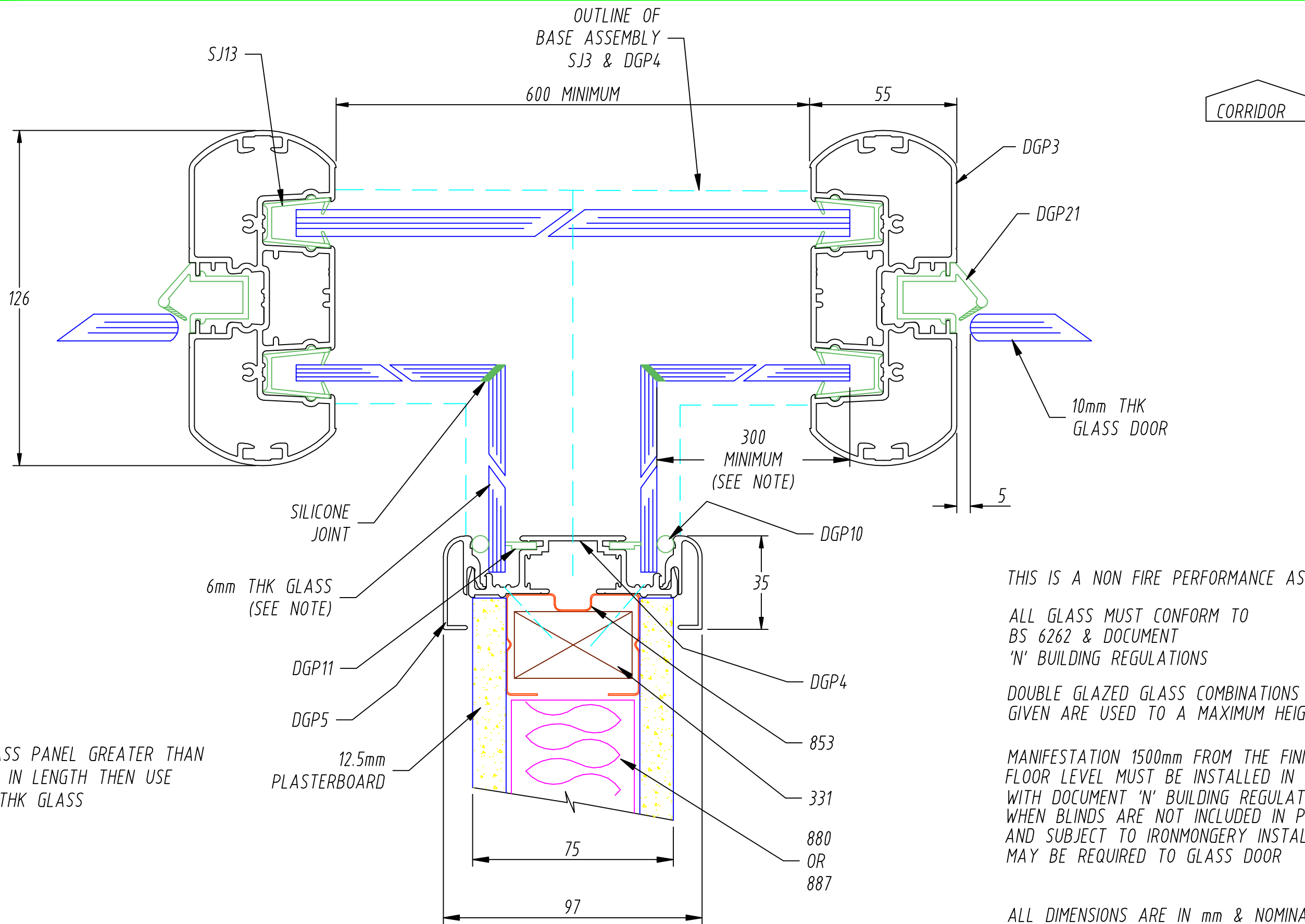


ALL DIMENSIONS ARE IN mm & NOMINAL



© COPYRIGHT & DESIGN 2009 PROPERTY OF  
KOMFORT WORKSPACE Plc  
WHITTLE WAY, CRAWLEY, WEST SUSSEX, RH10 9RT  
TEL : 01293 592500 WEB www.komfort.com  
DO NOT SCALE IF IN DOUBT ASK

		DATE	30:09:09	TITLE	RADIUSED DOUBLE GLAZED FAIR END	
ISSUE	DESCRIPTION OF CHANGE	DRAWN	SSG			
MATERIAL :		CHKD	BJP	DRAWING No		ISSUE
FINISH :		SCALE	1:1	14044		2



NOTE:  
IF GLASS PANEL GREATER THAN  
300mm IN LENGTH THEN USE  
10mm THK GLASS

THIS IS A NON FIRE PERFORMANCE ASSEMBLY

ALL GLASS MUST CONFORM TO  
BS 6262 & DOCUMENT  
'N' BUILDING REGULATIONS

DOUBLE GLAZED GLASS COMBINATIONS  
GIVEN ARE USED TO A MAXIMUM HEIGHT OF 3000mm.

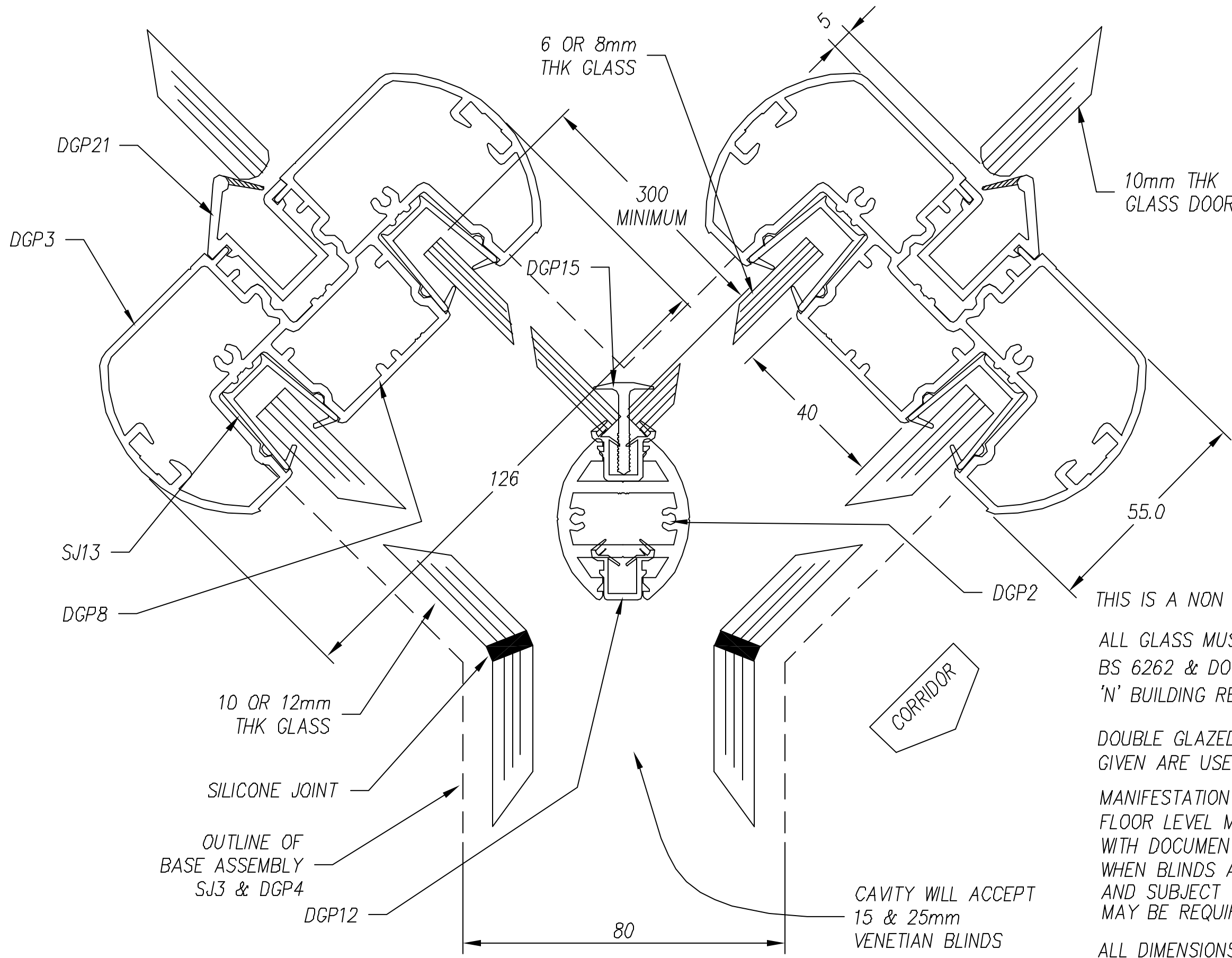
MANIFESTATION 1500mm FROM THE FINISHED  
FLOOR LEVEL MUST BE INSTALLED IN ACCORDANCE  
WITH DOCUMENT 'N' BUILDING REGULATIONS  
WHEN BLINDS ARE NOT INCLUDED IN PARTITION  
AND SUBJECT TO IRONMONGERY INSTALLED  
MAY BE REQUIRED TO GLASS DOOR

ALL DIMENSIONS ARE IN mm & NOMINAL



© COPYRIGHT & DESIGN 2009 PROPERTY OF  
KOMFORT WORKSPACE Plc  
WHITTLE WAY, CRAWLEY, WEST SUSSEX, RH10 9RT  
TEL : 01293 592500 WEB www.komfort.com  
DO NOT SCALE IF IN DOUBT ASK

DATE	30:09:09	TITLE	3 WAY JUNCTION GLASS DOOR / SOLID / GLASS DOOR (POLAR FRAME)	ISSUE	3
ISSUE		DRAWN	SSG		
MATERIAL :		CHKD	BJP	DRAWING No	14043
FINISH :		SCALE	NTS		



THIS IS A NON FIRE PERFORMANCE ASSEMBLY  
 ALL GLASS MUST CONFORM TO  
 BS 6262 & DOCUMENT  
 'N' BUILDING REGULATIONS  
 DOUBLE GLAZED GLASS COMBINATIONS  
 GIVEN ARE USED TO A MAXIMUM HEIGHT OF 3000mm.  
 MANIFESTATION 1500mm FROM THE FINISHED  
 FLOOR LEVEL MUST BE INSTALLED IN ACCORDANCE  
 WITH DOCUMENT 'N' BUILDING REGULATIONS  
 WHEN BLINDS ARE NOT INCLUDED IN PARTITION  
 AND SUBJECT TO IRONMONGERY INSTALLED  
 MAY BE REQUIRED TO GLASS DOOR  
 ALL DIMENSIONS ARE IN mm & NOMINAL



HEAD OFFICE  
 WHITTLE WAY CRAWLEY  
 WEST SUSSEX RH10 9RT  
 TEL : 01293 592500  
 FAX : 01293 549351

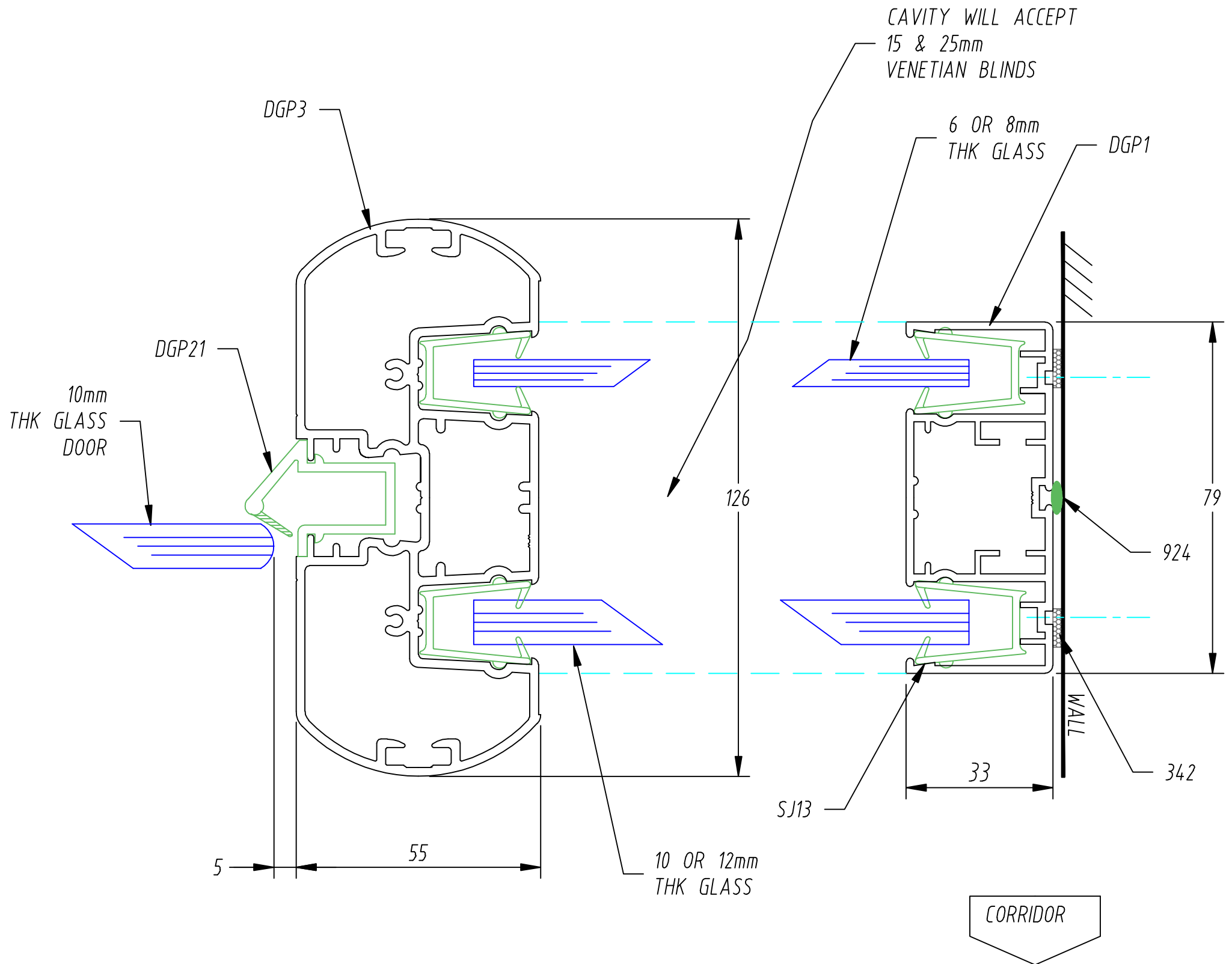
© COPYRIGHT & DESIGN 2000  
 PROPERTY OF  
 KOMFORT OFFICE ENVIRONMENTS Plc  
 DO NOT SCALE IF IN DOUBT ASK

2	GEN REVISION	DATE	17:08:00	TITLE 'Y' JUNCTION GLASS DOOR /GLAZED/ GLASS DOOR (POLAR FRAME)
ISSUE	DESCRIPTION OF CHANGE	DRAWN	SSG	
MATERIAL :		CHKD		DRAWING No
FINISH :		SCALE	1:1	14042
				ISSUE
				2

THIS IS A NON FIRE PERFORMANCE ASSEMBLY

ALL GLASS MUST CONFORM TO  
BS 6262 & DOCUMENT  
'N' BUILDING REGULATIONS

DOUBLE GLAZED GLASS COMBINATIONS  
GIVEN ARE USED TO A MAXIMUM HEIGHT OF 3000mm.



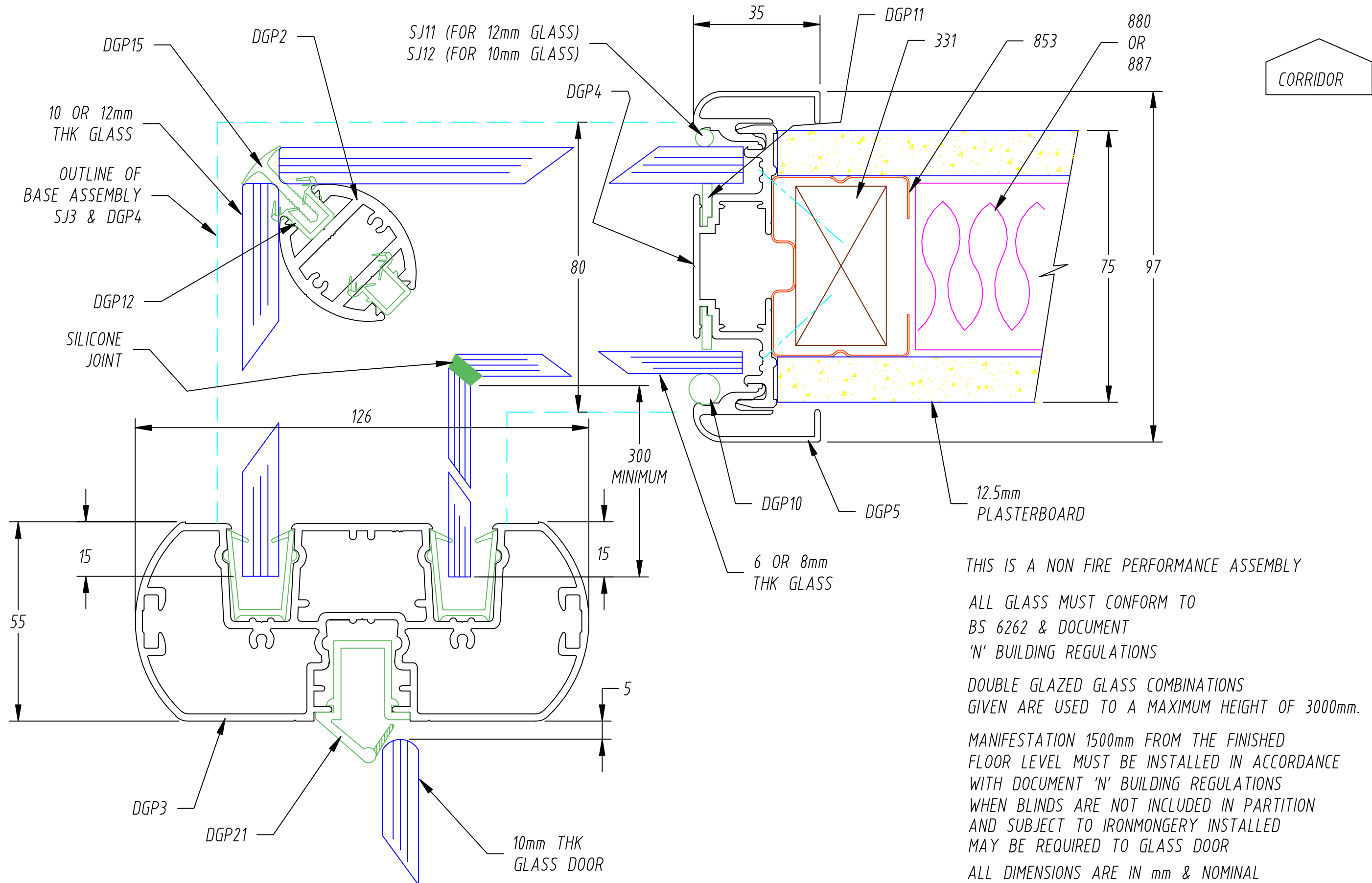
MANIFESTATION 1500mm FROM THE FINISHED  
FLOOR LEVEL MUST BE INSTALLED IN ACCORDANCE  
WITH DOCUMENT 'N' BUILDING REGULATIONS  
WHEN BLINDS ARE NOT INCLUDED IN PARTITION  
AND SUBJECT TO IRONMONGERY INSTALLED  
MAY BE REQUIRED TO GLASS DOOR

ALL DIMENSIONS ARE IN mm & NOMINAL



© COPYRIGHT & DESIGN 2009 PROPERTY OF  
KOMFORT WORKSPACE Plc  
WHITTLE WAY, CRAWLEY, WEST SUSSEX, RH10 9RT  
TEL : 01293 592500 WEB www.komfort.com  
DO NOT SCALE IF IN DOUBT ASK

		DATE	30.09.09	TITLE	ABUTMENT DOUBLE GLAZED TO GLASS DOOR (POLAR DOOR FRAME)
ISSUE	DESCRIPTION OF CHANGE	DRAWN	SSG	DRAWING No	14041
MATERIAL :		CHKD	BJP	ISSUE	3
FINISH :		SCALE	1:1		



THIS IS A NON FIRE PERFORMANCE ASSEMBLY

ALL GLASS MUST CONFORM TO  
BS 6262 & DOCUMENT  
'N' BUILDING REGULATIONS

DOUBLE GLAZED GLASS COMBINATIONS  
GIVEN ARE USED TO A MAXIMUM HEIGHT OF 3000mm.

MANIFESTATION 1500mm FROM THE FINISHED  
FLOOR LEVEL MUST BE INSTALLED IN ACCORDANCE  
WITH DOCUMENT 'N' BUILDING REGULATIONS  
WHEN BLINDS ARE NOT INCLUDED IN PARTITION  
AND SUBJECT TO IRONMONGERY INSTALLED  
MAY BE REQUIRED TO GLASS DOOR

ALL DIMENSIONS ARE IN mm & NOMINAL



© COPYRIGHT & DESIGN 2009 PROPERTY OF  
KOMFORT WORKSPACE Plc  
WHITTLE WAY, CRAWLEY, WEST SUSSEX, RH10 9RT  
TEL : 01293 592500 WEB www.komfort.com  
DO NOT SCALE IF IN DOUBT ASK

DATE	30:09:09	TITLE	90° CORNER GLASS DOOR (POLAR FRAME) TO GLAZED TO SOLID
ISSUE	DESCRIPTION OF CHANGE	DRAWN	SSG
MATERIAL :		CHKD	BJP
FINISH :		SCALE	1:1
			DRAWING No 14040
			ISSUE 4

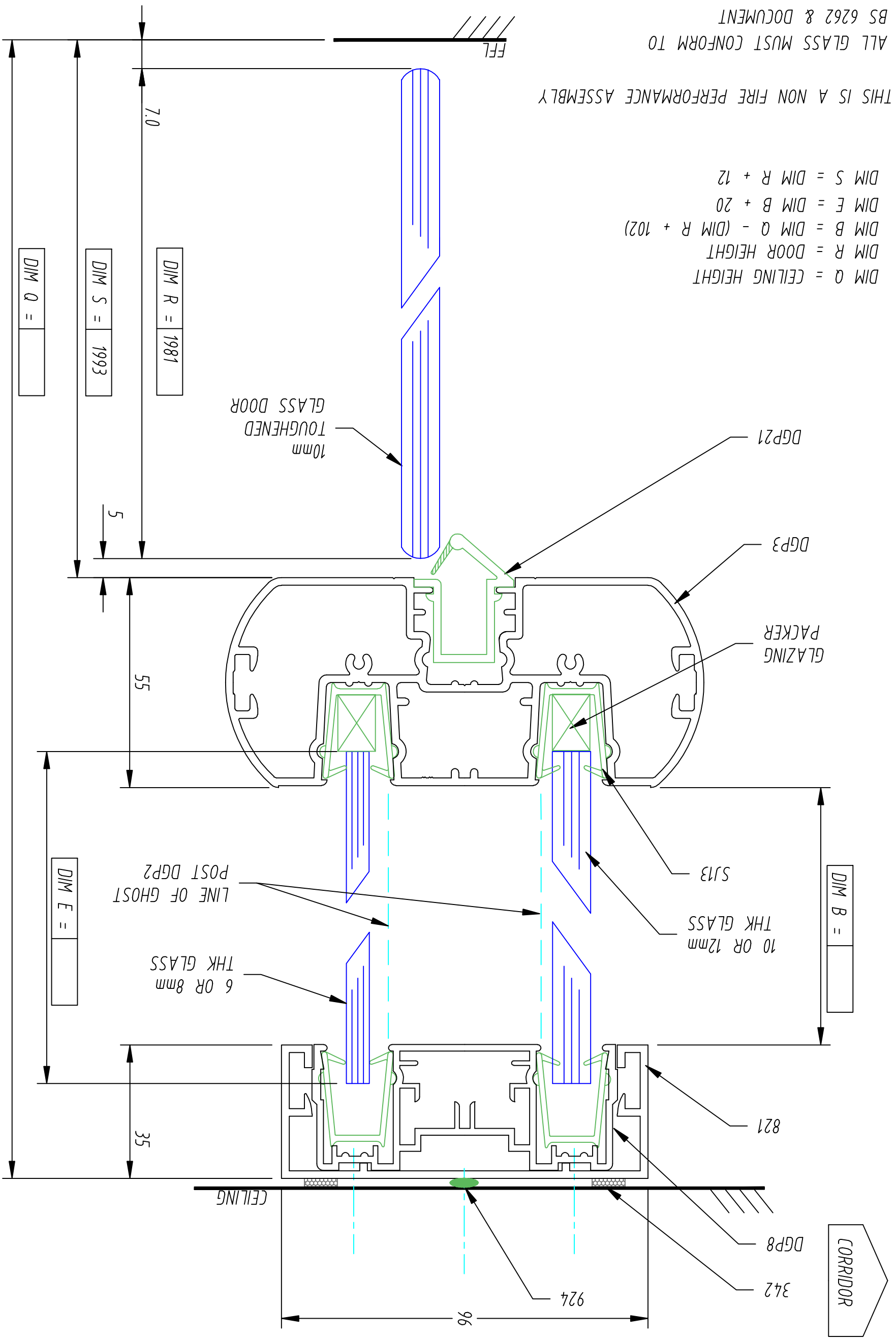
ALL GLASS MUST CONFORM TO BS 6262 & DOCUMENT 'N' BUILDING REGULATIONS

THIS IS A NON FIRE PERFORMANCE ASSEMBLY

DIM Q = CEILING HEIGHT  
 DIM R = DOOR HEIGHT  
 DIM B = DIM Q - (DIM R + 102)  
 DIM E = DIM B + 20  
 DIM S = DIM R + 12

SUBJECT TO SIZE OF IRONMONGERY INSTALLED  
 MANIFESTATION 1500mm FROM THE FINISHED FLOOR LEVEL MAY NEED TO BE INSTALLED IN ACCORDANCE WITH DOCUMENT 'N' BUILDING REGULATIONS

METHOD OF BUILD  
 IF PROGRESSIVE BUILD FIX FRAME INTO POSITION & SLIDE GLASS IN FROM ONE END  
 IF NOT PROGRESSIVE BUILD THEN TILT GLASS INTO HEAD CHANNEL AND LOWER INTO DOOR FRAME HEAD.



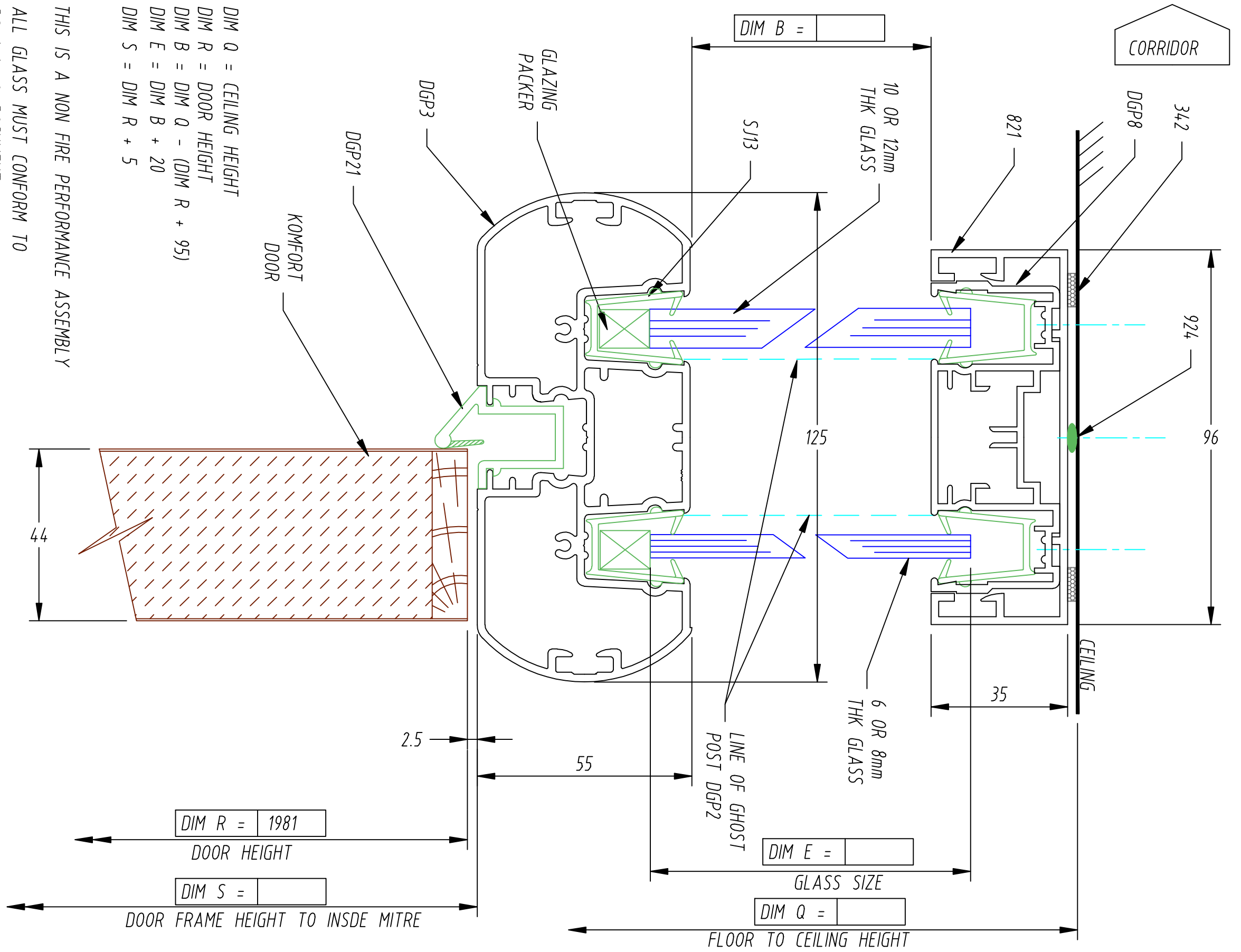
© COPYRIGHT & DESIGN 2009 PROPERTY OF



KOMFORT WORKSPACE Plc  
 WHITTLE WAY, CRAWLEY, WEST SUSSEX, RH10 9RT  
 TEL : 01293 592500 WEB www.komfort.com

ISSUE	DESCRIPTION OF CHANGE	DATE	DRAWN	CHKD	SCALE	TITLE	DRAWING No	ISSUE
		30.09.09	SSG	BJP	1:1	DOUBLE GLAZED POLAR GLAZED ABOVE GLASS DOOR (POLAR FRAME) VERTICAL DETAIL	14039	2

DO NOT SCALE IF IN DOUBT ASK




THIS IS A NON FIRE PERFORMANCE ASSEMBLY  
 ALL GLASS MUST CONFORM TO  
 BS 6262 & DOCUMENT  
 'N' BUILDING REGULATIONS  
 MANIFESTATION 1500mm FROM THE FINISHED  
 FLOOR LEVEL MUST BE INSTALLED IN ACCORDANCE  
 WITH DOCUMENT 'N' BUILDING REGULATIONS  
 WHEN BLINDS ARE NOT INCLUDED

METHOD OF BUILD  
 IF PROGRESSIVE BUILD FIX FRAME INTO POSISTION  
 & SLIDE GLASS IN FROM ONE END  
 IF NOT PROGRESSIVE BUILD THEN TILT GLASS INTO  
 HEAD CHANNEL AND LOWER INTO DOOR FRAME HEAD.

FIX DOOR FRAME LEGS TO FLOOR USING 859 BRACKETS  
 DGP1 FLOOR ASSEMBLY WILL HAVE TO BE  
 BE NOTCHED ON SITE TO ACCEPT BRACKETS

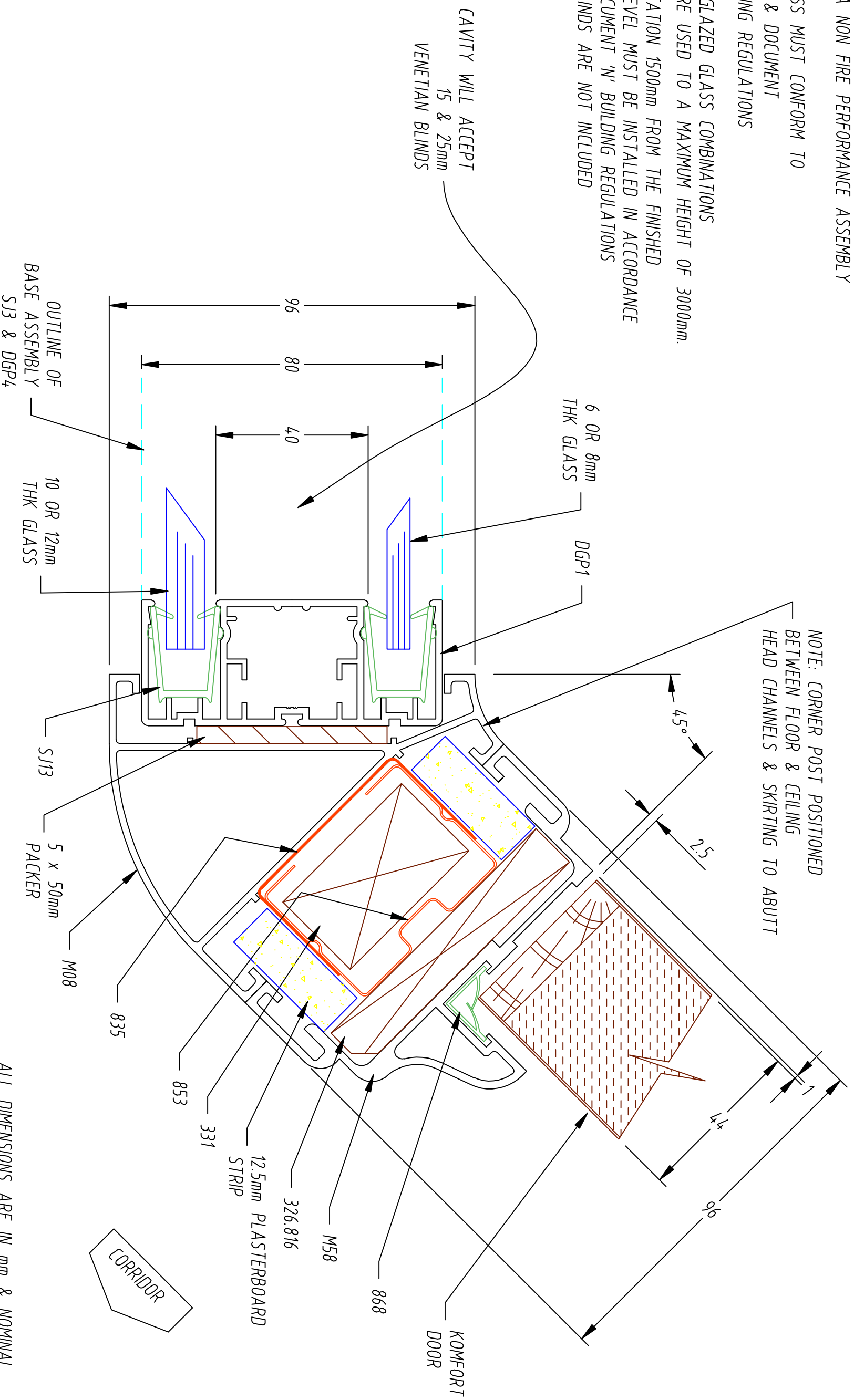
ALL DIMENSIONS ARE IN mm & NOMINAL

	© COPYRIGHT & DESIGN 2006 PROPERTY OF KOMFORT WORKSPACE Plc WHITTLE WAY, CRAWLEY, WEST SUSSEX, RH10 9RT TEL : 01293 592500 WEB www.komfort.com DO NOT SCALE IF IN DOUBT ASK		DATE 30.09.09 DRAWN SSG CHKD BJP SCALE 2009	TITLE TIMBER DOOR (POLAR FRAME) WITH DOUBLE GLAZED ABOVE VERTICAL DETAIL DRAWING No 14038	ISSUE 2	
			ISSUE DESCRIPTION OF CHANGE			
			MATERIAL :			
			FINISH :			

THIS IS A NON FIRE PERFORMANCE ASSEMBLY

ALL GLASS MUST CONFORM TO  
BS 6262 & DOCUMENT  
'N' BUILDING REGULATIONS

DOUBLE GLAZED GLASS COMBINATIONS  
GIVEN ARE USED TO A MAXIMUM HEIGHT OF 3000mm.  
MANIFESTATION 1500mm FROM THE FINISHED  
FLOOR LEVEL MUST BE INSTALLED IN ACCORDANCE  
WITH DOCUMENT 'N' BUILDING REGULATIONS  
WHEN BLINDS ARE NOT INCLUDED



ALL DIMENSIONS ARE IN mm & NOMINAL

ISSUE	DESCRIPTION OF CHANGE	DATE	DRAWN	SSG	TITLE
		09:11:09			135° RADIUS CORNER DOUBLE GLAZED POLAR TO MIRAGE / KAMEO DOOR FRAME (M58)
MATERIAL :		CHKD	BJP		DRAWING No 14037
FINISH :		SCALE	1:1		ISSUE 2

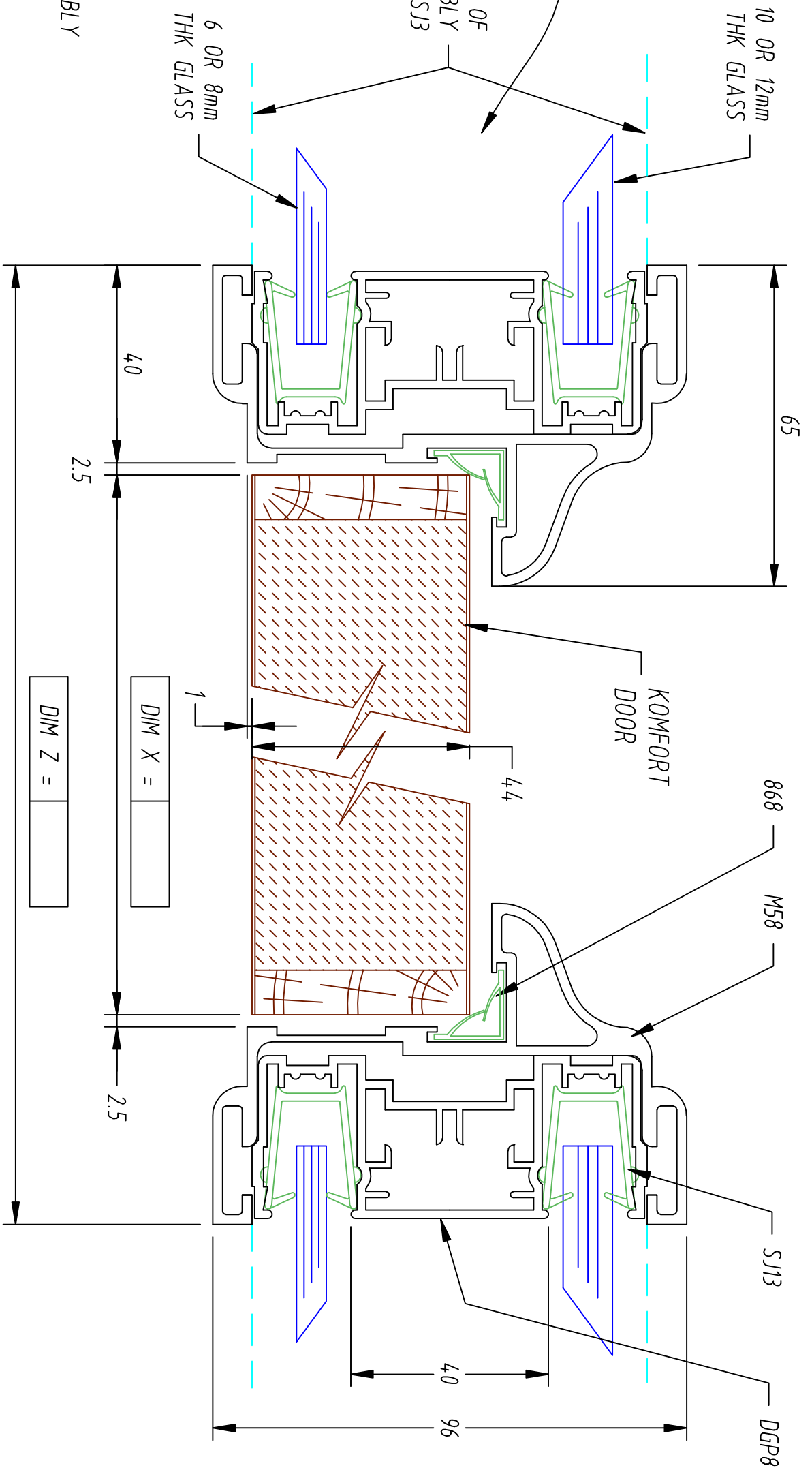
CORRIDOR

CAVITY WILL ACCEPT 15 & 25mm VENETIAN BLINDS

OUTLINE OF BASE ASSEMBLY DGP4 & SJ3

10 OR 12mm THK GLASS

6 OR 8mm THK GLASS



THIS IS A NON FIRE PERFORMANCE ASSEMBLY

ALL GLASS MUST CONFORM TO BS 6262 & DOCUMENT 'N' BUILDING REGULATIONS

DOUBLE GLAZED GLASS COMBINATIONS GIVEN ARE USED TO A MAXIMUM HEIGHT OF 3000mm.

MANIFESTATION 1500mm FROM THE FINISHED FLOOR LEVEL MUST BE INSTALLED IN ACCORDANCE WITH DOCUMENT 'N' BUILDING REGULATIONS WHEN BLINDS ARE NOT INCLUDED

ALL DIMENSIONS ARE IN mm & NOMINAL

\* INCLUDES 2mm GAP BETWEEN DOORS

TYPE	DOOR WIDTH	DISTANCE BETWEEN DGP4 & SJ3 BASE CHANNEL $Z = X + 85$
SINGLE	X	Z
	762	847
	826 838	911 923
HOSPITAL	1145* ( 1 1/2 x 762 )	1230
	1259* ( 1 1/2 x 838 )	1342
DOUBLE	1526* ( 2 x 762 )	1611
	1678* ( 2 x 838 )	1763

© COPYRIGHT & DESIGN 2009 PROPERTY OF



KOMFORT WORKSPACE Plc  
WHITTLE WAY, CRAWLEY, WEST SUSSEX, RH10 9RT  
TEL : 01293 592500 WEB www.komfort.com

ISSUE	DESCRIPTION OF CHANGE	DATE	DRAWN	SSG	TITLE
MATERIAL :		09:11:09	CHKD	BJP	DOUBLE GLAZED POLAR TIMBER DOOR MODULE USING MIRAGE DOOR FRAME (M58) HORIZONTAL SECTION
FINISH :			SCALE	1:1	DRAWING No 14036

ISSUE 2

DO NOT SCALE IF IN DOUBT ASK

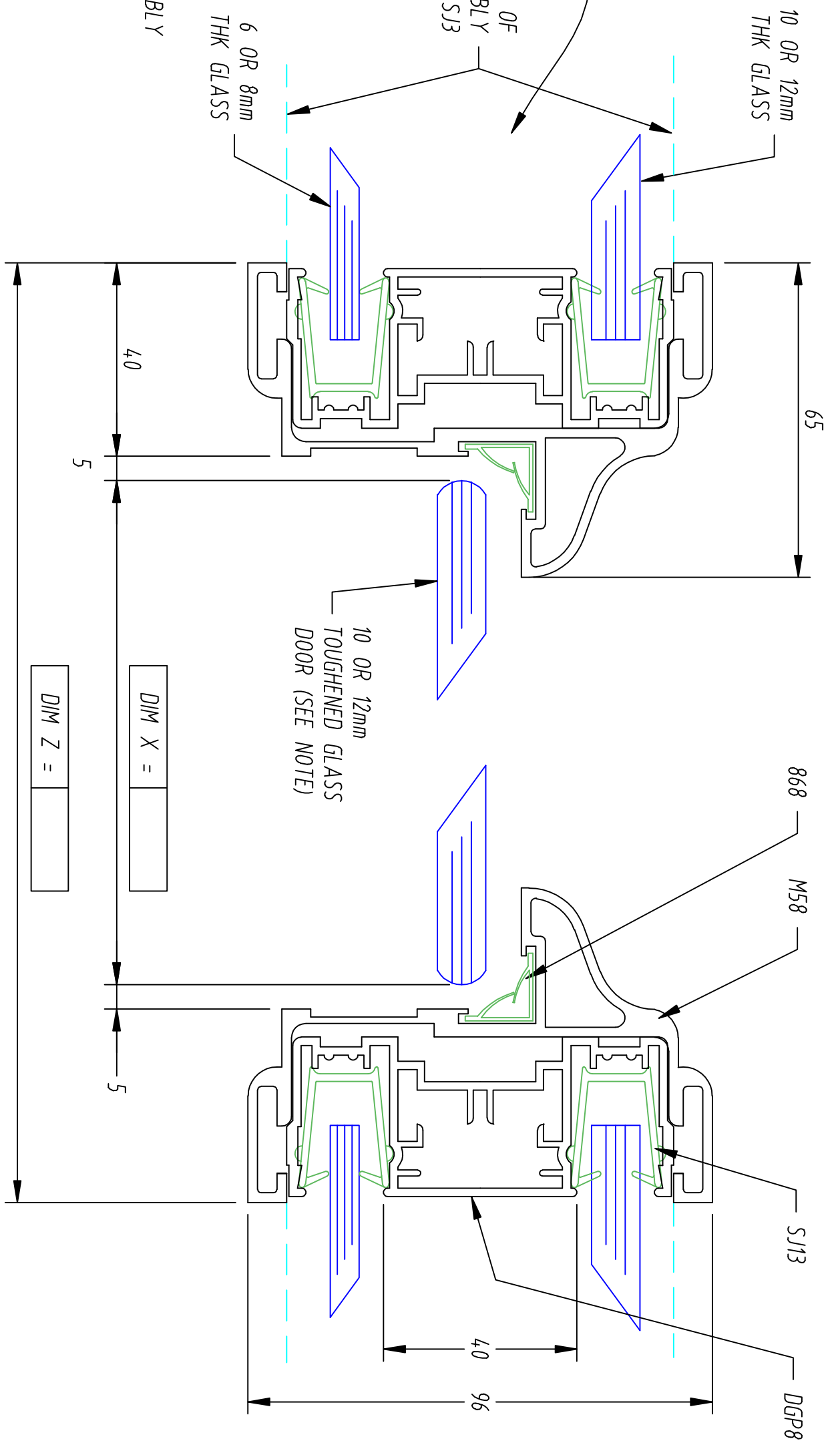
CORRIDOR

CAVITY WILL ACCEPT 15 & 25mm VENETIAN BLINDS

OUTLINE OF BASE ASSEMBLY DGP4 & SJ3

10 OR 12mm THK GLASS

6 OR 8mm THK GLASS



DIM X = [ ]  
 DIM Z = [ ]

12mm GLASS DOOR USED TO A MAXIMUM HEIGHT OF 3000mm  
 10mm GLASS DOOR USED TO A MAXIMUM HEIGHT OF 2440mm

DOOR WIDTH DIM X	DISTANCE BETWEEN DGP4 & SJ3 BASE CHANNEL DIM Z
835 (SINGLE)	925

THIS IS A NON FIRE PERFORMANCE ASSEMBLY  
 ALL GLASS MUST CONFORM TO BS 6262 & DOCUMENT 'N' BUILDING REGULATIONS  
 DOUBLE GLAZED GLASS COMBINATIONS GIVEN ARE USED TO A MAXIMUM HEIGHT OF 3000mm.  
 MANIFESTATION 1500mm FROM THE FINISHED FLOOR LEVEL MUST BE INSTALLED IN ACCORDANCE WITH DOCUMENT 'N' BUILDING REGULATIONS  
 WHEN BLINDS ARE NOT INCLUDED IN PARTITION AND SUBJECT TO IRONMONGERY INSTALLED MAY BE REQUIRED TO GLASS DOOR  
 ALL DIMENSIONS ARE IN mm & NOMINAL

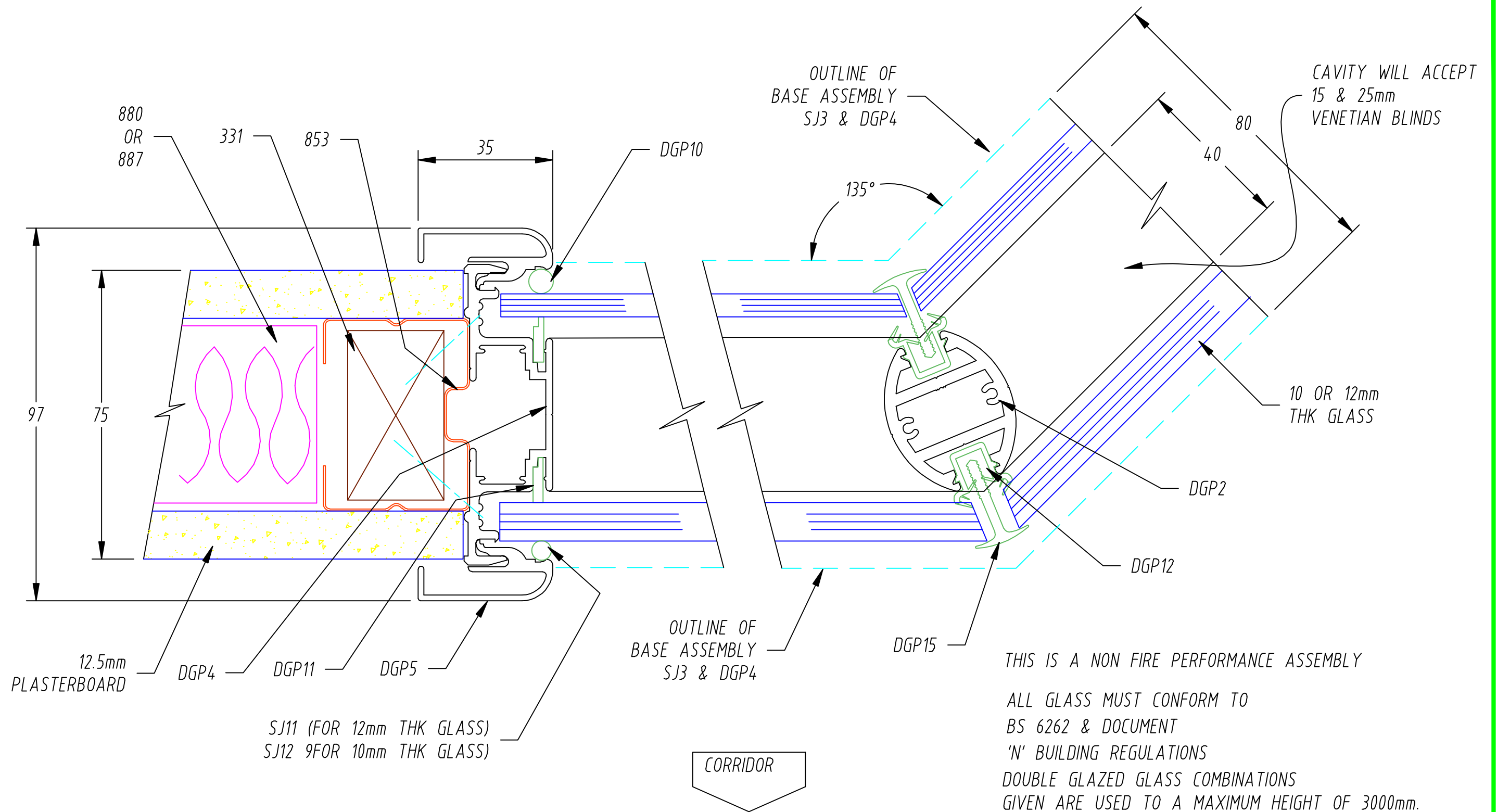
© COPYRIGHT & DESIGN 2009 PROPERTY OF



KOMFORT WORKSPACE Plc  
 WHITTLE WAY, CRAWLEY, WEST SUSSEX, RH10 9RT  
 TEL : 01293 592500 WEB www.komfort.com  
 DO NOT SCALE IF IN DOUBT ASK

3	GEN REVISION	DATE	06:11:09	TITLE	DOUBLE GLAZED POLAR GLASS DOOR MODULE USING MIRAGE DOOR FRAME HORIZONTAL SECTION	ISSUE	3
	ISSUE	DESCRIPTION OF CHANGE	DRAWN	SSG			
	MATERIAL :		CHKD	BJP	DRAWING No		
	FINISH :		SCALE	1:1	14035		





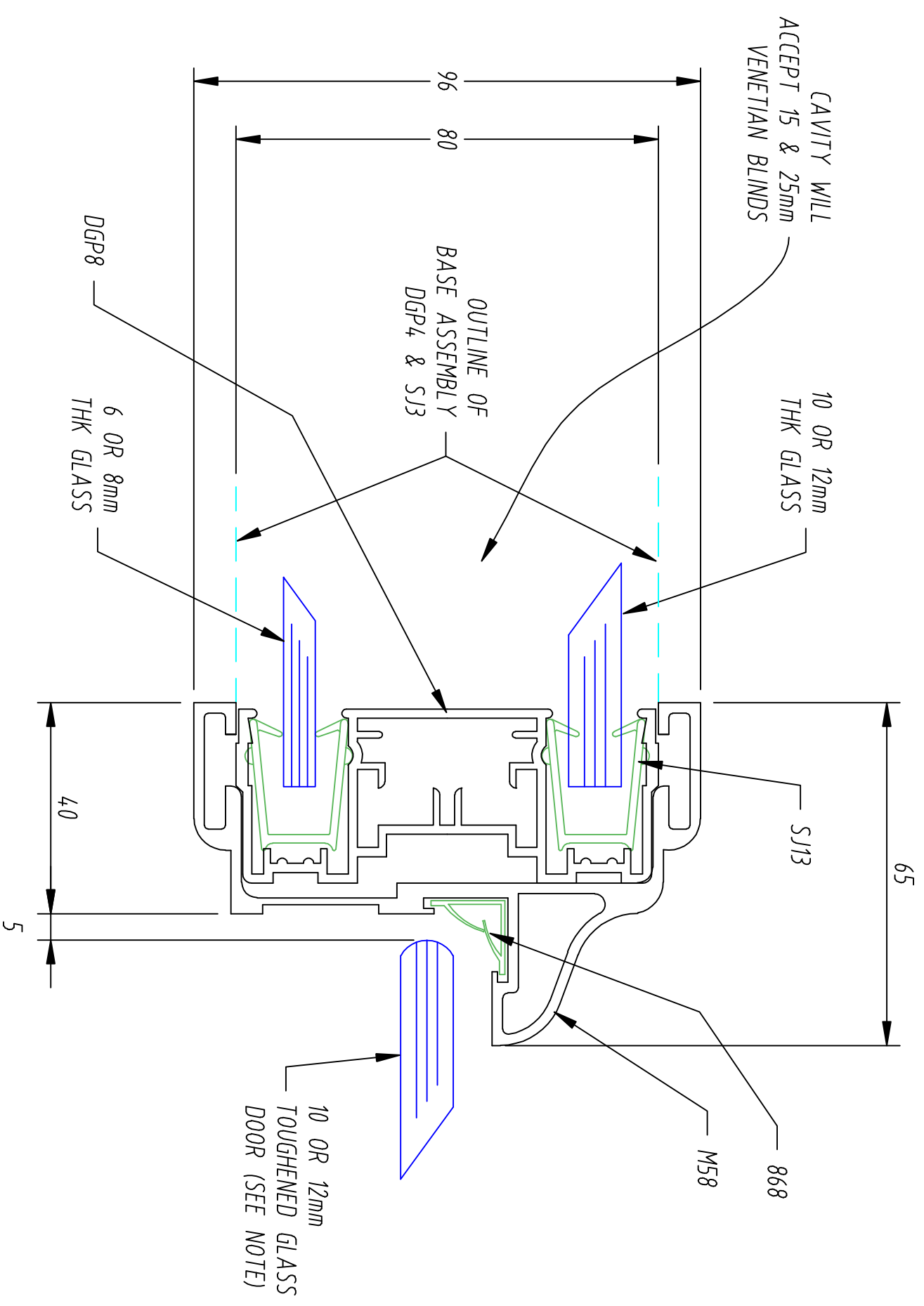
ALL DIMENSIONS ARE IN mm & NOMINAL



© COPYRIGHT & DESIGN 2009 PROPERTY OF  
 KOMFORT WORKSPACE Plc  
 WHITTLE WAY, CRAWLEY, WEST SUSSEX, RH10 9RT  
 TEL : 01293 592500 WEB www.komfort.com  
 DO NOT SCALE IF IN DOUBT ASK

		DATE	30.09.09	TITLE	135° CORNER DOUBLE GLAZED TO SOLID
ISSUE	DESCRIPTION OF CHANGE	DRAWN	SSG		
MATERIAL :		CHKD	BJP	DRAWING No	ISSUE
FINISH :		SCALE	1:1	14033	2

CORRIDOR



THIS IS A NON FIRE PERFORMANCE ASSEMBLY

ALL GLASS MUST CONFORM TO

BS 6262 & DOCUMENT

'N' BUILDING REGULATIONS

DOUBLE GLAZED GLASS COMBINATIONS

GIVEN ARE USED TO A MAXIMUM HEIGHT OF 3000mm.

MANIFESTATION 1500mm FROM THE FINISHED FLOOR LEVEL MUST BE INSTALLED IN ACCORDANCE WITH DOCUMENT 'N' BUILDING REGULATIONS WHEN BLINDS ARE NOT INCLUDED IN PARTITION AND SUBJECT TO IRONMONGERY INSTALLED MAY BE REQUIRED TO GLASS DOOR

ALL DIMENSIONS ARE IN mm & NOMINAL

© COPYRIGHT & DESIGN 2009 PROPERTY OF

KOMFORT WORKSPACE Plc  
WHITTLE WAY, CRAWLEY, WEST SUSSEX, RH10 9RT  
TEL : 01293 592500 WEB www.komfort.com



DO NOT SCALE IF IN DOUBT ASK

ISSUE	DESCRIPTION OF CHANGE	DATE	TITLE	ISSUE
		30:09:09	DOUBLE GLAZED POLAR GLASS DOOR / MIRAGE FRAME TO GLAZED DETAIL	3
		DRAWN SSG		
		CHKD BJP	DRAWING No 14032	
		SCALE 1:1		

THIS IS A NON FIRE PERFORMANCE ASSEMBLY

ALL GLASS MUST CONFORM TO  
BS 6262 & DOCUMENT  
'N' BUILDING REGULATIONS

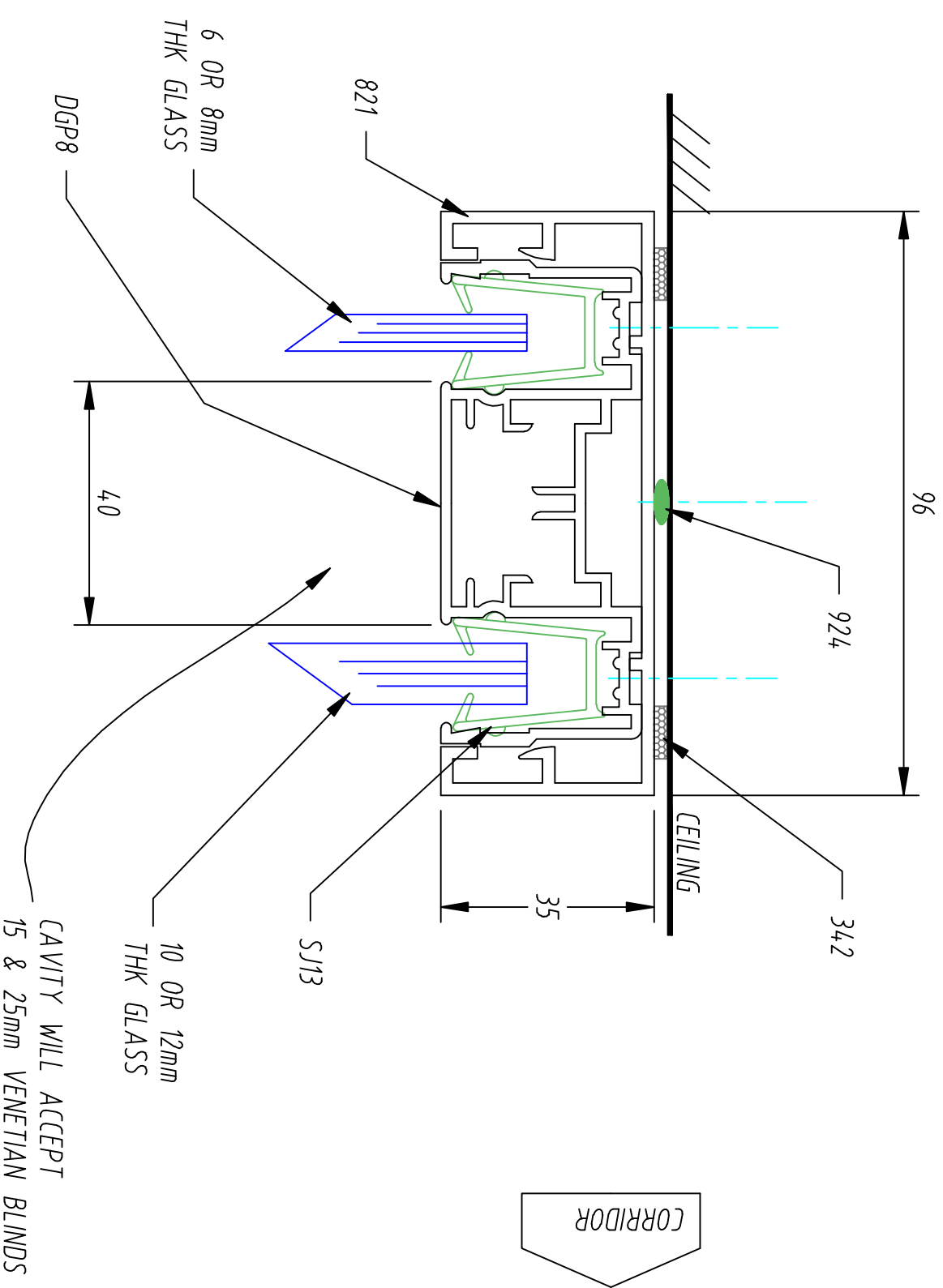
DOUBLE GLAZED GLASS COMBINATIONS  
GIVEN ARE USED TO A MAXIMUM HEIGHT OF 3000mm.

MANIFESTATION 1500mm FROM THE FINISHED  
FLOOR LEVEL MUST BE INSTALLED IN ACCORDANCE  
WITH DOCUMENT 'N' BUILDING REGULATIONS  
WHEN BLINDS ARE NOT INCLUDED

FOR ALTERNATIVE HEAD ASSEMBLY

SEE DETAILS 14004 & 14005

ALL DIMENSIONS ARE IN mm & NOMINAL



© COPYRIGHT & DESIGN 2009 PROPERTY OF

KOMFORT WORKSPACE Plc  
WHITTLE WAY, CRAWLEY, WEST SUSSEX, RH10 9RT  
TEL : 01293 592500 WEB www.komfort.com

DO NOT SCALE IF IN DOUBT ASK



ISSUE	DESCRIPTION OF CHANGE	DATE	TITLE	ISSUE
		30:09:09	DOUBLE GLAZED POLAR	
		DRAWN	DOUBLE GLAZED INTO	
		CHKD	KOMFIRE 75mm HEAD CHANNEL	
		BJP	DRAWING No	
		SCALE	14031	
				3

CORRIDOR

THIS IS A NON FIRE PERFORMANCE ASSEMBLY

ALL GLASS MUST CONFORM TO  
BS 6262 & DOCUMENT  
'N' BUILDING REGULATIONS

DOUBLE GLAZED GLASS COMBINATIONS  
GIVEN ARE USED TO A MAXIMUM HEIGHT OF 3000mm.

MANIFESTATION 1500mm FROM THE FINISHED  
FLOOR LEVEL MUST BE INSTALLED IN ACCORDANCE  
WITH DOCUMENT 'N' BUILDING REGULATIONS  
WHEN BLINDS ARE NOT INCLUDED

ADAPTOR POST DGP4 TO BE POSITIONED  
BETWEEN FLOOR & CEILING HEAD CHANNELS,  
SKIRTING & BASE ASSEMBLY TO ABUT.

CAVITY WILL ACCEPT  
15 & 25mm VENETIAN BLINDS

SJ11 (FOR 12mm GLASS)  
SJ12 (FOR 10mm GLASS)

10 OR 12mm  
THK GLASS

DGP4

40

DGP11

6 OR 8mm  
THK GLASS

DGP10  
(FOR 6 & 8mm GLASS)

326.816

35

331

12.5mm PRE-DECORATED  
PLASTERBOARD

12.5mm  
PLASTERBOARD

100

122

DGP7

853

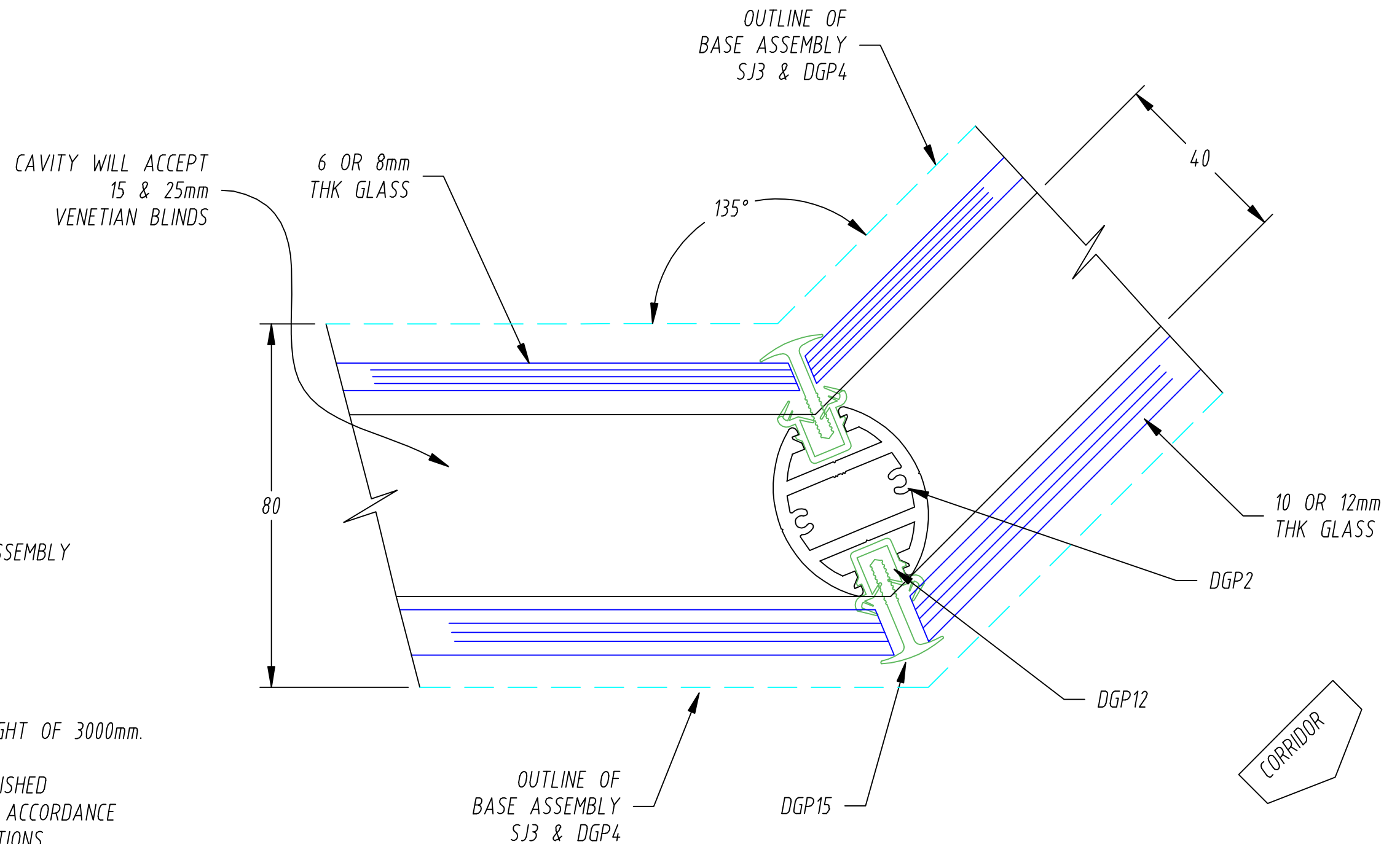
880  
OR  
887

ALL DIMENSIONS ARE IN mm & NOMINAL



© COPYRIGHT & DESIGN 2009 PROPERTY OF  
KOMFORT WORKSPACE Plc  
WHITTLE WAY, CRAWLEY, WEST SUSSEX, RH10 9RT  
TEL : 01293 592500 WEB www.komfort.com  
DO NOT SCALE IF IN DOUBT ASK

		DATE	30.09.09	TITLE	DOUBLE GLAZED TO KOMFIRE 100 SOLID MULLION
ISSUE	DESCRIPTION OF CHANGE	DRAWN	SSG	DRAWING No	14030
MATERIAL :		CHKD	BJP	ISSUE	2
FINISH :		SCALE	1:1		



THIS IS A NON FIRE PERFORMANCE ASSEMBLY

ALL GLASS MUST CONFORM TO  
BS 6262 & DOCUMENT  
'N' BUILDING REGULATIONS

DOUBLE GLAZED GLASS COMBINATIONS  
GIVEN ARE USED TO A MAXIMUM HEIGHT OF 3000mm.

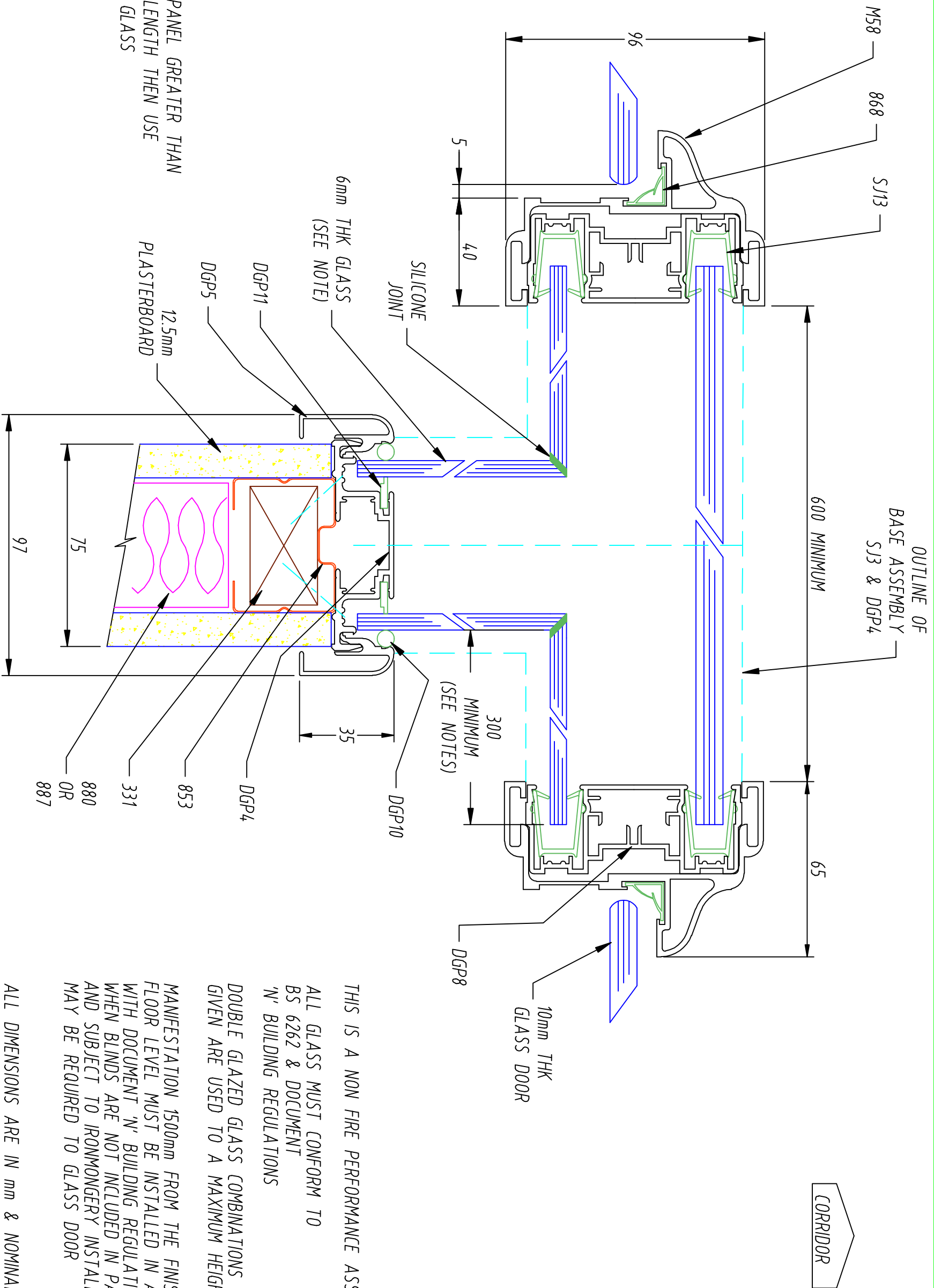
MANIFESTATION 1500mm FROM THE FINISHED  
FLOOR LEVEL MUST BE INSTALLED IN ACCORDANCE  
WITH DOCUMENT 'N' BUILDING REGULATIONS  
WHEN BLINDS ARE NOT INCLUDED

ALL DIMENSIONS ARE IN mm & NOMINAL



© COPYRIGHT & DESIGN 2009 PROPERTY OF  
KOMFORT WORKSPACE Plc  
WHITTLE WAY, CRAWLEY, WEST SUSSEX, RH10 9RT  
TEL : 01293 592500 WEB www.komfort.com  
DO NOT SCALE IF IN DOUBT ASK

		DATE	30:09:09	TITLE	135° CORNER GLAZED TO GLAZED	
ISSUE	DESCRIPTION OF CHANGE	DRAWN	SSG	DRAWING No	14029	
MATERIAL :		CHKD	BJP	ISSUE	2	
FINISH :		SCALE	1:1			

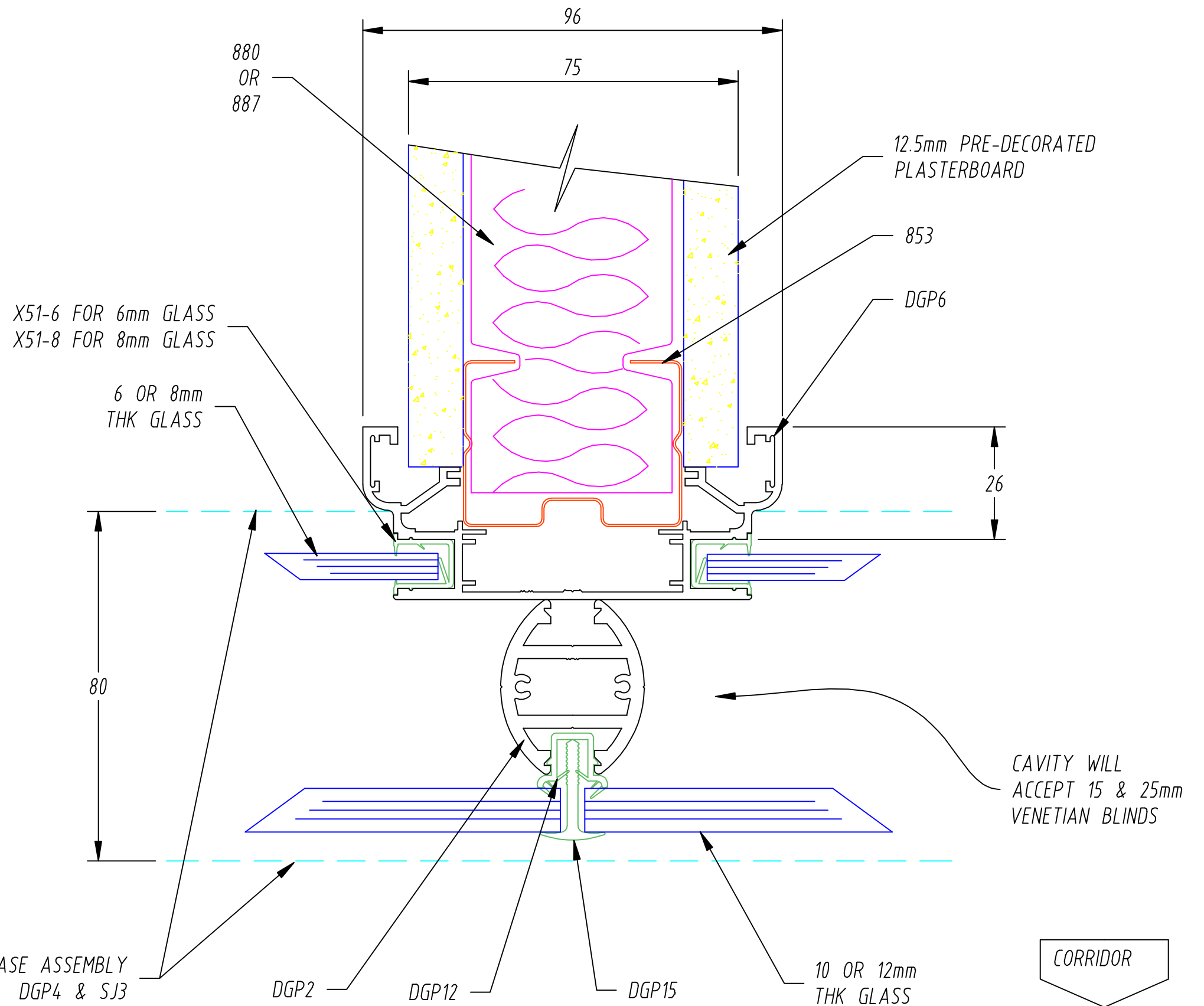


NOTE:  
 IF GLASS PANEL GREATER THAN  
 300mm IN LENGTH THEN USE  
 10mm THK GLASS

THIS IS A NON FIRE PERFORMANCE ASSEMBLY  
 ALL GLASS MUST CONFORM TO  
 BS 6262 & DOCUMENT  
 'N' BUILDING REGULATIONS  
 DOUBLE GLAZED GLASS COMBINATIONS  
 GIVEN ARE USED TO A MAXIMUM HEIGHT OF 3000mm.  
 MANIFESTATION 1500mm FROM THE FINISHED  
 FLOOR LEVEL MUST BE INSTALLED IN ACCORDANCE  
 WITH DOCUMENT 'N' BUILDING REGULATIONS  
 WHEN BLINDS ARE NOT INCLUDED IN PARTITION  
 AND SUBJECT TO IRONMONGERY INSTALLED  
 MAY BE REQUIRED TO GLASS DOOR

ALL DIMENSIONS ARE IN mm & NOMINAL

3	GEN REVISION	DATE	06:11:09	TITLE	3 WAY JUNCTION GLASS DOOR/ SOLID/ GLASS DOOR (MIRAGE FRAME)	ISSUE	3
ISSUE	DESCRIPTION OF CHANGE	DRAWN	SSG				
MATERIAL :		CHKD		DRAWING No	14028		
FINISH :		SCALE					



THIS IS A NON FIRE PERFORMANCE ASSEMBLY

ALL GLASS MUST CONFORM TO  
BS 6262 & DOCUMENT  
'N' BUILDING REGULATIONS

DOUBLE GLAZED GLASS COMBINATIONS  
GIVEN ARE USED TO A MAXIMUM HEIGHT OF 3000mm.

MANIFESTATION 1500mm FROM THE FINISHED  
FLOOR LEVEL MUST BE INSTALLED IN ACCORDANCE  
WITH DOCUMENT 'N' BUILDING REGULATIONS  
WHEN BLINDS ARE NOT INCLUDED

OUTLINE OF BASE ASSEMBLY  
DGP4 & SJ3

ALL DIMENSIONS ARE IN mm & NOMINAL



© COPYRIGHT & DESIGN 2009 PROPERTY OF  
KOMFORT WORKSPACE Plc  
WHITTLE WAY, CRAWLEY, WEST SUSSEX, RH10 9RT  
TEL : 01293 592500 WEB www.komfort.com  
DO NOT SCALE IF IN DOUBT ASK

DATE	30.09.09	TITLE	3 WAY JUNCTION DOUBLE GLAZED / KOMFIRE 75 / DOUBLE GLAZED	
ISSUE	DESCRIPTION OF CHANGE	DRAWN	SSG	DRAWING No
MATERIAL :		CHKD	BJP	14026
FINISH :		SCALE	1:1	ISSUE
				2

THIS IS A NON FIRE PERFORMANCE ASSEMBLY

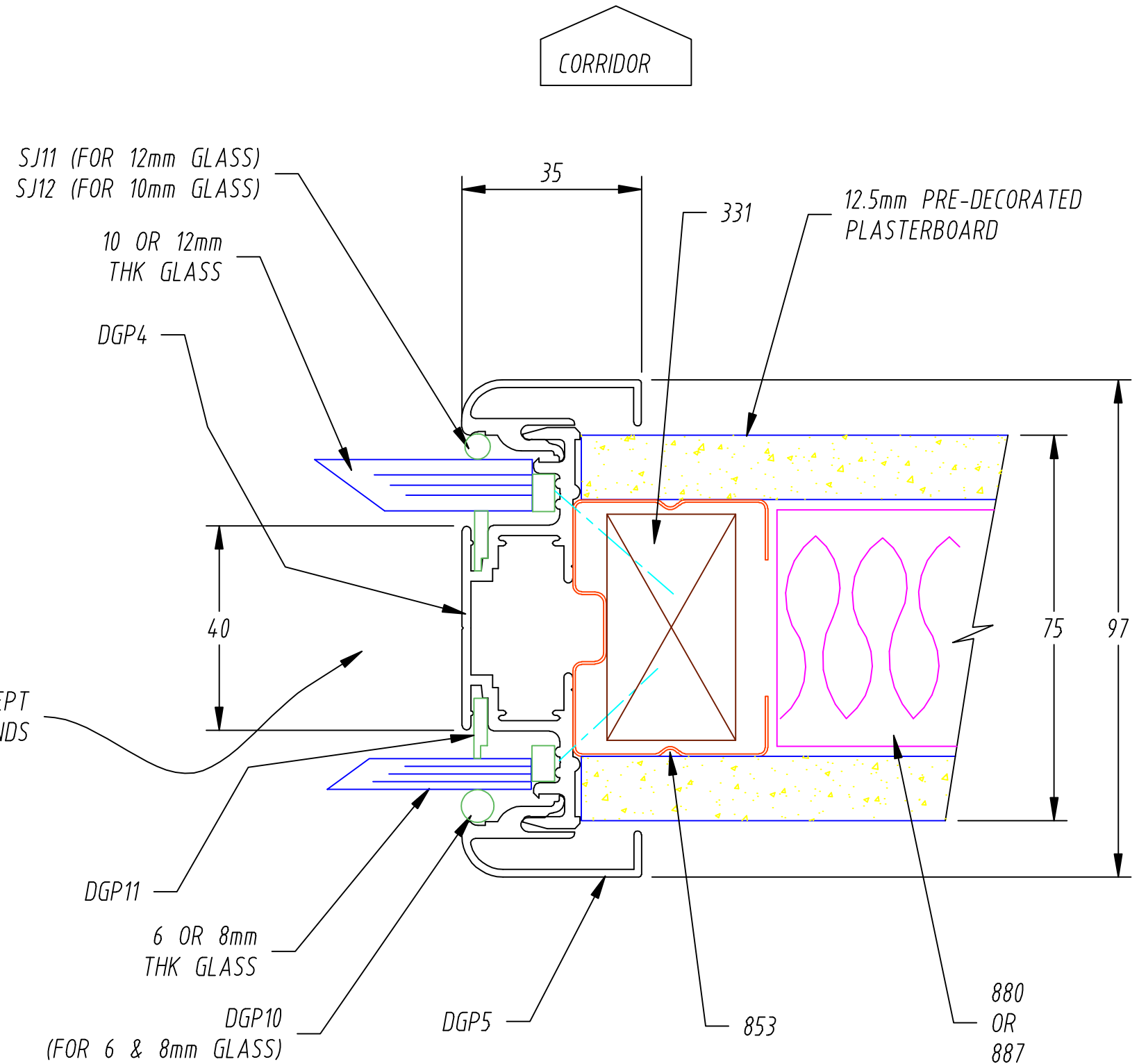
ALL GLASS MUST CONFORM TO  
BS 6262 & DOCUMENT  
'N' BUILDING REGULATIONS

DOUBLE GLAZED GLASS COMBINATIONS  
GIVEN ARE USED TO A MAXIMUM HEIGHT OF 3000mm.

MANIFESTATION 1500mm FROM THE FINISHED  
FLOOR LEVEL MUST BE INSTALLED IN ACCORDANCE  
WITH DOCUMENT 'N' BUILDING REGULATIONS  
WHEN BLINDS ARE NOT INCLUDED

ADAPTOR POST DGP4 POSITIONED  
BETWEEN FLOOR & CEILING HEAD CHANNELS,  
SKIRTING & BASE ASSEMBLY TO ABUT.

CAVITY WILL ACCEPT  
15 & 25mm VENETIAN BLINDS

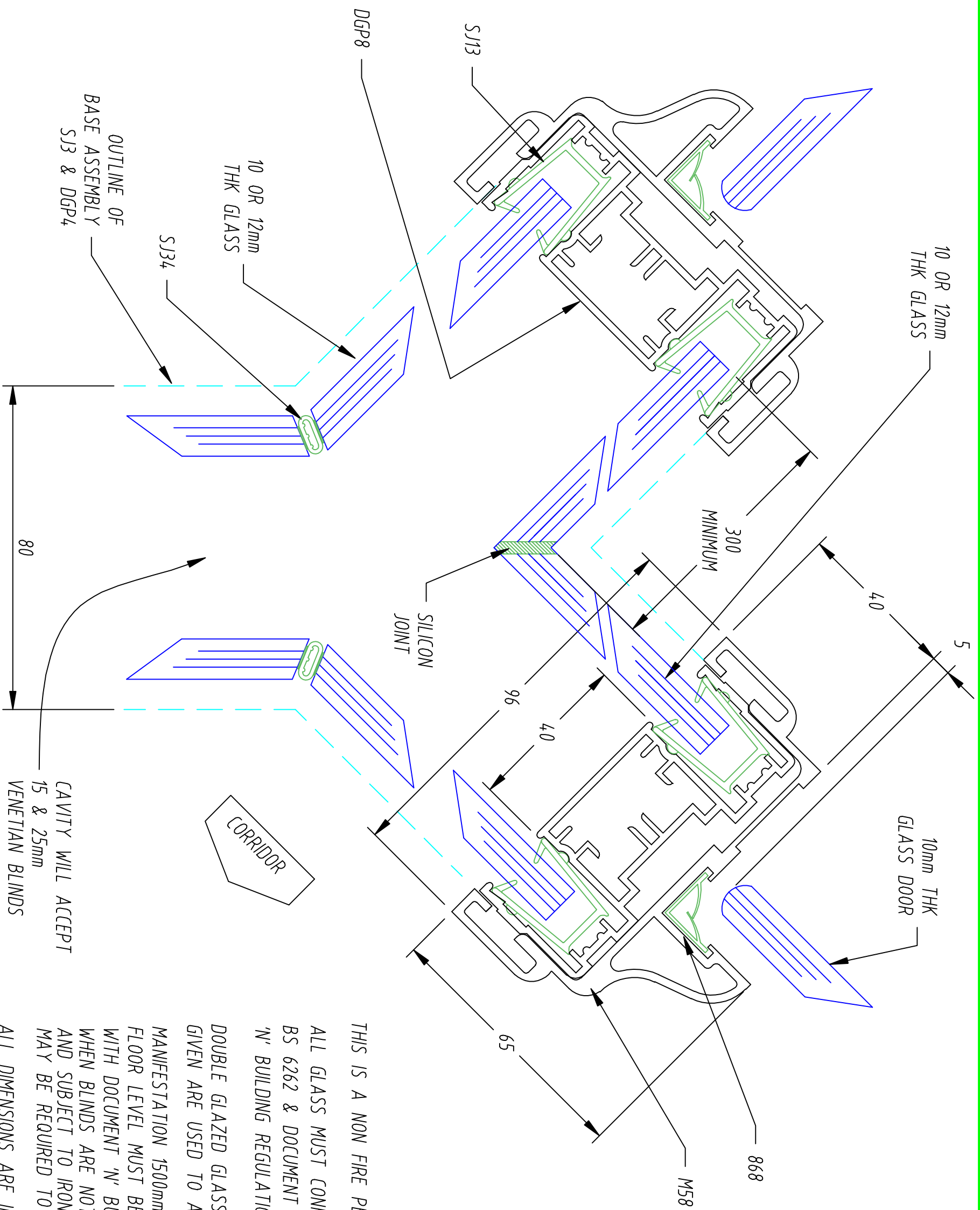


ALL DIMENSIONS ARE IN mm & NOMINAL



© COPYRIGHT & DESIGN 2009 PROPERTY OF  
KOMFORT WORKSPACE Plc  
WHITTLE WAY, CRAWLEY, WEST SUSSEX, RH10 9RT  
TEL : 01293 592500 WEB www.komfort.com  
DO NOT SCALE IF IN DOUBT ASK

		DATE	30.09.09	TITLE	DOUBLE GLAZED TO KOMFIRE 75 SOLID MULLION
ISSUE	DESCRIPTION OF CHANGE	DRAWN	SSG	DRAWING No	14025
MATERIAL :		CHKD	BJP	ISSUE	2
FINISH :		SCALE	1:1		



CAVITY WILL ACCEPT  
15 & 25mm  
VENETIAN BLINDS

THIS IS A NON FIRE PERFORMANCE ASSEMBLY  
ALL GLASS MUST CONFORM TO  
BS 6262 & DOCUMENT  
'N' BUILDING REGULATIONS  
DOUBLE GLAZED GLASS COMBINATIONS  
GIVEN ARE USED TO A MAXIMUM HEIGHT OF 3000mm.  
MANIFESTATION 1500mm FROM THE FINISHED  
FLOOR LEVEL MUST BE INSTALLED IN ACCORDANCE  
WITH DOCUMENT 'N' BUILDING REGULATIONS  
WHEN BLINDS ARE NOT INCLUDED IN PARTITION  
AND SUBJECT TO IRONMONGERY INSTALLED  
MAY BE REQUIRED TO GLASS DOOR  
ALL DIMENSIONS ARE IN mm & NOMINAL

© COPYRIGHT & DESIGN 2008 PROPERTY OF



KOMFORT WORKSPACE Plc  
WHITTLE WAY, CRAWLEY, WEST SUSSEX, RH10 9RT  
TEL : 01293 592500 WEB www.komfort.com

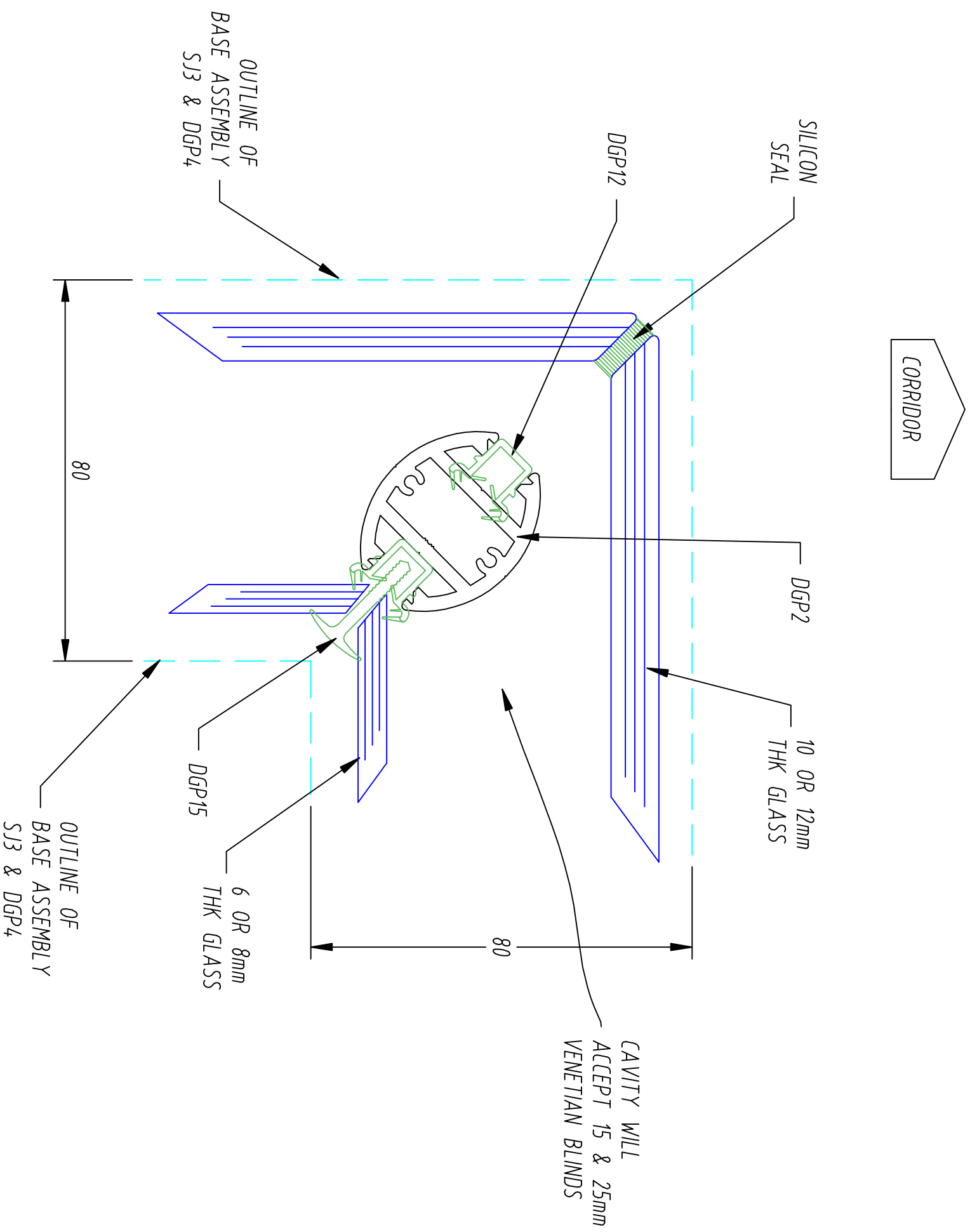
ISSUE	DESCRIPTION OF CHANGE	DATE	TITLE
		08:10:09	'Y' JUNCTION GLASS DOOR /GLAZED/
		DRAWN SSG	GLASS DOOR
MATERIAL :		CHKD	DRAWING No
FINISH :		SCALE NTS	14024
			ISSUE 3

THIS IS A NON FIRE PERFORMANCE ASSEMBLY

ALL GLASS MUST CONFORM TO  
BS 6262 & DOCUMENT  
'N' BUILDING REGULATIONS

DOUBLE GLAZED GLASS COMBINATIONS  
GIVEN ARE USED TO A MAXIMUM HEIGHT OF 3000mm.

MANIFESTATION 1500mm FROM THE FINISHED  
FLOOR LEVEL MUST BE INSTALLED IN ACCORDANCE  
WITH DOCUMENT 'N' BUILDING REGULATIONS  
WHEN BLINDS ARE NOT INCLUDED



ALL DIMENSIONS ARE IN mm & NOMINAL

© COPYRIGHT & DESIGN 2008 PROPERTY OF

KOMFORT WORKSPACE Plc  
WHITTLE WAY, CRAWLEY, WEST SUSSEX, RH10 9RT  
TEL : 01293 592500 WEB www.komfort.com

DO NOT SCALE IF IN DOUBT ASK



ISSUE	DESCRIPTION OF CHANGE	DATE	TITLE
		08:10:09	90 DEG CORNER - DOUBLE GLAZED POLAR
		DRAWN	SSG
		CHKD	
MATERIAL :		SCALE	DRAWING No
FINISH :		NTS	14023
			ISSUE
			2

THIS IS A NON FIRE PERFORMANCE ASSEMBLY

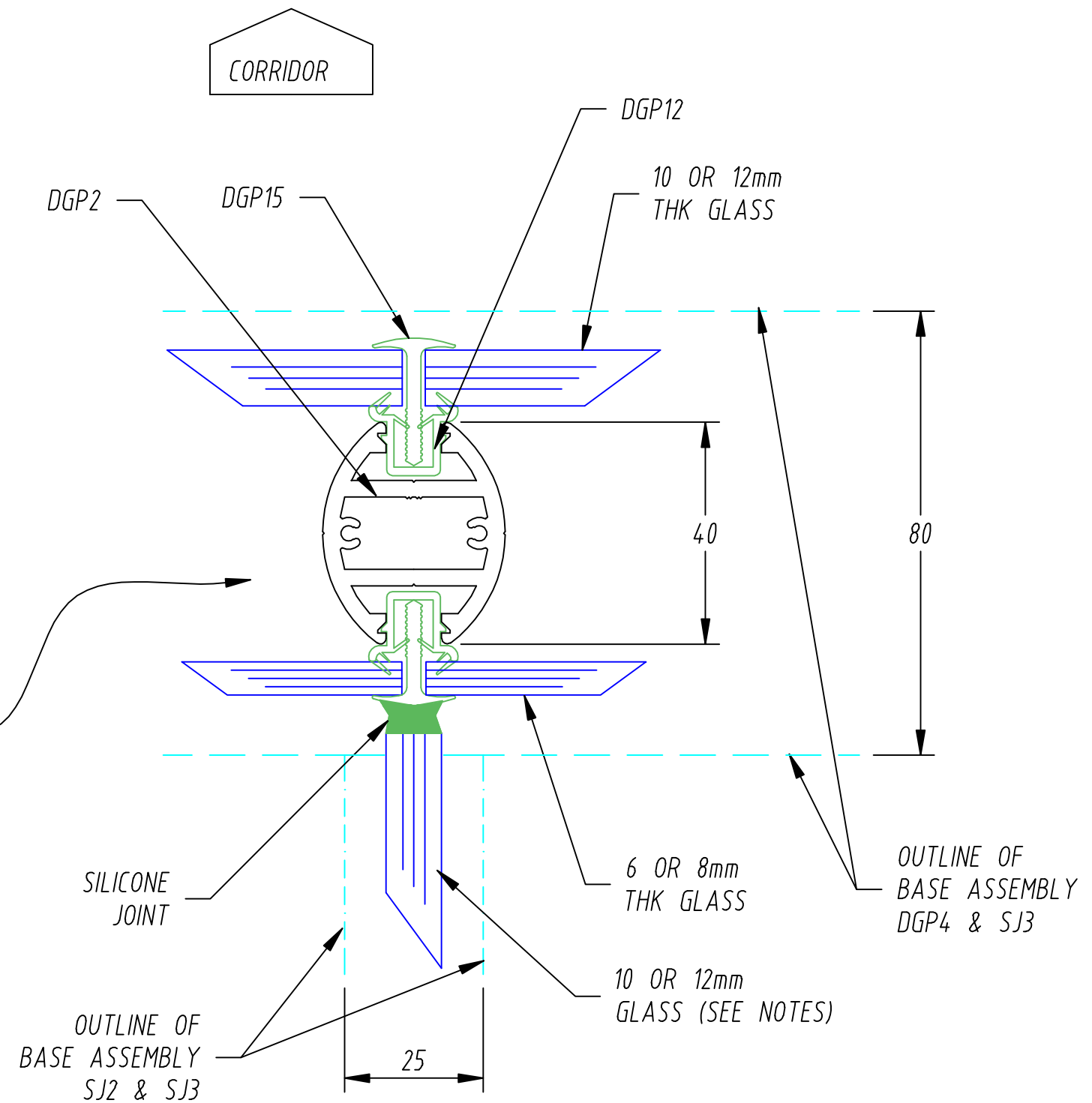
ALL GLASS MUST CONFORM TO  
BS 6262 & DOCUMENT  
'N' BUILDING REGULATIONS

DOUBLE GLAZED GLASS COMBINATIONS  
GIVEN ARE USED TO A MAXIMUM HEIGHT OF 3000mm.

10mm GLASS USED TO A MAXIMUM HEIGHT OF 2440mm  
12mm GLASS USED TO A MAXIMUM HEIGHT OF 3000mm

MANIFESTATION 1500mm FROM THE FINISHED  
FLOOR LEVEL MUST BE INSTALLED IN ACCORDANCE  
WITH DOCUMENT 'N' BUILDING REGULATIONS  
WHEN BLINDS ARE NOT INCLUDED

CAVITY WILL ACCEPT  
15 & 25mm VENETIAN BLINDS



ALL DIMENSIONS ARE IN mm & NOMINAL



© COPYRIGHT & DESIGN 2009 PROPERTY OF  
KOMFORT WORKSPACE Plc  
WHITTLE WAY, CRAWLEY, WEST SUSSEX, RH10 9RT  
TEL : 01293 592500 WEB www.komfort.com  
DO NOT SCALE IF IN DOUBT ASK

		DATE	30:09:09	TITLE	3 WAY JUNCTION
ISSUE	DESCRIPTION OF CHANGE	DRAWN	SSG	DOUBLE GLAZED TO SINGLE GLAZED POLAR	
MATERIAL :		CHKD	BJP	DRAWING No	ISSUE
FINISH :		SCALE	1:1	14022	3

THIS IS A NON FIRE PERFORMANCE ASSEMBLY

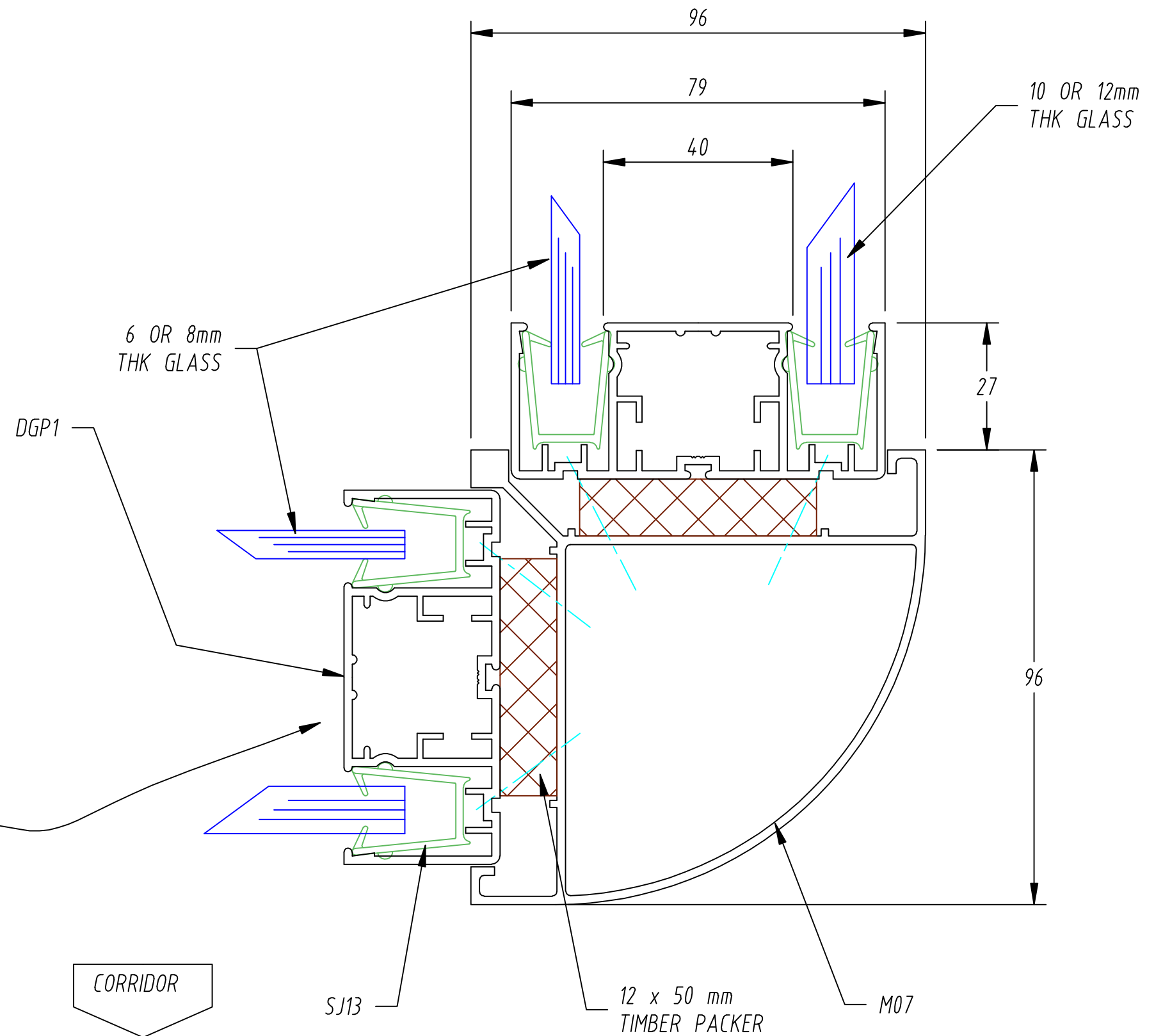
ALL GLASS MUST CONFORM TO  
BS 6262 & DOCUMENT  
'N' BUILDING REGULATIONS

DOUBLE GLAZED GLASS COMBINATIONS  
GIVEN ARE USED TO A MAXIMUM HEIGHT OF 3000mm.

MANIFESTATION 1500mm FROM THE FINISHED  
FLOOR LEVEL MUST BE INSTALLED IN ACCORDANCE  
WITH DOCUMENT 'N' BUILDING REGULATIONS  
WHEN BLINDS ARE NOT INCLUDED

CORNER POST TO BE POSITIONED  
BETWEEN FLOOR & CEILING HEAD  
CHANNEL & BASE ASSEMBLY TO ABUT.

CAVITY WILL ACCEPT  
15 & 25mm VENETIAN BLINDS



ALL DIMENSIONS ARE IN mm & NOMINAL



© COPYRIGHT & DESIGN 2009 PROPERTY OF  
KOMFORT WORKSPACE Plc  
WHITTLE WAY, CRAWLEY, WEST SUSSEX, RH10 9RT  
TEL : 01293 592500 WEB www.komfort.com  
DO NOT SCALE IF IN DOUBT ASK

		DATE	30:09:09	TITLE	90° CORNER DOUBLE GLAZED USING M07 POST	
ISSUE	DESCRIPTION OF CHANGE	DRAWN	SSG	DRAWING No	14021	ISSUE
MATERIAL :		CHKD	BJP			2
FINISH :		SCALE	1:1			

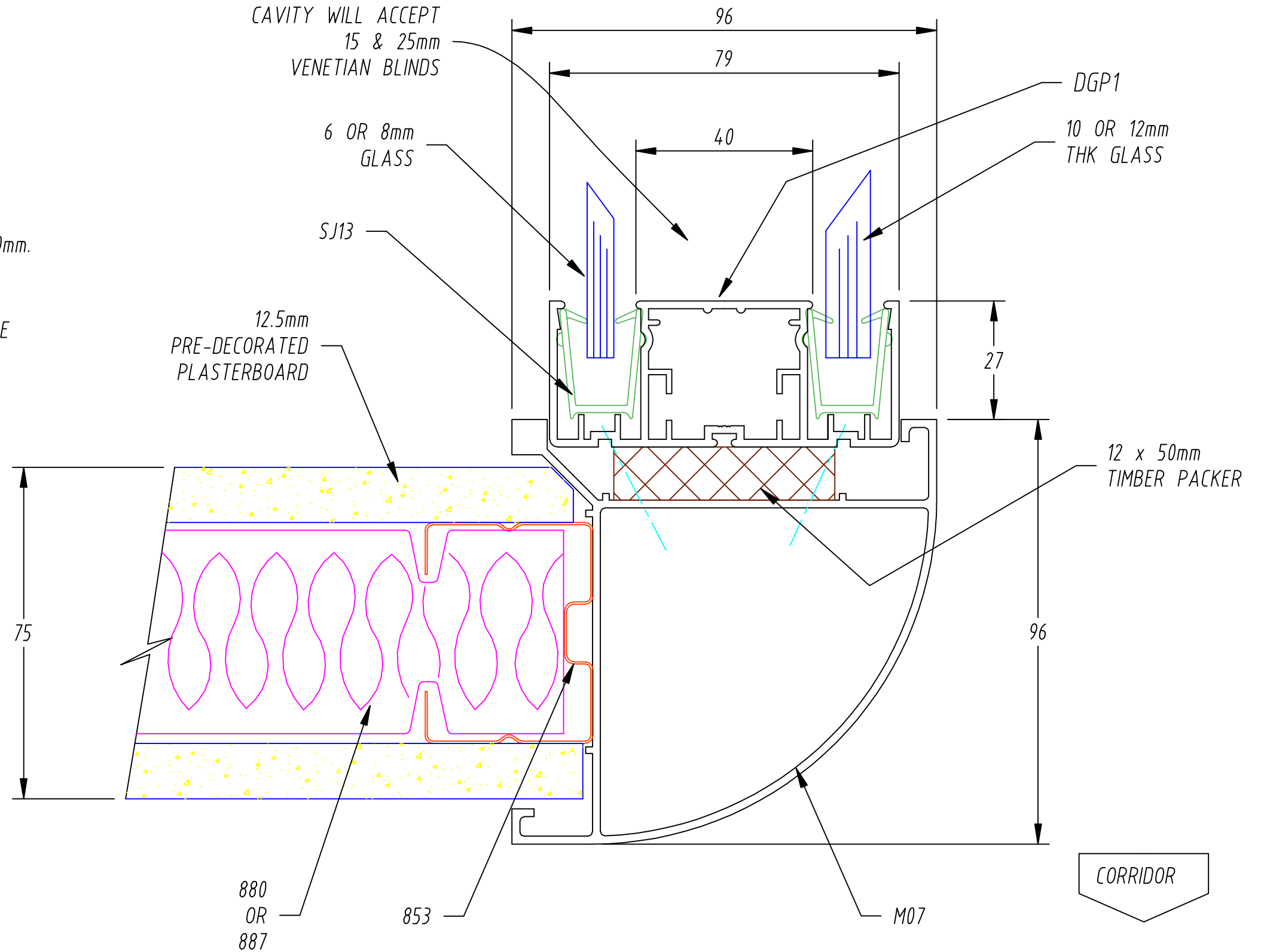
THIS IS A NON FIRE PERFORMANCE ASSEMBLY

ALL GLASS MUST CONFORM TO  
BS 6262 & DOCUMENT  
'N' BUILDING REGULATIONS

DOUBLE GLAZED GLASS COMBINATIONS  
GIVEN ARE USED TO A MAXIMUM HEIGHT OF 3000mm.

MANIFESTATION 1500mm FROM THE FINISHED  
FLOOR LEVEL MUST BE INSTALLED IN ACCORDANCE  
WITH DOCUMENT 'N' BUILDING REGULATIONS  
WHEN BLINDS ARE NOT INCLUDED

CORNER POST TO BE POSITIONED  
BETWEEN FLOOR & CEILING HEAD  
CHANNEL & BASE ASSEMBLY TO ABUT.



ALL DIMENSIONS ARE IN mm & NOMINAL



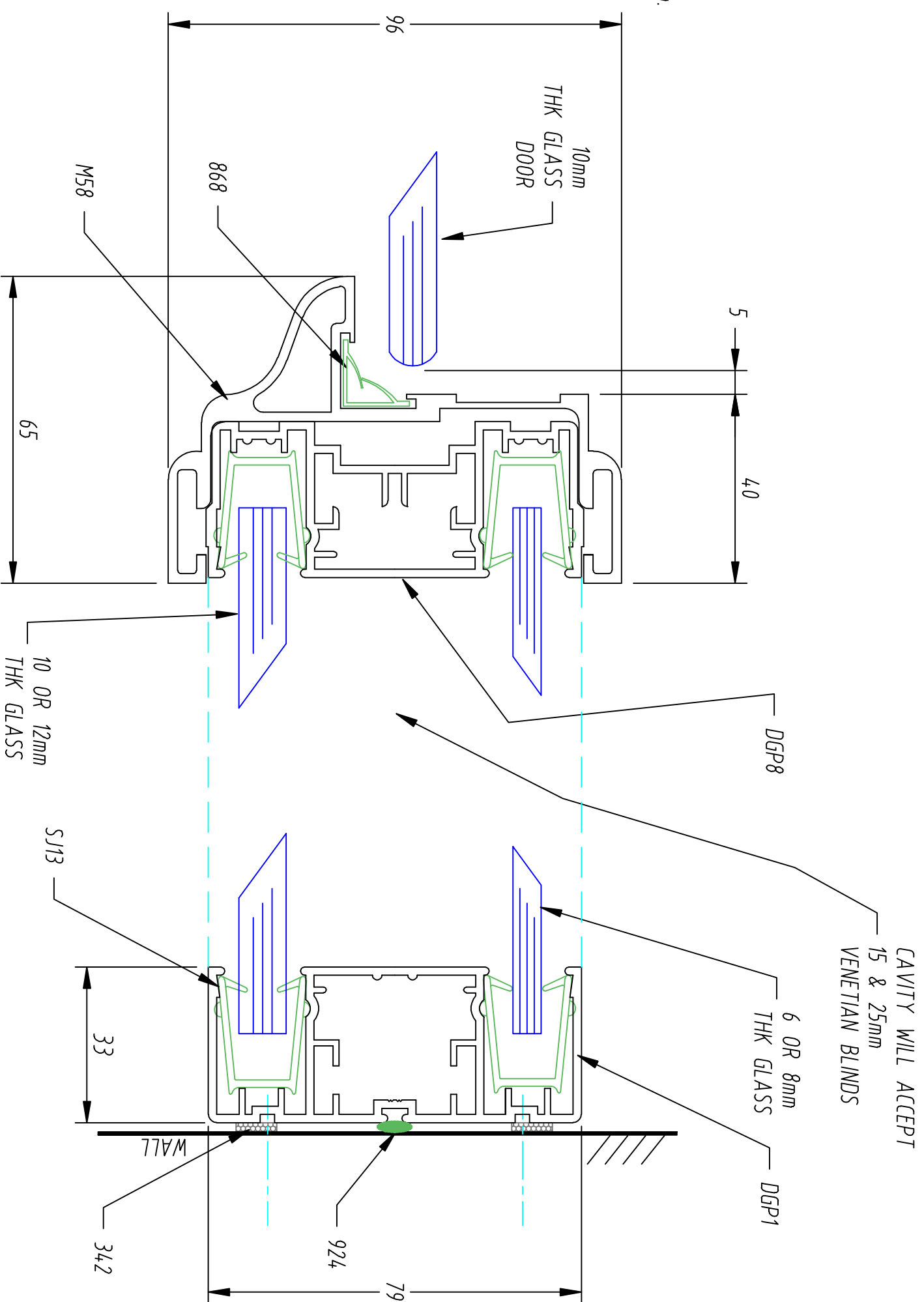
© COPYRIGHT & DESIGN 2009 PROPERTY OF  
KOMFORT WORKSPACE Plc  
WHITTLE WAY, CRAWLEY, WEST SUSSEX, RH10 9RT  
TEL : 01293 592500 WEB www.komfort.com  
DO NOT SCALE IF IN DOUBT ASK

DATE	30:09:09	TITLE	DOUBLE GLAZED POLAR 90° CORNER DOUBLE GLAZED TO KOMFIRE 75mm USING M07 POST	
ISSUE		DRAWN	SSG	
MATERIAL :		CHKD	BJP	DRAWING No
FINISH :		SCALE	1:1	14020
				ISSUE 2

THIS IS A NON FIRE PERFORMANCE ASSEMBLY

ALL GLASS MUST CONFORM TO  
BS 6262 & DOCUMENT  
'N' BUILDING REGULATIONS

DOUBLE GLAZED GLASS COMBINATIONS  
GIVEN ARE USED TO A MAXIMUM HEIGHT OF 3000mm.



MANIFESTATION 1500mm FROM THE FINISHED  
FLOOR LEVEL MUST BE INSTALLED IN ACCORDANCE  
WITH DOCUMENT 'N' BUILDING REGULATIONS  
WHEN BLINDS ARE NOT INCLUDED IN PARTITION  
AND SUBJECT TO IRONMONGERY INSTALLED  
MAY BE REQUIRED TO GLASS DOOR

ALL DIMENSIONS ARE IN mm & NOMINAL

© COPYRIGHT & DESIGN 2009 PROPERTY OF



KOMFORT WORKSPACE Plc  
WHITTLE WAY, CRAWLEY, WEST SUSSEX, RH10 9RT  
TEL : 01293 592500 WEB www.komfort.com  
DO NOT SCALE IF IN DOUBT ASK

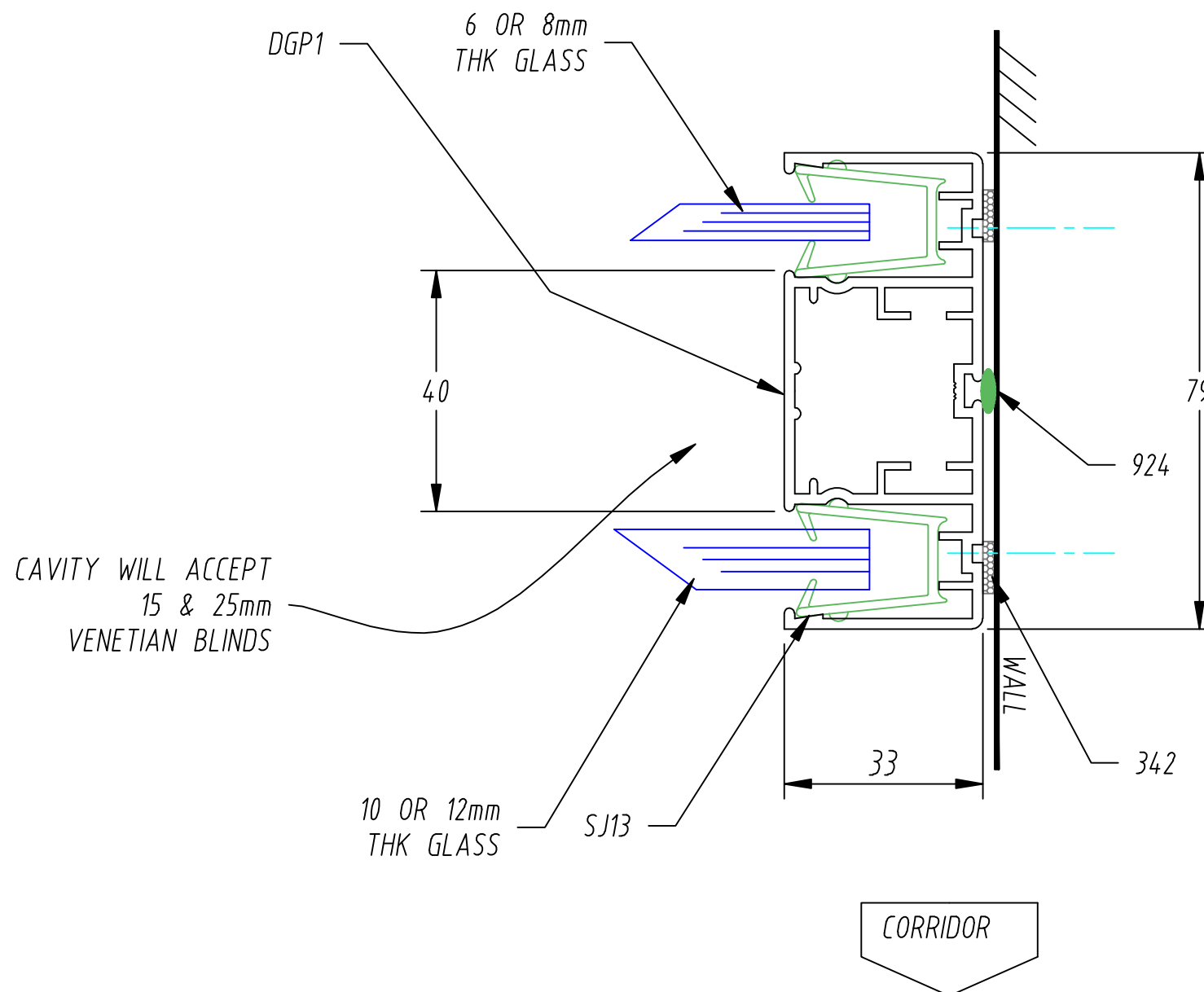
ISSUE	DESCRIPTION OF CHANGE	DATE	DRAWN	SSG	TITLE	ISSUE
MATERIAL :		05:11:09	CHKD	BJP	ABUTMENT DOUBLE GLAZED TO GLASS DOOR (MIRAGE DOOR FRAME)	3
FINISH :			SCALE	1:1	DRAWING No <b>14019</b>	

THIS IS A NON FIRE PERFORMANCE ASSEMBLY

ALL GLASS MUST CONFORM TO  
BS 6262 & DOCUMENT  
'N' BUILDING REGULATIONS

DOUBLE GLAZED GLASS COMBINATIONS  
GIVEN ARE USED TO A MAXIMUM HEIGHT OF 3000mm.

MANIFESTATION 1500mm FROM THE FINISHED  
FLOOR LEVEL MUST BE INSTALLED IN ACCORDANCE  
WITH DOCUMENT 'N' BUILDING REGULATIONS  
WHEN BLINDS ARE NOT INCLUDED

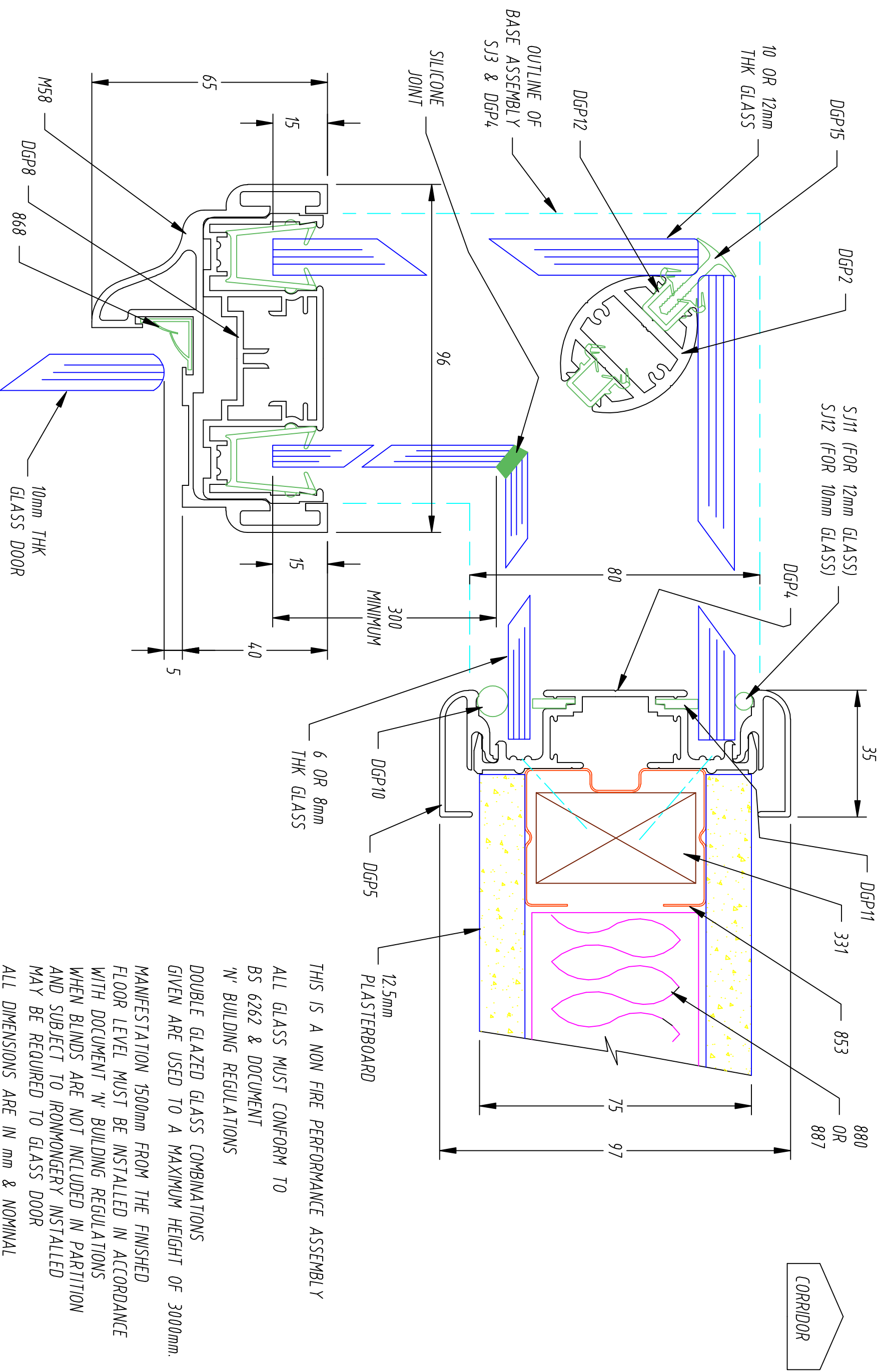


ALL DIMENSIONS ARE IN mm & NOMINAL



© COPYRIGHT & DESIGN 2009 PROPERTY OF  
KOMFORT WORKSPACE Plc  
WHITTLE WAY, CRAWLEY, WEST SUSSEX, RH10 9RT  
TEL : 01293 592500 WEB www.komfort.com  
DO NOT SCALE IF IN DOUBT ASK

		DATE	30.09.09	TITLE	DOUBLE GLAZED WALL ABUTMENT	
ISSUE	DESCRIPTION OF CHANGE	DRAWN	SSG			
MATERIAL :		CHKD	BJP	DRAWING No	14018	
FINISH :		SCALE	1:1			ISSUE 2



THIS IS A NON FIRE PERFORMANCE ASSEMBLY  
 ALL GLASS MUST CONFORM TO  
 BS 6262 & DOCUMENT  
 'N' BUILDING REGULATIONS  
 DOUBLE GLAZED GLASS COMBINATIONS  
 GIVEN ARE USED TO A MAXIMUM HEIGHT OF 3000mm.  
 MANIFESTATION 1500mm FROM THE FINISHED  
 FLOOR LEVEL MUST BE INSTALLED IN ACCORDANCE  
 WITH DOCUMENT 'N' BUILDING REGULATIONS  
 WHEN BLINDS ARE NOT INCLUDED IN PARTITION  
 AND SUBJECT TO IRONMONGERY INSTALLED  
 MAY BE REQUIRED TO GLASS DOOR  
 ALL DIMENSIONS ARE IN mm & NOMINAL

© COPYRIGHT & DESIGN 2009 PROPERTY OF

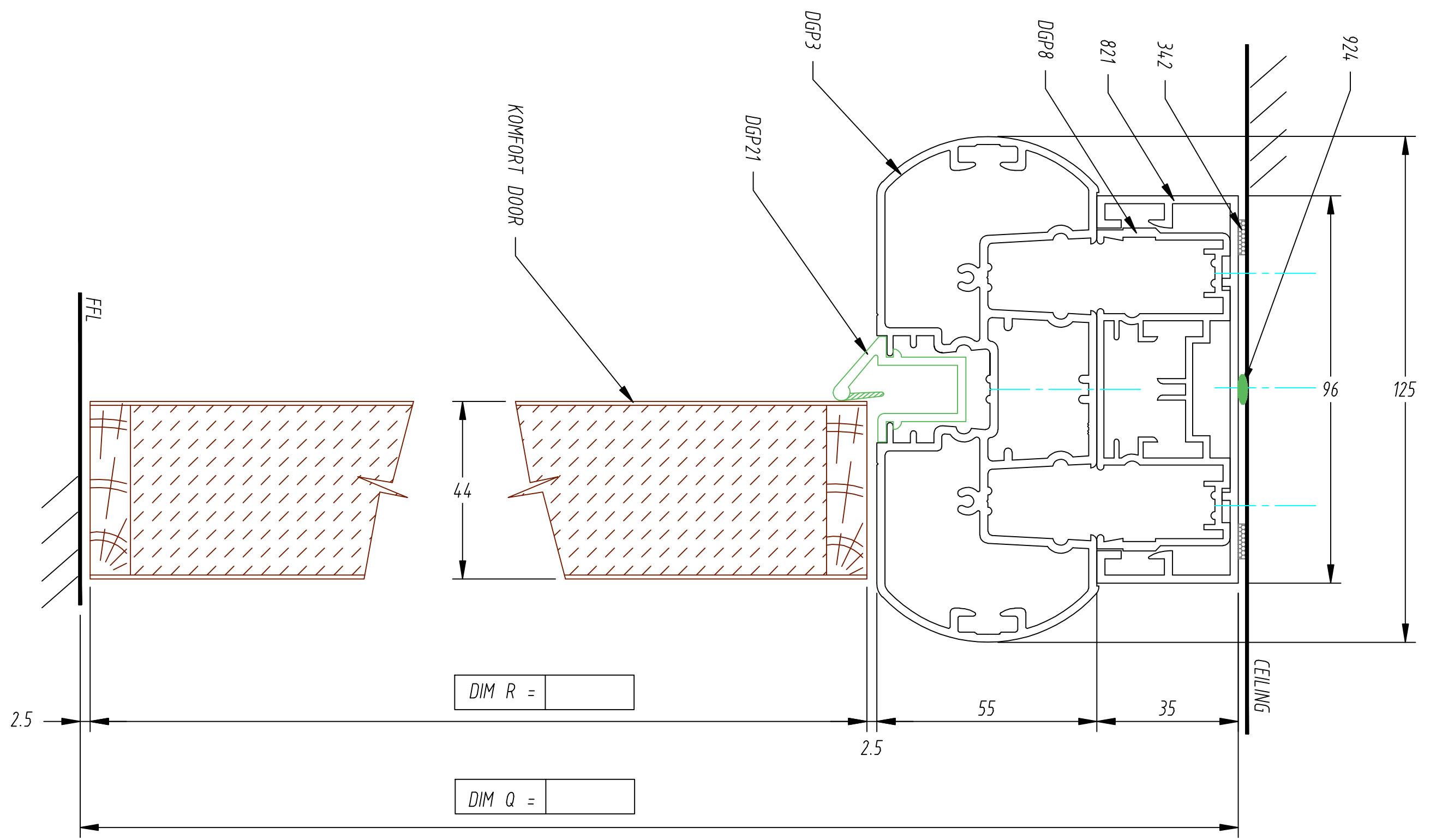


KOMFORT WORKSPACE Plc  
 WHITTLE WAY, CRAWLEY, WEST SUSSEX, RH10 9RT  
 TEL : 01293 592500 WEB www.komfort.com

DO NOT SCALE IF IN DOUBT ASK

ISSUE	DESCRIPTION OF CHANGE	DATE	TITLE
		09:11:09	90° CORNER GLASS DOOR (MIRAGE FRAME) TO GLAZED TO SOLID
MATERIAL :		CHKD BJP	DRAWING No 14017
FINISH :		SCALE 1:1	ISSUE 4

CORRIDOR



THIS IS A NON FIRE PERFORMANCE ASSEMBLY  
 DIM Q = FLOOR TO CEILING HEIGHT  
 DIM R = DIM Q - 95

ALL DIMENSIONS ARE IN mm & NOMINAL

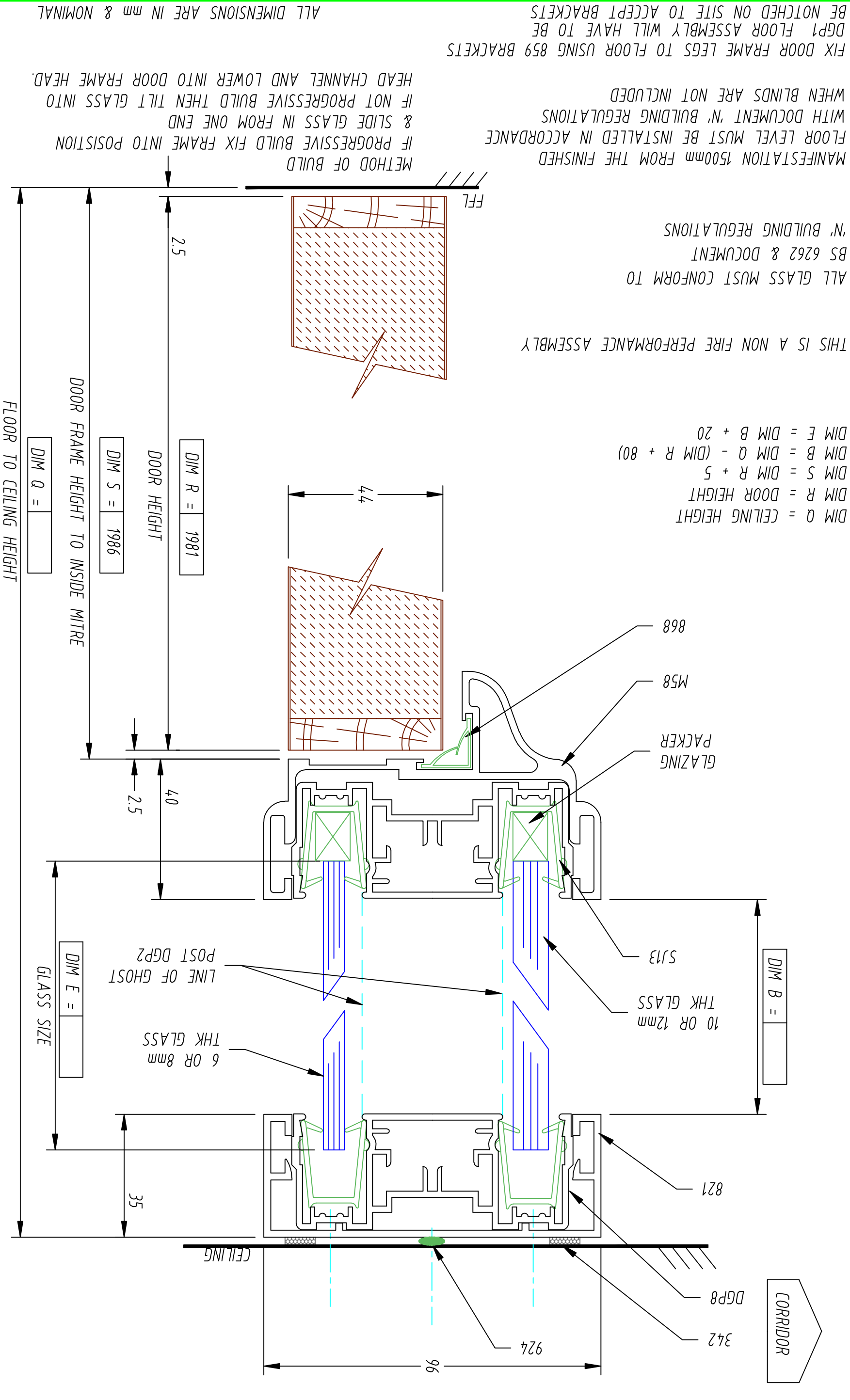


© COPYRIGHT & DESIGN 2009 PROPERTY OF  
 KOMFORT WORKSPACE Plc  
 WHITTLE WAY, CRAWLEY, WEST SUSSEX, RH10 9RT  
 TEL : 01293 592500 WEB www.komfort.com  
 DO NOT SCALE IF IN DOUBT ASK

DATE	30:09:09	TITLE	FULL HEIGHT TIMBER DOOR IN POLAR DOOR FRAME	ISSUE	2
ISSUE		DESCRIPTION OF CHANGE			
DRAWN	SSG	CHKD	BJP	DRAWING No	14016
MATERIAL :		SCALE	1:1		
FINISH :					



ISSUE	DESCRIPTION OF CHANGE	DATE	TITLE
MATERIAL :		09:11:09	GLAZED ABOVE TIMBER DOOR USING MIRAGE DOOR FRAME VERTICAL DETAIL
FINISH :		DRAWN SSG	DRAWING No
		CHKD BJP	14014
		SCALE 1:1	ISSUE 2

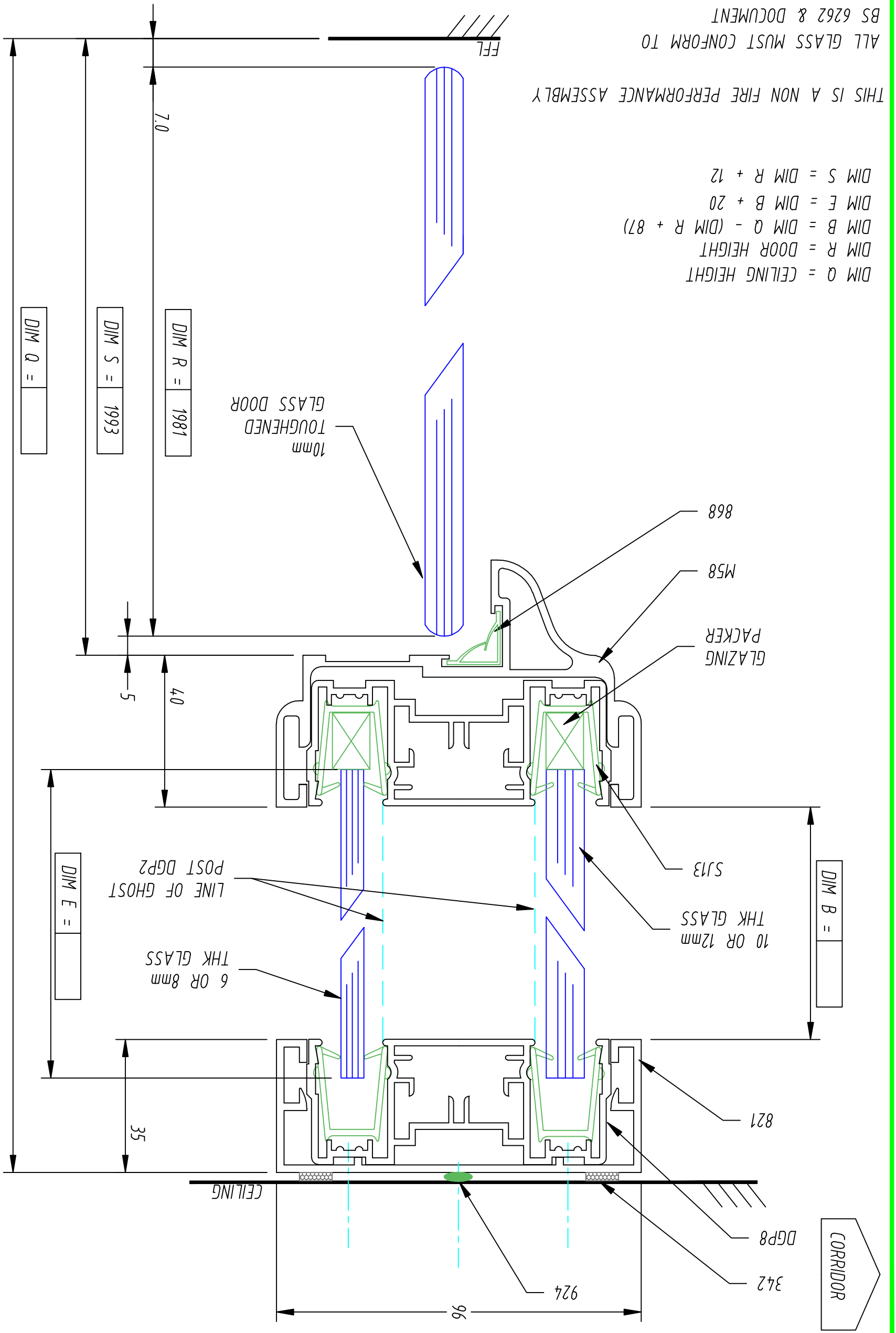


ALL GLASS MUST CONFORM TO BS 6262 & DOCUMENT N. BUILDING REGULATIONS

THIS IS A NON FIRE PERFORMANCE ASSEMBLY

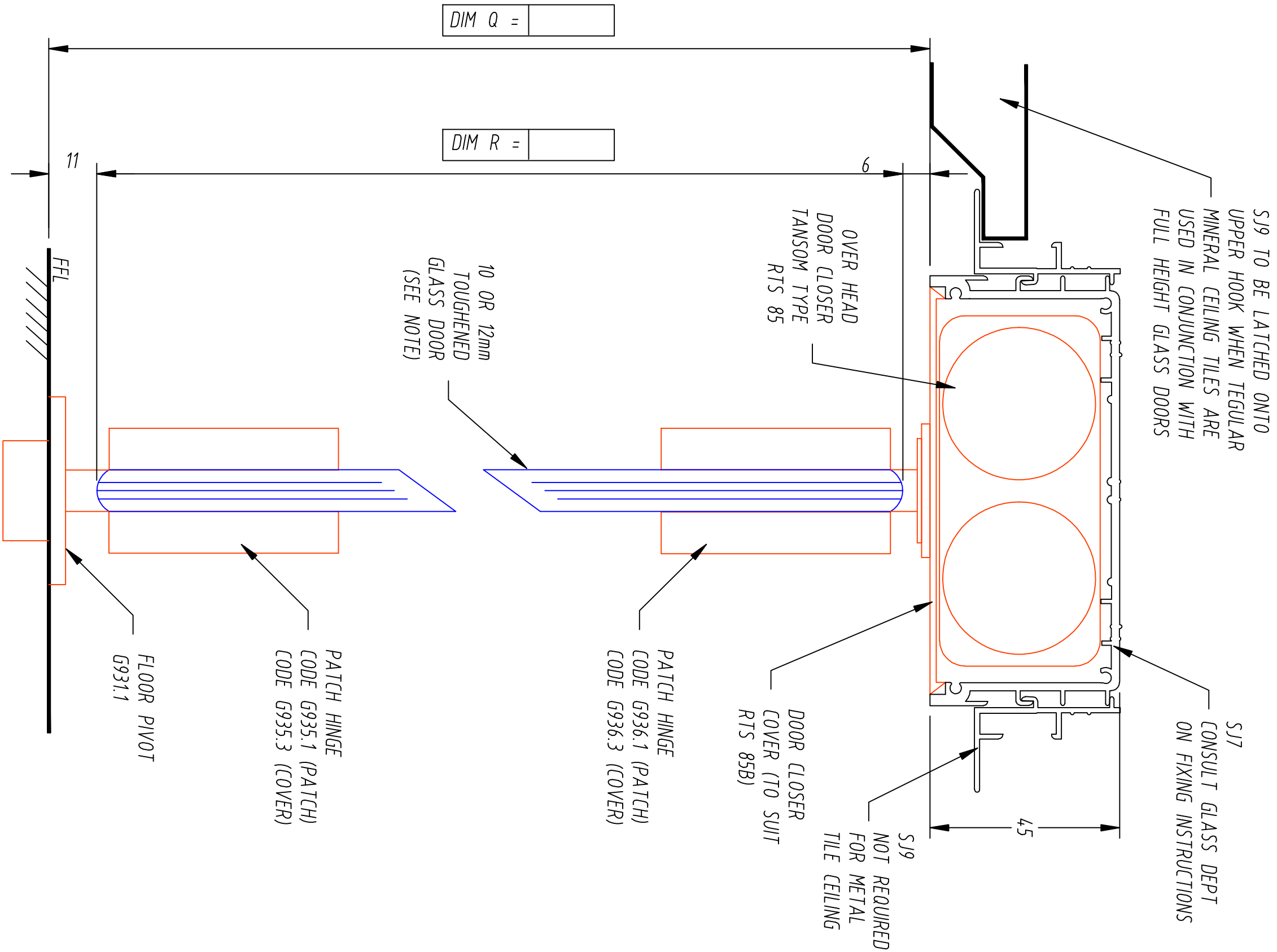
DIM Q = CEILING HEIGHT  
 DIM R = DOOR HEIGHT  
 DIM B = DIM Q - (DIM R + 87)  
 DIM E = DIM B + 20  
 DIM S = DIM R + 12

SUBJECT TO SIZE OF IRONMONGERY INSTALLED  
 MANIFESTATION 1500mm FROM THE FINISHED FLOOR LEVEL MAY NEED TO BE INSTALLED IN ACCORDANCE WITH DOCUMENT N. BUILDING REGULATIONS



© COPYRIGHT & DESIGN 2009 PROPERTY OF  
 KOMFORT WORKSPACE Plc  
 WHITTLE WAY, CRAWLEY, WEST SUSSEX, RH10 9RT  
 TEL : 01293 592500 WEB www.komfort.com  
 DO NOT SCALE IF IN DOUBT ASK

ISSUE	DESCRIPTION OF CHANGE	DATE	TITLE
ISSUE		06:11:09	GLAZED ABOVE GLASS DOOR
MATERIAL :		DRAWN SSG	MIRAGE FRAME (M58) VERTICAL DETAIL
FINISH :		CHKD BJP	DRAWING No 14013
		SCALE 1:1	ISSUE 2



THIS IS A NON FIRE PERFORMANCE ASSEMBLY

ALL GLASS MUST CONFORM TO  
BS 6262 & DOCUMENT  
'N' BUILDING REGULATIONS

MANIFESTATION 1500mm FROM THE FINISHED  
FLOOR LEVEL MUST BE INSTALLED IN ACCORDANCE  
WITH DOCUMENT 'N' BUILDING REGULATIONS  
WHEN BLINDS ARE NOT INCLUDED IN PARTITION  
AND SUBJECT TO IRON MONGERY INSTALLED  
MAY BE REQUIRED TO GLASS DOOR

DIM Q = FLOOR TO CEILING HEIGHT  
DIM R = DIM Q - 17

10mm GLASS USED TO A MAXIMUM HEIGHT OF 2440mm  
12mm GLASS USED TO A MAXIMUM HEIGHT OF 3000mm

ALL DIMENSIONS ARE IN mm & NOMINAL

DATE 30.09.09		TITLE FULL HEIGHT FLUSH GLASS DOOR HEAD DETAIL	
ISSUE	DESCRIPTION OF CHANGE	DRAWN SSG	DRAWING No 14012
MATERIAL :		CHKD BJP	ISSUE 2
FINISH :		SCALE 1:1	

© COPYRIGHT & DESIGN 2009 PROPERTY OF  
KOMFORT WORKSPACE Plc  
WHITTLE WAY, CRAWLEY, WEST SUSSEX, RH10 9RT  
TEL : 01293 592500 WEB www.komfort.com  
DO NOT SCALE IF IN DOUBT ASK



ALL GLASS MUST CONFORM TO BS 6262 & DOCUMENT 'N' BUILDING REGULATIONS

SUBJECT TO SIZE OF IRONMONGERY INSTALLED MANIFESTATION 150mm FROM THE FINISHED FLOOR LEVEL MAY NEED TO BE INSTALLED IN ACCORDANCE WITH DOCUMENT 'N' BUILDING REGULATIONS

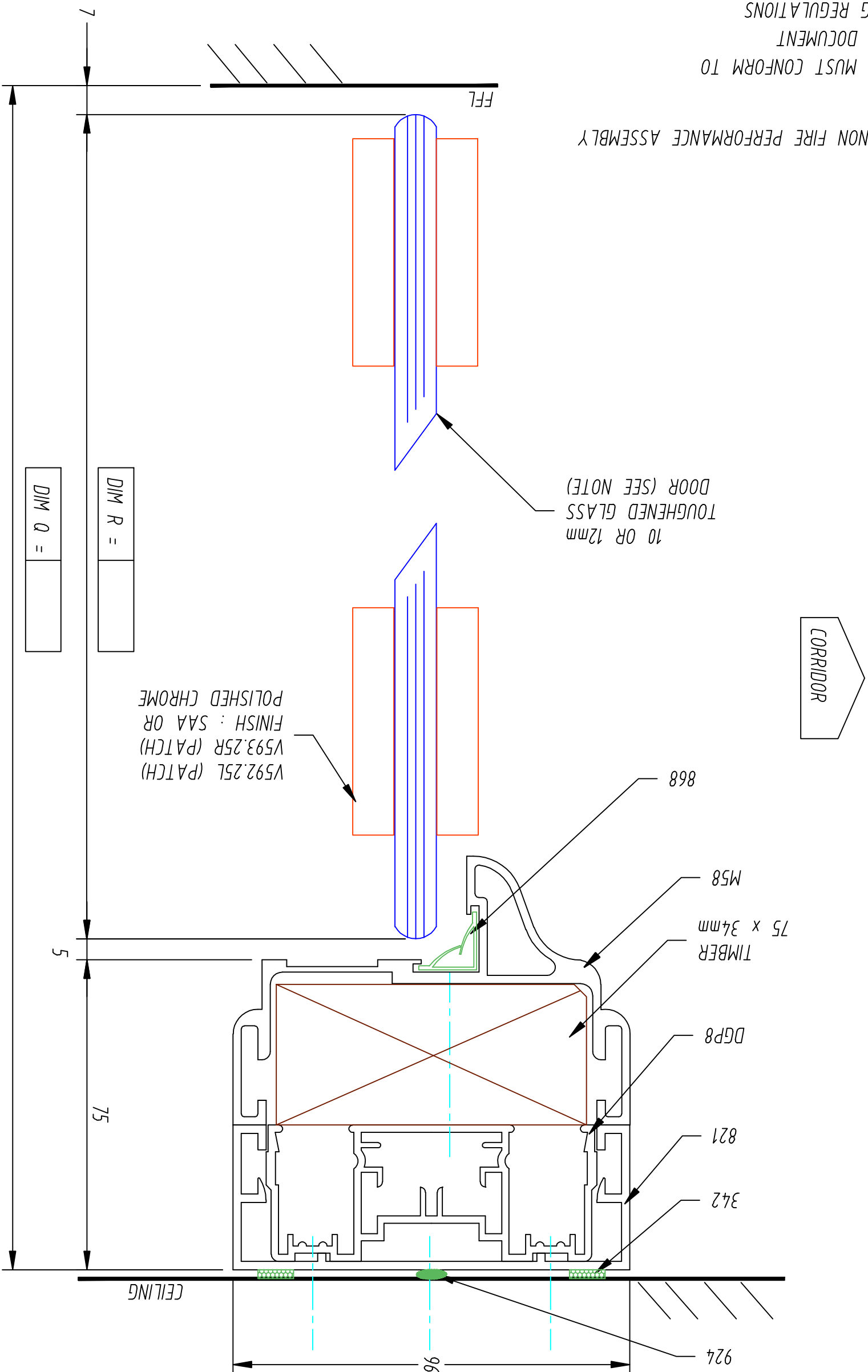
10mm GLASS DOOR USED TO A MAXIMUM HEIGHT OF 2440mm  
12mm GLASS DOOR USED TO A MAXIMUM HEIGHT OF 3000mm

THIS IS A NON FIRE PERFORMANCE ASSEMBLY

10 OR 12mm TOUGHENED GLASS DOOR (SEE NOTE)

DIM Q = FLOOR TO CEILING HEIGHT  
DIM R = DIM Q - 87

ALL DIMENSIONS ARE IN mm & NOMINAL



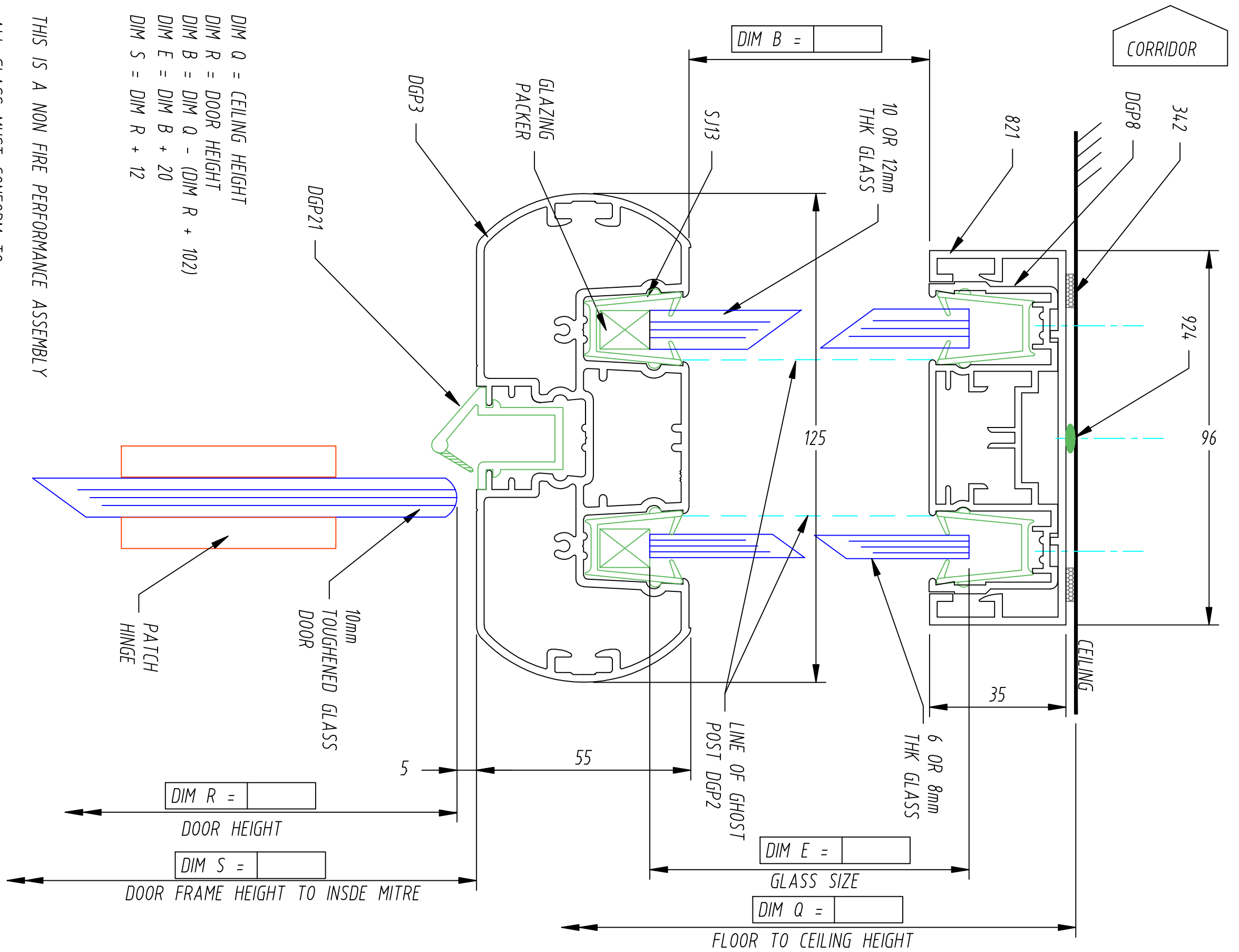
V592.25L (PATCH)  
FINISH : SAA OR  
V593.25R (PATCH)  
POLISHED CHROME

© COPYRIGHT & DESIGN 2009 PROPERTY OF

KOMFORT WORKSPACE Plc  
WHITTLE WAY, CRAWLEY, WEST SUSSEX, RH10 9RT  
TEL : 01293 592500 WEB www.komfort.com  
DO NOT SCALE IF IN DOUBT ASK

2	GEN REVISION	DATE	TITLE	ISSUE
2 <td>ISSUE</td> <td>06:11:09 <td>DOUBLE GLAZED POLAR FULL HEIGHT GLASS DOOR IN MIRAGE DOOR FRAME (M58) DETAIL <td>2</td> </td></td>	ISSUE	06:11:09 <td>DOUBLE GLAZED POLAR FULL HEIGHT GLASS DOOR IN MIRAGE DOOR FRAME (M58) DETAIL <td>2</td> </td>	DOUBLE GLAZED POLAR FULL HEIGHT GLASS DOOR IN MIRAGE DOOR FRAME (M58) DETAIL <td>2</td>	2
MATERIAL :		DRAWN	DRAWING No	
FINISH :		SSG	14011	
		CHKD		
		BJP		
		SCALE	1:1	





DIM Q = CEILING HEIGHT  
 DIM R = DOOR HEIGHT  
 DIM B = DIM Q - (DIM R + 102)  
 DIM E = DIM B + 20  
 DIM S = DIM R + 12

THIS IS A NON FIRE PERFORMANCE ASSEMBLY

ALL GLASS MUST CONFORM TO  
 BS 6262 & DOCUMENT  
 'N' BUILDING REGULATIONS

SUBJECT TO SIZE OF IRONMONGERY INSTALLED  
 MANIFESTATION 1500mm FROM THE FINISHED  
 FLOOR LEVEL MAY NEED TO BE INSTALLED IN  
 ACCORDANCE WITH DOCUMENT 'N' BUILDING REGULATIONS

FIX DOOR FRAME LEGS TO FLOOR USING 859 BRACKETS  
 DGP1 FLOOR ASSEMBLY WILL HAVE TO BE  
 BE NOTCHED ON SITE TO ACCEPT BRACKETS

METHOD OF BUILD  
 IF PROGRESSIVE BUILD FIX FRAME INTO POSITION  
 & SLIDE GLASS IN FROM ONE END  
 IF NOT PROGRESSIVE BUILD THEN TILT GLASS INTO  
 HEAD CHANNEL AND LOWER INTO DOOR FRAME HEAD.

ALL DIMENSIONS ARE IN mm & NOMINAL

© COPYRIGHT & DESIGN 2009 PROPERTY OF KOMFORT WORKSPACE Plc WHITTLE WAY, CRAWLEY, WEST SUSSEX, RH10 9RT TEL : 01293 592500 WEB www.komfort.com DO NOT SCALE IF IN DOUBT ASK		DATE 30:09:09 DRAWN SSG CHKD BJP SCALE 1:1	TITLE GLASS DOOR (POLAR FRAME) WITH DOUBLE GLAZED ABOVE VERTICAL DETAIL DRAWING No 14010	ISSUE 2
ISSUE	DESCRIPTION OF CHANGE			
MATERIAL :				
FINISH :				



FIX DOOR FRAME LEGS TO FLOOR USING 859 BRACKETS  
 DGP1 FLOOR ASSEMBLY WILL HAVE TO BE  
 BE NOTCHED ON SITE TO ACCEPT BRACKETS

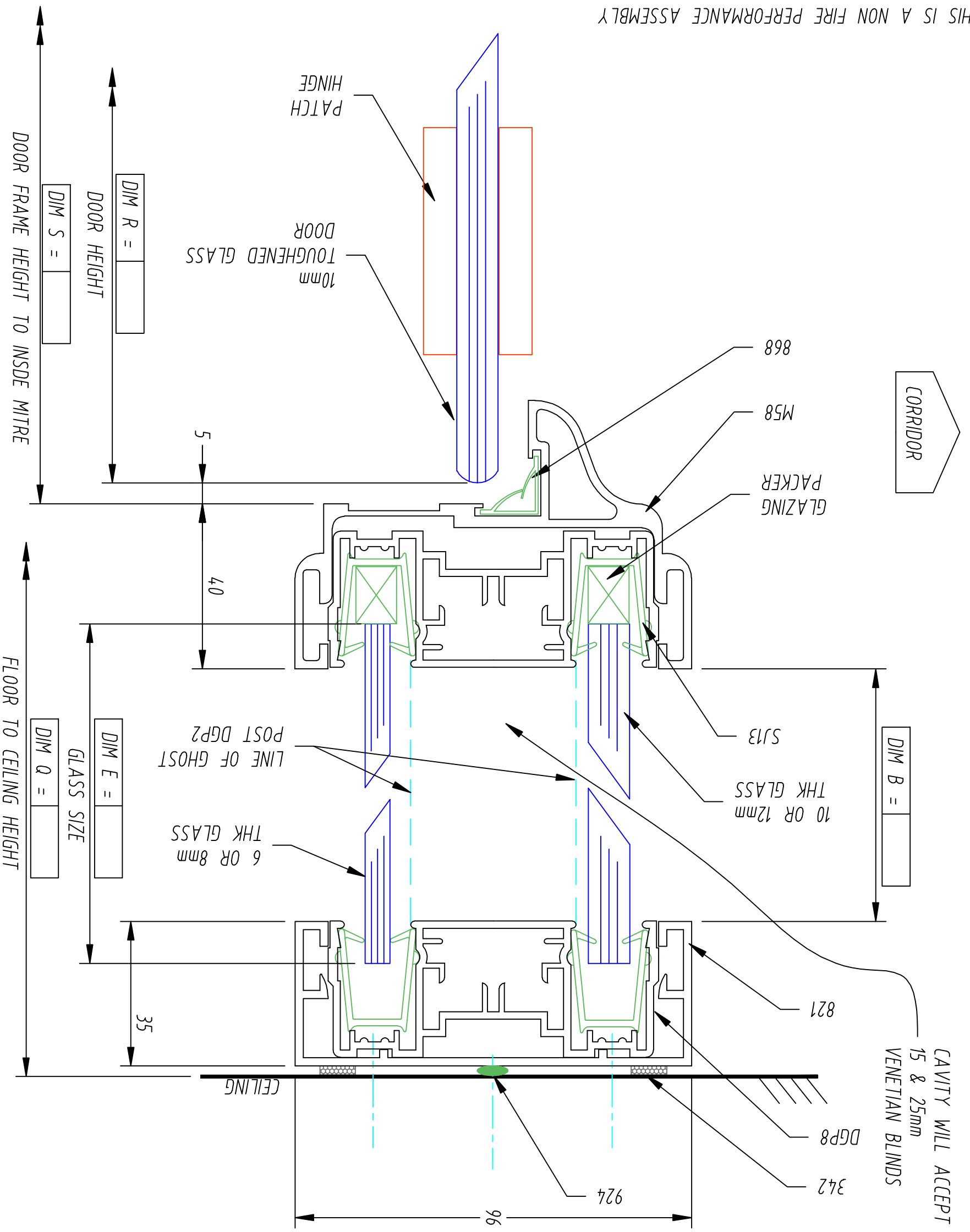
MANIFESTATION 1500mm FROM THE FINISHED  
 FLOOR LEVEL MUST BE INSTALLED IN ACCORDANCE  
 WITH DOCUMENT 'N' BUILDING REGULATIONS  
 WHEN BLINDS ARE NOT INCLUDED

ALL GLASS MUST CONFORM TO  
 BS 6262 & DOCUMENT  
 'N' BUILDING REGULATIONS

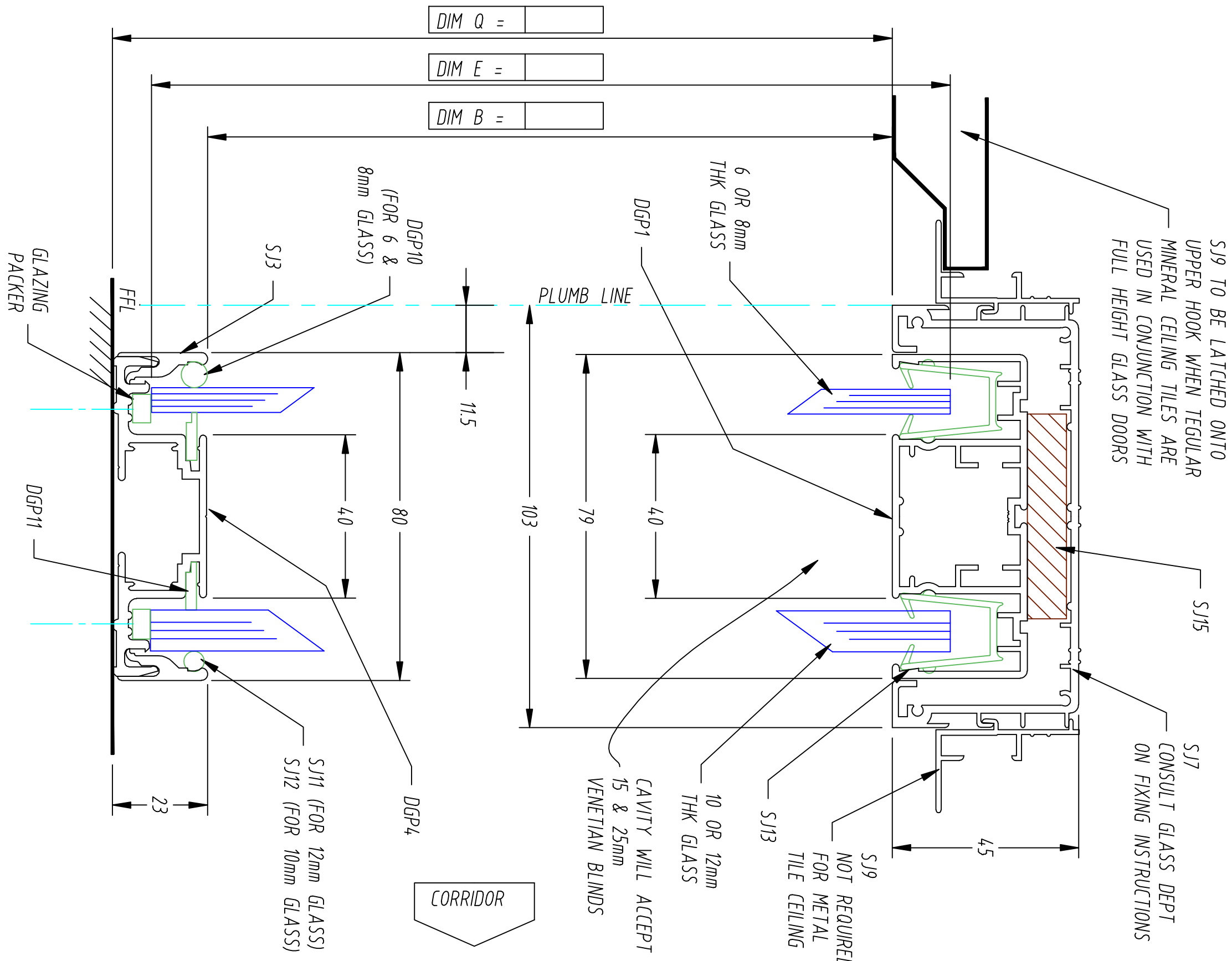
THIS IS A NON FIRE PERFORMANCE ASSEMBLY

METHOD OF BUILD  
 IF PROGRESSIVE BUILD FIX FRAME INTO POSITION  
 & SLIDE GLASS IN FROM ONE END  
 IF NOT PROGRESSIVE BUILD THEN TILT GLASS INTO  
 HEAD CHANNEL AND LOWER INTO DOOR FRAME HEAD.

DIM Q = CEILING HEIGHT  
 DIM R = DOOR HEIGHT  
 DIM S = DIM R + 12  
 DIM B = DIM Q - (DIM R + 87)  
 DIM E = DIM B + 20



ISSUE	DESCRIPTION OF CHANGE	DATE	TITLE	ISSUE
MATERIAL :		30:09:09	DOUBLE GLAZED POLAR GLAZED ABOVE GLASS DOOR USING MIRAGE DOOR FRAME VERTICAL DETAIL	3
FINISH :		DRAWN SSG	DRAWING No 14009	
		CHKD BJP		
		SCALE 1:1		



DIM Q =

DIM E =

DIM B =

THIS IS A NON FIRE PERFORMANCE ASSEMBLY

ALL GLASS MUST CONFORM TO BS 6262 & DOCUMENT 'N' BUILDING REGULATIONS

DOUBLE GLAZED GLASS COMBINATIONS GIVEN ARE USED TO A MAXIMUM HEIGHT OF 3000mm.

MANIFESTATION 1500mm FROM THE FINISHED FLOOR LEVEL MUST BE INSTALLED IN ACCORDANCE WITH DOCUMENT 'N' BUILDING REGULATIONS WHEN BLINDS ARE NOT INCLUDED

DIM Q = FLOOR TO CEILING HEIGHT

DIM B = DIM Q - 23

DIM E = DIM B + 30

FOR ALTERNATIVE HEAD ASSEMBLY SEE DETAILS 14004 & 14031

ALL DIMENSIONS ARE IN mm & NOMINAL

DATE 30.09.09		TITLE FULL HEIGHT DOUBLE GLAZED INTEGRATED HEAD VERTICAL DETAIL	
ISSUE	DESCRIPTION OF CHANGE	DRAWN SSG	DRAWING No 14008
MATERIAL :		CHKD BJP	ISSUE 2
FINISH :		SCALE 1:1	

© COPYRIGHT & DESIGN 2009 PROPERTY OF KOMFORT WORKSPACE Plc  
 WHITTLE WAY, CRAWLEY, WEST SUSSEX, RH10 9RT  
 TEL : 01293 592500 WEB www.komfort.com  
 DO NOT SCALE IF IN DOUBT ASK



THIS IS A NON FIRE PERFORMANCE ASSEMBLY

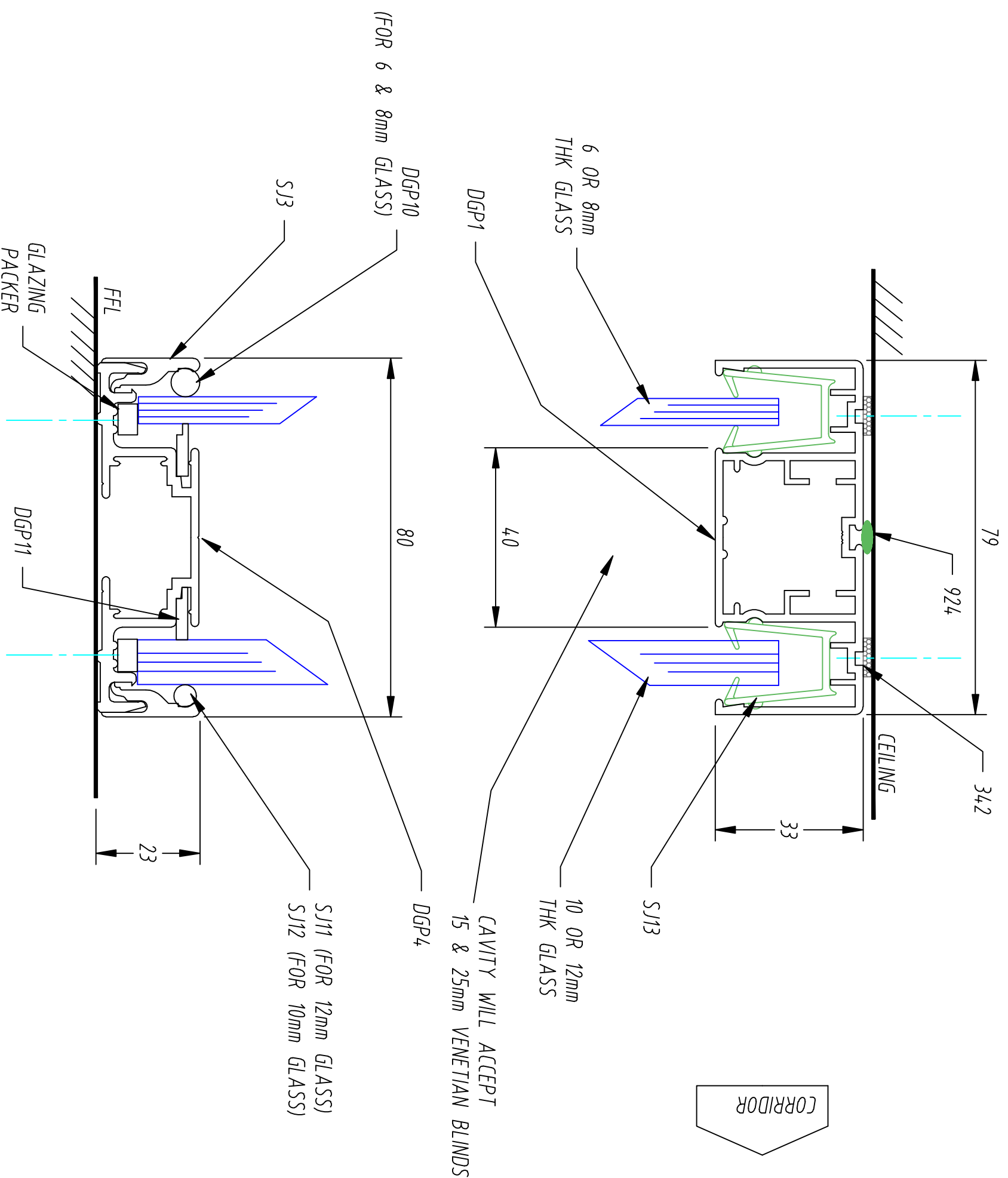
ALL GLASS MUST CONFORM TO  
BS 6262 & DOCUMENT  
'N' BUILDING REGULATIONS

DOUBLE GLAZED GLASS COMBINATIONS  
GIVEN ARE USED TO A MAXIMUM HEIGHT OF 3000mm.

MANIFESTATION 1500mm FROM THE FINISHED  
FLOOR LEVEL MUST BE INSTALLED IN ACCORDANCE  
WITH DOCUMENT 'N' BUILDING REGULATIONS  
WHEN BLINDS ARE NOT INCLUDED

FOR ALTERNATIVE HEAD ASSEMBLY  
SEE DETAILS 14005 & 14031

ALL DIMENSIONS ARE IN mm & NOMINAL



© COPYRIGHT & DESIGN 2009 PROPERTY OF

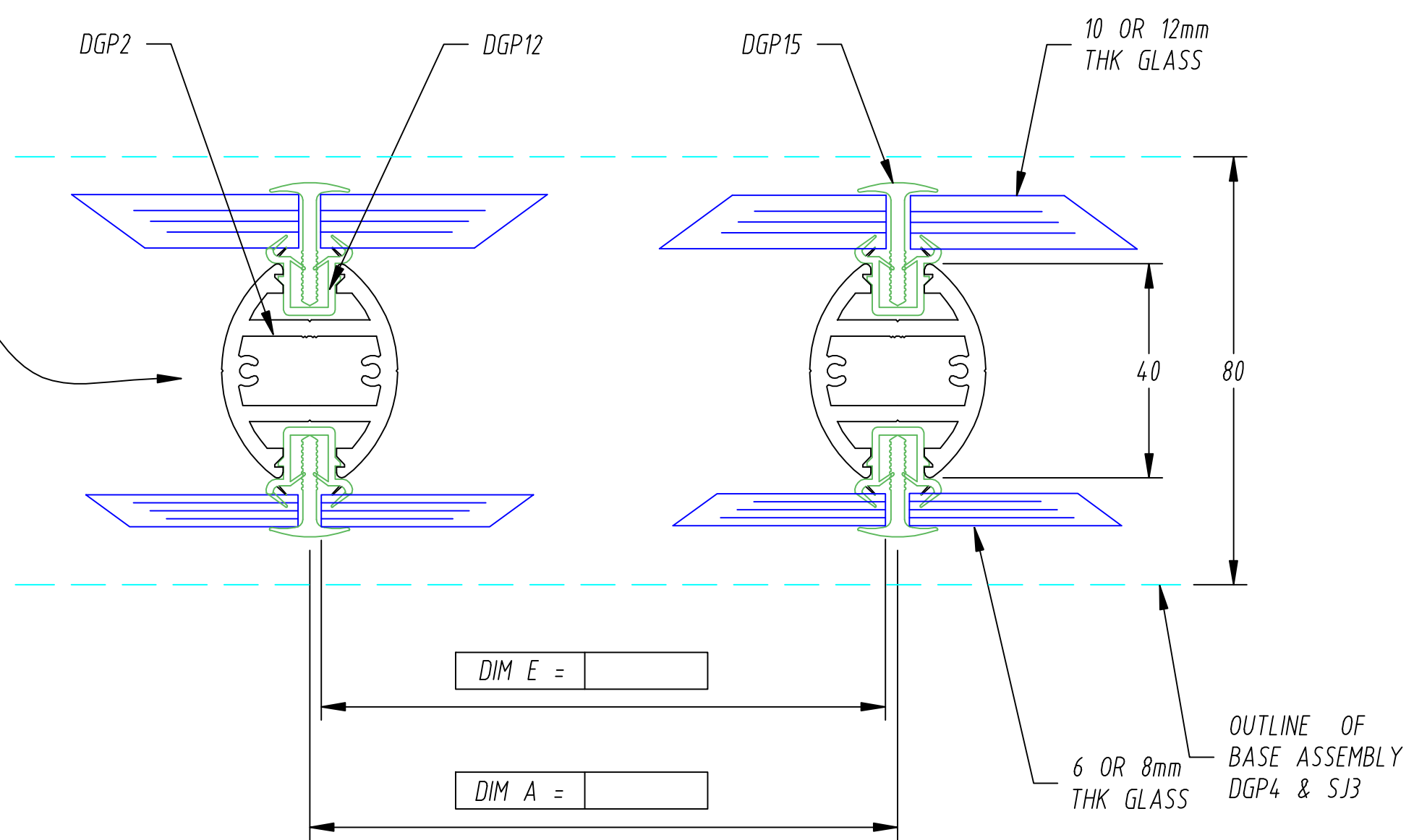
KOMFORT WORKSPACE Plc  
WHITTLE WAY, CRAWLEY, WEST SUSSEX, RH10 9RT  
TEL : 01293 592500 WEB www.komfort.com

DO NOT SCALE IF IN DOUBT ASK

ISSUE	DESCRIPTION OF CHANGE	DATE	TITLE
		30:09:09	FULL HEIGHT DOUBLE GLAZED MODULE
			VERTICAL DETAIL
MATERIAL :		CHKD	DRAWING No
FINISH :		BJP	14007
		SCALE	ISSUE
		1:1	2

CORRIDOR

CAVITY WILL ACCEPT  
15 & 25mm VENETIAN BLINDS



THIS IS A NON FIRE PERFORMANCE ASSEMBLY

ALL GLASS MUST CONFORM TO  
BS 6262 & DOCUMENT  
'N' BUILDING REGULATIONS

DOUBLE GLAZED GLASS COMBINATIONS  
GIVEN ARE USED TO A MAXIMUM HEIGHT OF 3000mm.

MANIFESTATION 1500mm FROM THE FINISHED  
FLOOR LEVEL MUST BE INSTALLED IN ACCORDANCE  
WITH DOCUMENT 'N' BUILDING REGULATIONS  
WHEN BLINDS ARE NOT INCLUDED

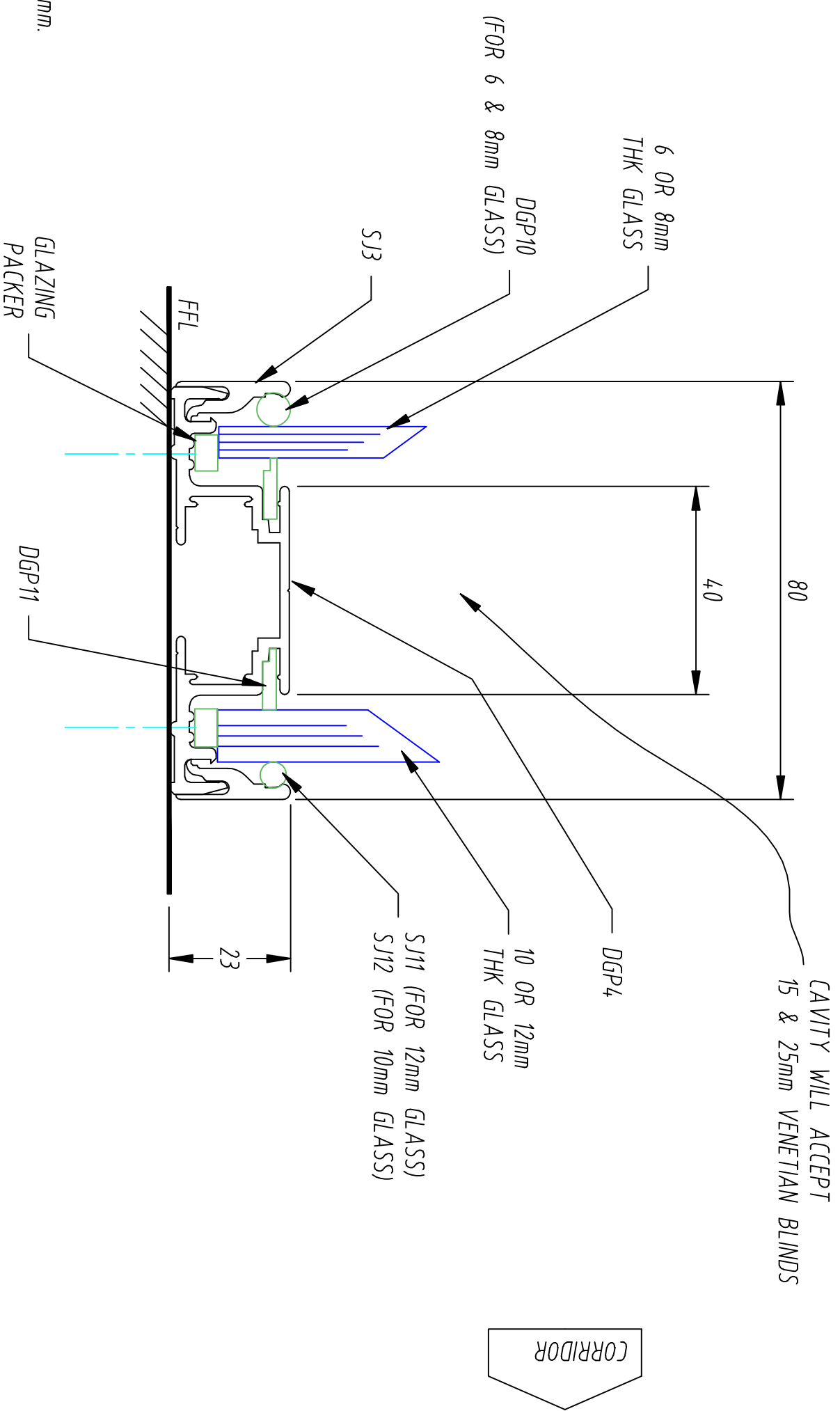
ALL DIMENSIONS ARE IN mm & NOMINAL

DIM A = MODULE CENTRES  
DIM E = GLASS WIDTH (MAXIMUM SIZE 1500)  
DIM A = E + 6 NOM



© COPYRIGHT & DESIGN 2009 PROPERTY OF  
KOMFORT WORKSPACE Plc  
WHITTLE WAY, CRAWLEY, WEST SUSSEX, RH10 9RT  
TEL : 01293 592500 WEB www.komfort.com  
DO NOT SCALE IF IN DOUBT ASK

		DATE	30:09:09	TITLE	DOUBLE GLAZED POLAR HORIZONTAL DETAIL	
ISSUE	DESCRIPTION OF CHANGE	DRAWN	SSG	DRAWING No	14003	
MATERIAL :		CHKD	BJP	ISSUE	3	
FINISH :		SCALE	1:1			



THIS IS A NON FIRE PERFORMANCE ASSEMBLY

ALL GLASS MUST CONFORM TO  
BS 6262 & DOCUMENT  
'N' BUILDING REGULATIONS

DOUBLE GLAZED GLASS COMBINATIONS  
GIVEN ARE USED TO A MAXIMUM HEIGHT OF 3000mm.

MANIFESTATION 1500mm FROM THE FINISHED  
FLOOR LEVEL MUST BE INSTALLED IN ACCORDANCE  
WITH DOCUMENT 'N' BUILDING REGULATIONS  
WHEN BLINDS ARE NOT INCLUDED

ALL DIMENSIONS ARE IN mm & NOMINAL

© COPYRIGHT & DESIGN 2009 PROPERTY OF

KOMFORT WORKSPACE Plc  
WHITTLE WAY, CRAWLEY, WEST SUSSEX, RH10 9RT  
TEL : 01293 592500 WEB www.komfort.com

DO NOT SCALE IF IN DOUBT ASK

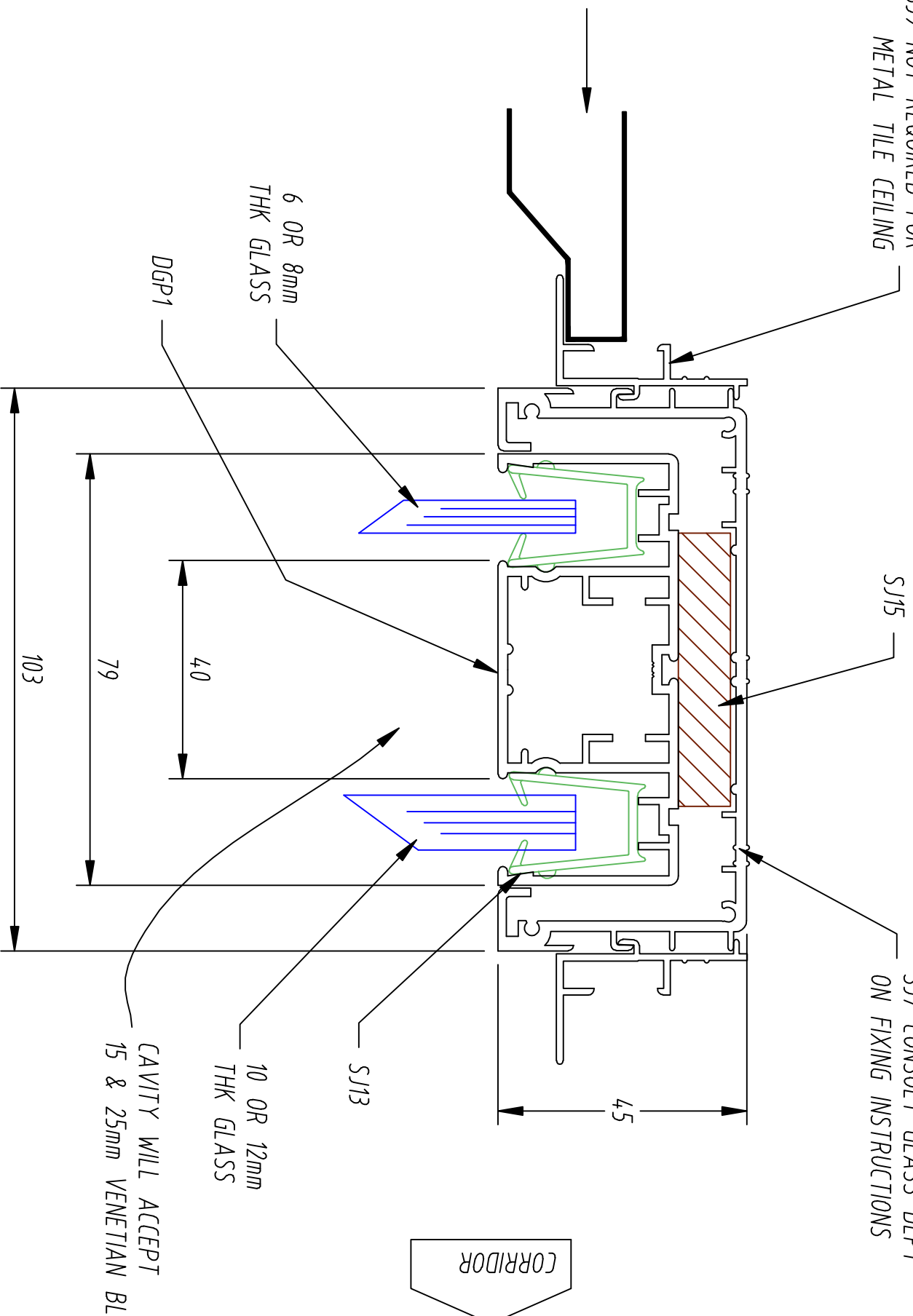
ISSUE	DESCRIPTION OF CHANGE	DATE	TITLE
		30:09:09	DOUBLE GLAZED POLAR BASE DETAIL
		DRAWN SSG	
MATERIAL :		CHKD BJP	DRAWING No 14006
FINISH :		SCALE 1:1	ISSUE 2

SJ9 TO BE LATCHED ONTO UPPER HOOK WHEN TEGULAR MINERAL CEILING TILES ARE USED IN CONJUNCTION WITH FULL HEIGHT GLASS DOORS

SJ9 NOT REQUIRED FOR METAL TILE CEILING

SJ15

SJ7 CONSULT GLASS DEPT ON FIXING INSTRUCTIONS



THIS IS A NON FIRE PERFORMANCE ASSEMBLY

ALL GLASS MUST CONFORM TO BS 6262 & DOCUMENT 'N' BUILDING REGULATIONS

DOUBLE GLAZED GLASS COMBINATIONS GIVEN ARE USED TO A MAXIMUM HEIGHT OF 3000mm.

MANIFESTATION 1500mm FROM THE FINISHED FLOOR LEVEL MUST BE INSTALLED IN ACCORDANCE WITH DOCUMENT 'N' BUILDING REGULATIONS WHEN BLINDS ARE NOT INCLUDED

FOR ALTERNATIVE HEAD ASSEMBLY SEE DEATAILS 14004 & 14031

ALL DIMENSIONS ARE IN mm & NOMINAL

© COPYRIGHT & DESIGN 2009 PROPERTY OF

KOMFORT WORKSPACE Plc  
WHITTLE WAY, CRAWLEY, WEST SUSSEX, RH10 9RT  
TEL : 01293 592500 WEB www.komfort.com

DO NOT SCALE IF IN DOUBT ASK

ISSUE	DESCRIPTION OF CHANGE	DATE	DRAWN	CHKD	SCALE	TITLE	DRAWING No	ISSUE
		30.09.09	SSG	BJP	1:1	DOUBLE GLAZED POLAR DOUBLE GLAZED INTERGRATED HEAD DETAIL	14005	2
MATERIAL :						FINISH :		



CORRIDOR

CAVITY WILL ACCEPT 15 & 25mm VENETIAN BLINDS

OUTLINE OF BASE ASSEMBLY DGP4 & SJ3

10 OR 12mm THK GLASS

6 OR 8mm THK GLASS

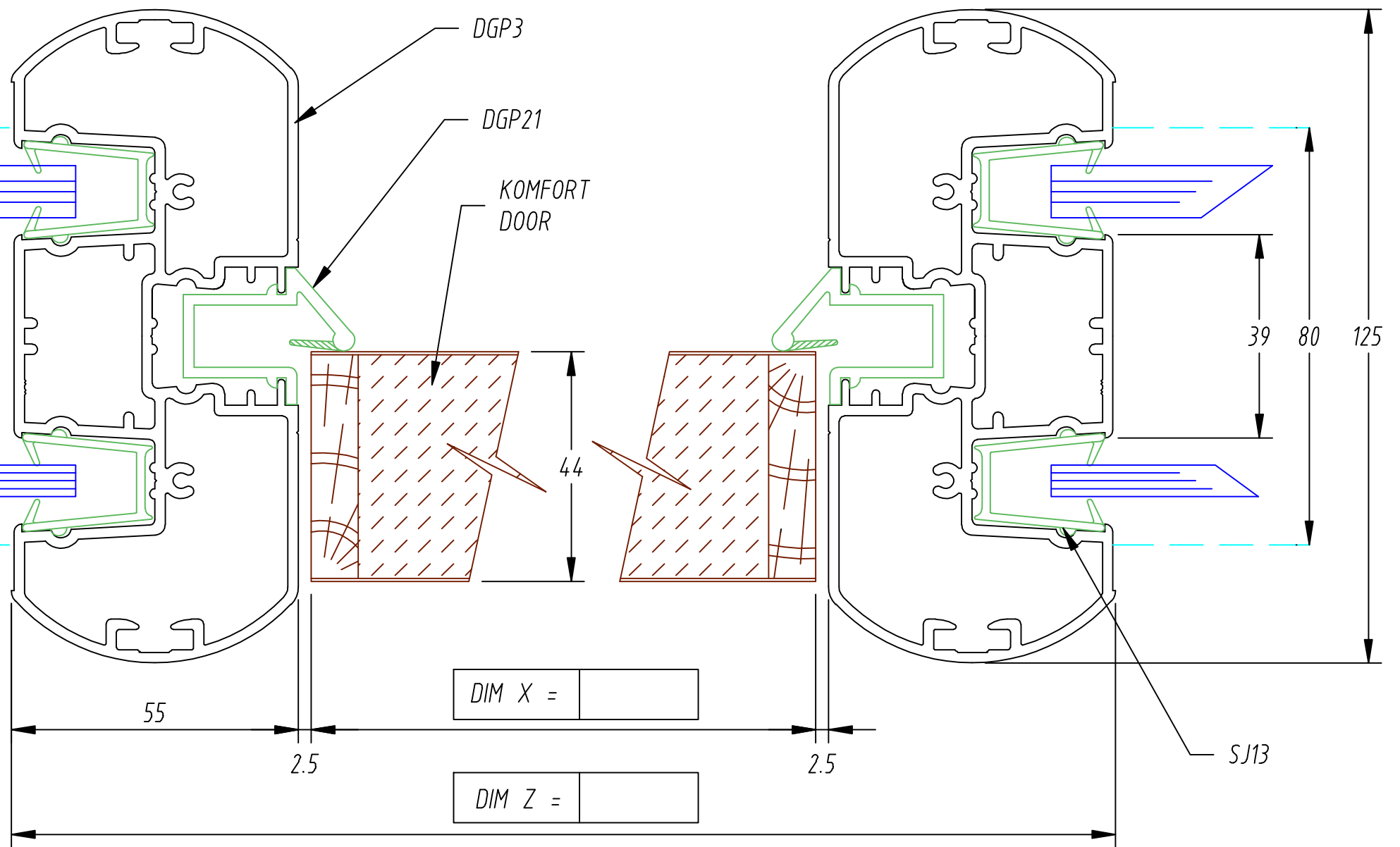
DGP3

DGP21

KOMFORT DOOR

39 80 125

SJ3



DIM X =

DIM Z =

THIS IS A NON FIRE PERFORMANCE ASSEMBLY

ALL GLASS MUST CONFORM TO BS 6262 & DOCUMENT 'N' BUILDING REGULATIONS

DOUBLE GLAZED GLASS COMBINATIONS GIVEN ARE USED TO A MAXIMUM HEIGHT OF 3000mm.

MANIFESTATION 1500mm FROM THE FINISHED FLOOR LEVEL MUST BE INSTALLED IN ACCORDANCE WITH DOCUMENT 'N' BUILDING REGULATIONS WHEN BLINDS ARE NOT INCLUDED

ALL DIMENSIONS ARE IN mm & NOMINAL

x INCLUDES 2mm GAP BETWEEN DOORS

TYPE	DOOR WIDTH	DISTANCE BETWEEN DGP4 & SJ3 BASE CHANNEL
		Z = X + 115
SINGLE	X	Z
	762	877
	826	941
HOSPITAL	838	953
	1145x ( 1 1/2 x 762 )	1265
DOUBLE	1259x ( 1 1/2 x 838 )	1379
	1526x ( 2 x 762 )	1646
	1678x ( 2 x 838 )	1798



© COPYRIGHT & DESIGN 2009 PROPERTY OF  
 KOMFORT WORKSPACE Plc  
 WHITTLE WAY, CRAWLEY, WEST SUSSEX, RH10 9RT  
 TEL : 01293 592500 WEB www.komfort.com  
 DO NOT SCALE IF IN DOUBT ASK

DATE	30.09.09	TITLE	TIMBER DOOR MODULE IN DOUBLE GLAZED POLAR HORIZONTAL DETAIL	ISSUE	2
ISSUE		DESCRIPTION OF CHANGE		DRAWING No	14002
MATERIAL :		CHKD	BJP		
FINISH :		SCALE	1:1		

CORRIDOR

CAVITY WILL ACCEPT 15 & 25mm VENETIAN BLINDS

OUTLINE OF BASE ASSEMBLY DGP4 & SJ3

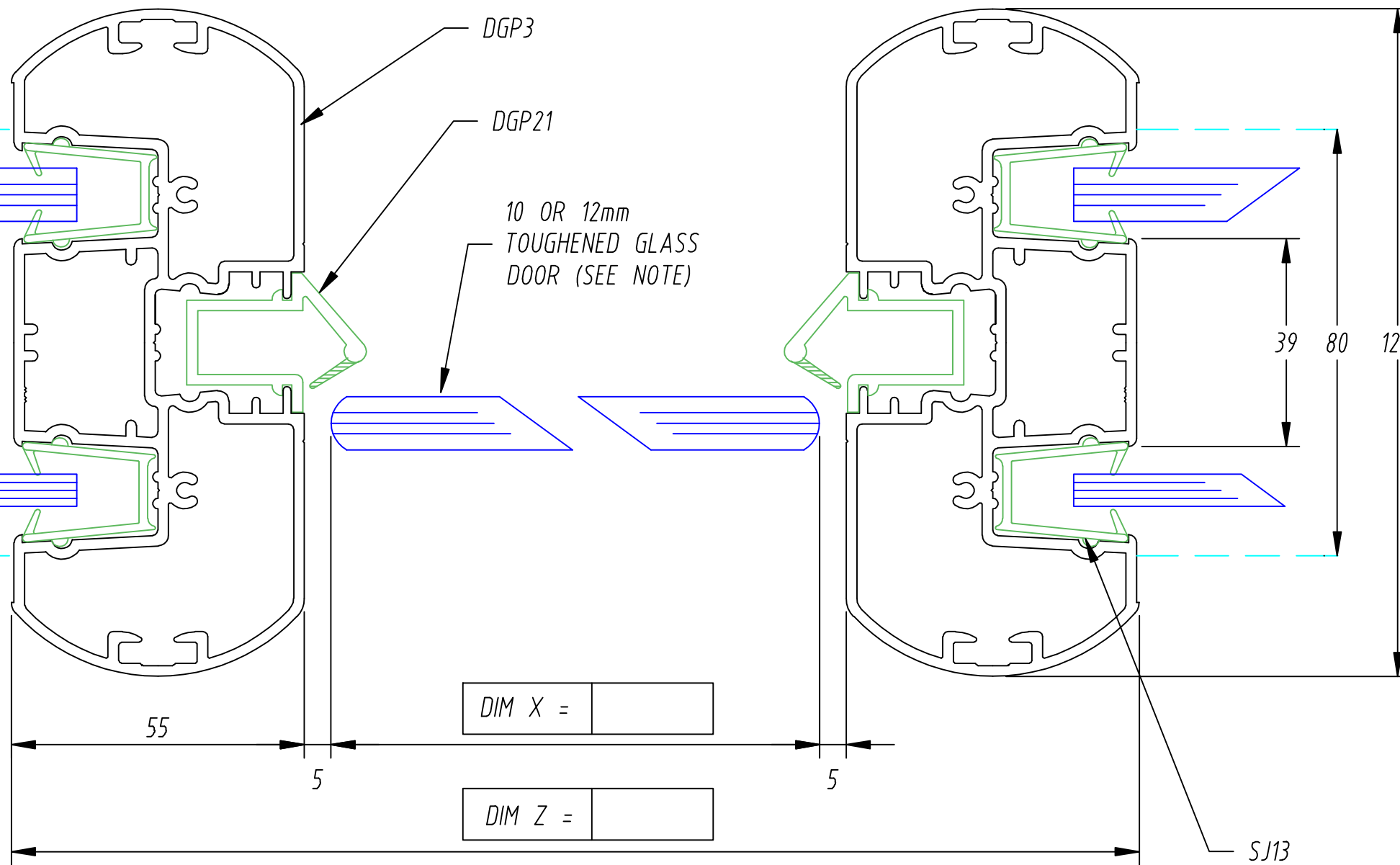
10 OR 12mm THK GLASS

6 OR 8mm THK GLASS

DGP3

DGP21

10 OR 12mm TOUGHENED GLASS DOOR (SEE NOTE)



THIS IS A NON FIRE PERFORMANCE ASSEMBLY

ALL GLASS MUST CONFORM TO BS 6262 & DOCUMENT 'N' BUILDING REGULATIONS

DOUBLE GLAZED GLASS COMBINATIONS GIVEN ARE USED TO A MAXIMUM HEIGHT OF 3000mm.

MANIFESTATION 1500mm FROM THE FINISHED FLOOR LEVEL MUST BE INSTALLED IN ACCORDANCE WITH DOCUMENT 'N' BUILDING REGULATIONS WHEN BLINDS ARE NOT INCLUDED IN PARTITION AND SUBJECT TO IRONMONGERY INSTALLED MAY BE REQUIRED TO GLASS DOOR

ALL DIMENSIONS ARE IN mm & NOMINAL

12mm GLASS USED TO A MAXIMUM HEIGHT OF 3000mm  
10mm GLASS USED TO A MAXIMUM HEIGHT OF 2440mm

DOOR WIDTH DIM X	DISTANCE BETWEEN DGP4 & SJ3 BASE CHANNEL DIM Z
835 (SINGLE)	955



© COPYRIGHT & DESIGN 2009 PROPERTY OF  
KOMFORT WORKSPACE Plc  
WHITTLE WAY, CRAWLEY, WEST SUSSEX, RH10 9RT  
TEL : 01293 592500 WEB www.komfort.com  
DO NOT SCALE IF IN DOUBT ASK

ISSUE	DESCRIPTION OF CHANGE	DATE	30:09:09	TITLE	GLASS DOOR MODULE IN DOUBLE GLAZED POLAR HORIZONTAL DETAIL
		DRAWN	SSG	DRAWING No	14001
		CHKD	BJP	ISSUE	3
		FINISH :	SCALE	1:1	